

Product Data Sheets for Siemens
NEMA Control Product Accessories
Class 49, 75 and CLM
Volume 2

Revision Date 2018-2-27

www.datasheet.club

Table of Contents

49AB01	5
49AB01EB	7
49AB01LB.....	9
49AB01XLB	10
49AB10	12
49AB10XLM.....	15
49AB11	17
49AB20	19
49AB22	21
49AB31	23
49AB40	25
49CAL18-11B	27
49D41149006	28
49D45584002	30
49LCAC1PA.....	32
49LCAC2PA.....	34
49LCCM*A	35
49LCCP*A	37
49MARB.....	38
49MARSR	39
49MBRS	40
49MBRS1	41
49MBRS2	42
49MZPB2	43
49SBLBL.....	44
75D28182001	45
CLM4097291	47
CLM4097292	49
CLM409733*	50
CLM437977*	51
CLM437978*	53
CLM437979*	56
CLMFCAK02.....	58
CLMFCAK11.....	60

CLMFCAK20	62
CLMFCCK11	63
CLMHCAK02.....	66
CLMHCAK11.....	68
CLMHCAK20.....	70
CLMHCCCK11.....	72

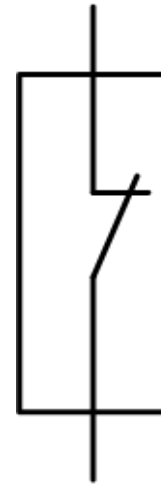
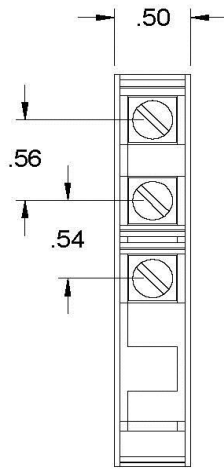
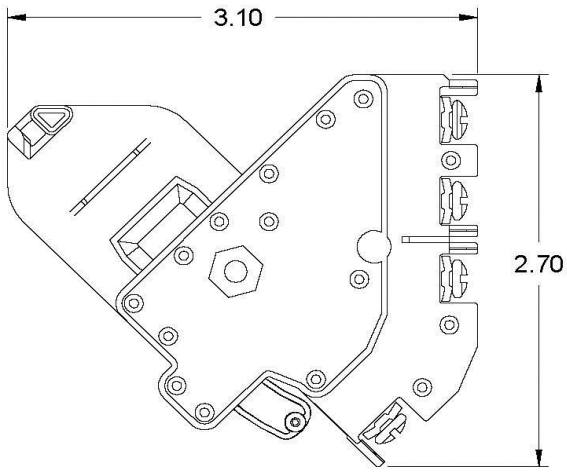


NEMA Contact Block 1NC
Side Mounted Screw Terminal
Size 00-4 for Contactors/Starters
For use on class 14, 22, 30, 40, and 43 Contactors/Starters



Image is representative and may not depict the actual product.

General technical data:	
Weight	.070 lb
Height x Width x Depth	2.70 x 0.50 x 3.10 in.
Finger-safe	No
Maximum altitude	6560 ft
Ambient storage temperature	(-55 to 80)°C / (-67 to 176)°F
Ambient operating temperature	(-35 to 75)°C / (-31 to 167)°F
Humidity (% non-condensing)	(no data)
Rated impulse voltage resistance	(no data)
Rated insulation voltage	(no data)
Country of origin	Mexico
Acceptability for application	Control Power Relay
Number of NC contacts	1
Number of NO contacts	0
Operating Current at A600:	
Continuous current	10A
120 VAC	60A Make / 6A Break
240 VAC	30A Make / 3A Break
480 VAC	15A Make / 1.5A Break
600 VAC	12A Make / 1.2A Break
Voltamperes	7200 Make / 720 Break
Operating Current at P600:	
Continuous current	5.0A
125 VDC	1.1A Make / 1.1A Break
250 VDC	0.55A Make / 0.55A Break
301 to 600 VDC	0.20A Make / 0.20A Break
Voltamperes	138 Make / 138 Break
Mounting/wiring:	
Mounting orientation	Side
Mounting type	Snap-on mounting
Connection type / torque	Screw / 7-10 in-lb
Solid & stranded conductors	1x(10-20 AWG) or 2x(14-22 AWG) CU 75°C
Certificates/approvals:	
	UL (file no. E14900)
	cUL (file no. E14900 for Canada)
	CSA (file no. LR 6535)
	ISO 9001 certification
Additional information:	
	Instruction Sheet



1 NC

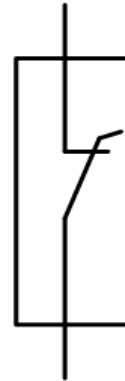
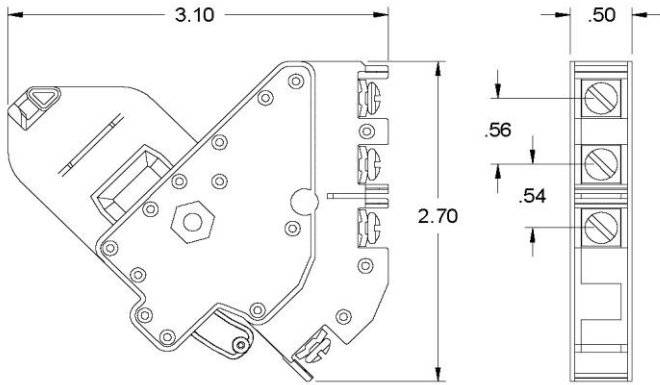


NEMA Contact Block 1NC Early Break
Side Mounted Screw Terminal
Size 00-4 for Contactors/Starters
For use on class 14, 22, 30, 40, and 43 Contactors/Starters



Image is representative and may not depict the actual product.

General technical data:	
Weight	.070 lb
Height x Width x Depth	2.70 x 0.50 x 3.10 in
Finger-safe	No
Maximum altitude	6560 ft
Ambient storage temperature	(-55 to 80)°C / (-67 to 176)°F
Ambient operating temperature	(-35 to 75)°C / (-31 to 167)°F
Humidity (% non-condensing)	(no data)
Rated impulse voltage resistance	(no data)
Rated insulation voltage	(no data)
Country of origin	Mexico
Acceptability for application	Control Power Relay
Number of NC contacts	0
Number of NO contacts	1
Operating Current at A600:	
Continuous current	10A
120 VAC	60A Make / 6A Break
240 VAC	30A Make / 3A Break
480 VAC	15A Make / 1.5A Break
600 VAC	12A Make / 1.2A Break
Voltamperes	7200 Make / 720 Break
Operating Current at P600:	
Continuous current	5.0A
125 VDC	1.1A Make / 1.1A Break
250 VDC	0.55A Make / 0.55A Break
301 to 600 VDC	0.20A Make / 0.20A Break
Voltamperes	138 Make / 138 Break
Mounting/wiring:	
Mounting orientation	Side
Mounting type	Snap-on mounting
Connection type / torque	Screw / 7-10 in-lb
Solid & stranded conductors	1x(10-20 AWG or 2x(14-22 AWG) CU 75°C
Certificates/approvals:	
	UL (file no. E14900)
	cUL (file no. E14900 for Canada)
	CSA (file no. LR 6535)
	ISO 9001 certification
Additional information:	
	Instruction Sheet



1 NC Early Break

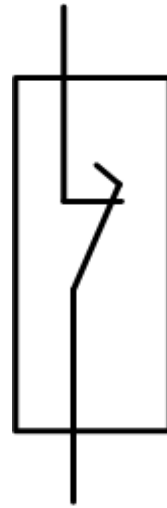
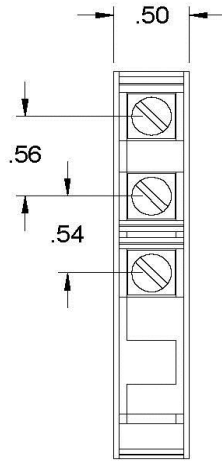
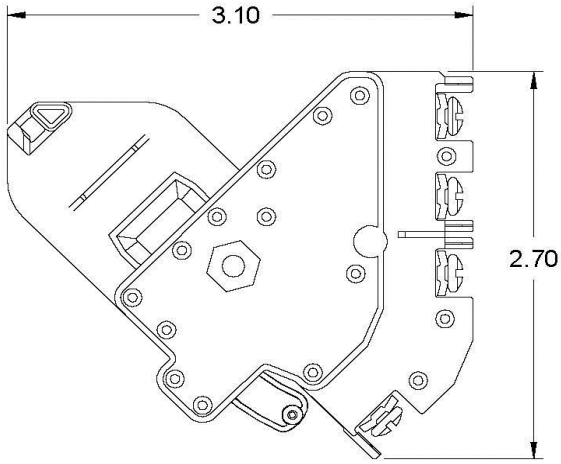


NEMA Contact Block 1NC Late Break
Side Mounted Screw Terminal
Size 00-4 for Contactors/Starters
For use on class 14, 22, 30, 40, and 43 Contactors/Starters



Image is representative and may not depict the actual product.

General technical data:	
Weight	.070 lb
Height x Width x Depth	2.70 0.50 x 3.10 in
Finger-safe	No
Maximum altitude	6560 ft
Ambient storage temperature	(-55 to 80)°C / (-67 to 176)°F
Ambient operating temperature	(-35 to 75)°C / (-31 to 167)°F
Humidity (% non-condensing)	(no data)
Rated impulse voltage resistance	(no data)
Rated insulation voltage	(no data)
Country of origin	Mexico
Acceptability for application	Control Power Relay
Number of NC contacts	1
Number of NO contacts	0
Operating Current at A600:	
Continuous current	10A
120 VAC	60A Make / 6A Break
240 VAC	30A Make / 3A Break
480 VAC	15A Make / 1.5A Break
600 VAC	12A Make / 1.2A Break
Voltamperes	7200 Make / 720 Break
Operating Current at P600:	
Continuous current	5.0A
125 VDC	1.1A Make / 1.1A Break
250 VDC	0.55A Make / 0.55A Break
301 to 600 VDC	0.20A Make / 0.20A Break
Voltamperes	138 Make / 138 Break
Mounting/wiring:	
Mounting orientation	Side
Mounting type	Snap-on mounting
Connection type / torque	Screw / 7-10 in-lb
Solid & stranded conductors	1x(10-20 AWG or 2x(14-22 AWG) CU 75°C
Certificates/approvals:	
	UL (file no. E14900)
	cUL (file no. E14900 for Canada)
	CSA (file no. LR 6535)
	ISO 9001 certification
Additional information:	
	Instruction Sheet



1 NC Late Break

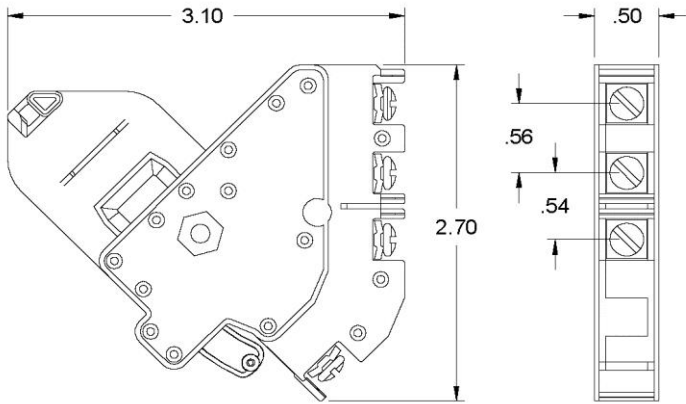


NEMA Contact Block 1NC Extra Late Break
Side Mounted Screw Terminal
Size 00-4 for Contactors/Starters
For use on class 14, 22, 30, 40, and 43 Contactors/Starters



Image is representative and may not depict the actual product.

General technical data:	
Weight	.070 lb
Height x Width x Depth	2.70 x 0.50 x 3.10 in
Finger-safe	No
Maximum altitude	6560 ft
Ambient storage temperature	(-55 to 80)°C / (-67 to 176)°F
Ambient operating temperature	(-35 to 75)°C / (-31 to 167)°F
Humidity (% non-condensing)	(no data)
Rated impulse voltage resistance	(no data)
Rated insulation voltage	(no data)
Country of origin	Mexico
Acceptability for application	Control Power Relay
Number of NC contacts	1
Number of NO contacts	0
Operating Current at A600:	
Continuous current	10A
120 VAC	60A Make / 6A Break
240 VAC	30A Make / 3A Break
480 VAC	15A Make / 1.5A Break
600 VAC	12A Make / 1.2A Break
Voltamperes	7200 Make / 720 Break
Operating Current at P600:	
Continuous current	5.0A
125 VDC	1.1A Make / 1.1A Break
250 VDC	0.55A Make / 0.55A Break
301 to 600 VDC	0.20A Make / 0.20A Break
Voltamperes	138 Make / 138 Break
Mounting/wiring:	
Mounting orientation	Side
Mounting type	Snap-on mounting
Connection type / torque	Screw / 7-10 in-lb
Solid & stranded conductors	1x(10-20 AWG or 2x(14-22 AWG) CU 75°C
Certificates/approvals:	
	UL (file no. E14900)
	cUL (file no. E14900 for Canada)
	CSA (file no. LR 6535)
	ISO 9001 certification
Additional information:	
	Instruction Sheet



1 NC Extra Late Break

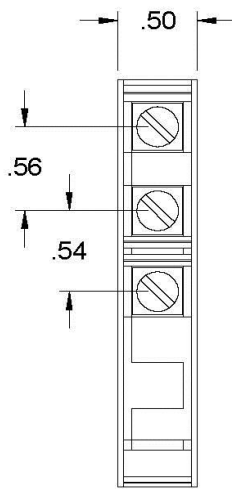
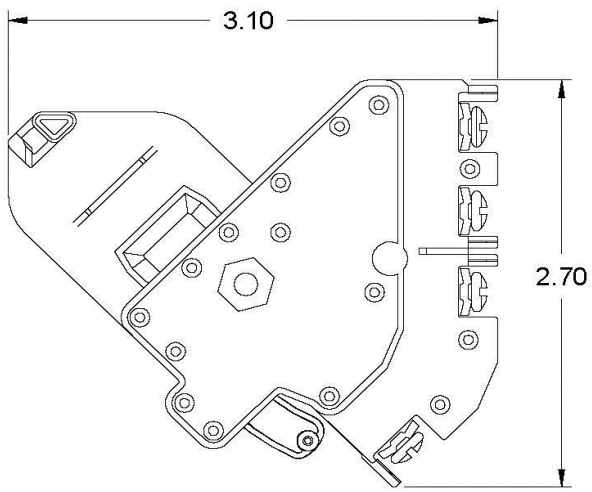


NEMA Contact Block 1NO
Side Mounted Screw Terminal
Size 00-4 for Contactors/Starters
For use on class 14, 22, 30, 40, and 43 Contactors/Starters



Image is representative and may not depict the actual product.

General technical data:	
Weight	.070 lb
Height x Width x Depth	2.70 x 0.50 x 3.10 in.
Finger-safe	No
Maximum altitude	6560 ft
Ambient storage temperature	(-55 to 80)°C / (-67 to 176)°F
Ambient operating temperature	(-35 to 75)°C / (-31 to 167)°F
Humidity (% non-condensing)	(no data)
Rated impulse voltage resistance	(no data)
Rated insulation voltage	(no data)
Country of origin	Mexico
Acceptability for application	Control Power Relay
Number of NC contacts	0
Number of NO contacts	1
Operating Current at A600:	
Continuous current	10A
120 VAC	60A Make / 6A Break
240 VAC	30A Make / 3A Break
480 VAC	15A Make / 1.5A Break
600 VAC	12A Make / 1.2A Break
Voltamperes	7200 Make / 720 Break
Operating Current at P600:	
Continuous current	5.0A
125 VDC	1.1A Make / 1.1A Break
250 VDC	0.55A Make / 0.55A Break
301 to 600 VDC	0.20A Make / 0.20A Break
Voltamperes	138 Make / 138 Break
Mounting/wiring:	
Mounting orientation	Side
Mounting type	Snap-on mounting
Connection type / torque	Screw / 7-10 in-lb
Solid & stranded conductors	1x(10-20 AWG or 2x(14-22 AWG) CU 75°C
Certificates/approvals:	
	UL (file no. E14900)
	cUL (file no. E14900 for Canada)
	CSA (file no. LR 6535)
	ISO 9001 certification
Additional information:	
	Instruction Sheet



1 NO

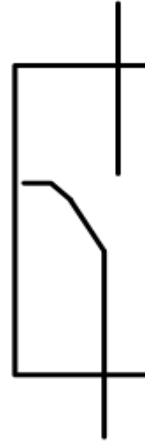
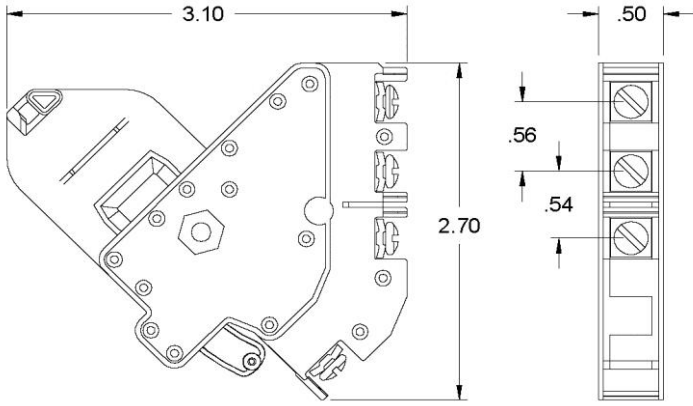


NEMA Contact Block 1NO Extra Late Make
Side Mounted Screw Terminal
Size 00-4 for Contactors/Starters
For use on class 14, 22, 30, 40, and 43 Contactors/Starters



Image is representative and may not depict the actual product.

General technical data:	
Weight	.070 lb
Height x Width x Depth	2.70 x 0.50 x 3.10 in.
Finger-safe	No
Maximum altitude	6560 ft
Ambient storage temperature	(-55 to 80)°C / (-67 to 176)°F
Ambient operating temperature	(-35 to 75)°C / (-31 to 167)°F
Humidity (% non-condensing)	(no data)
Rated impulse voltage resistance	(no data)
Rated insulation voltage	(no data)
Country of origin	Mexico
Acceptability for application	Control Power Relay
Number of NC contacts	0
Number of NO contacts	1
Operating Current at A600:	
Continuous current	10A
120 VAC	60A Make / 6A Break
240 VAC	30A Make / 3A Break
480 VAC	15A Make / 1.5A Break
600 VAC	12A Make / 1.2A Break
Voltamperes	7200 Make / 720 Break
Operating Current at P600:	
Continuous current	5.0A
125 VDC	1.1A Make / 1.1A Break
250 VDC	0.55A Make / 0.55A Break
301 to 600 VDC	0.20A Make / 0.20A Break
Voltamperes	138 Make / 138 Break
Mounting/wiring:	
Mounting orientation	Side
Mounting type	Snap-on mounting
Connection type / torque	Screw / 7-10 in-lb
Solid & stranded conductors	1x(10-20 AWG or 2x(14-22 AWG) CU 75°C
Certificates/approvals:	
	UL (file no. E14900)
	cUL (file no. E14900 for Canada)
	CSA (file no. LR 6535)
	ISO 9001 certification
Additional information:	
	Instruction Sheet



1 NO Extra Late Make

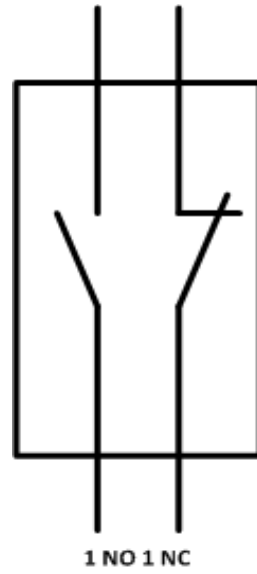
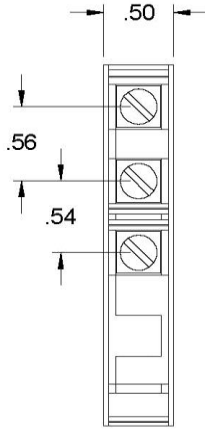
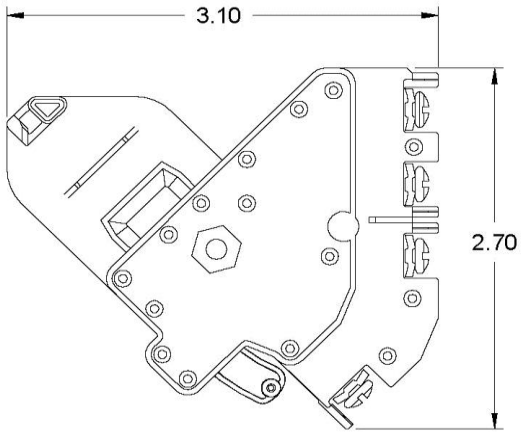


NEMA Contact Block 1NO / 1NC
Side Mounted Screw Terminal
Size 00-4 for Contactors/Starters
For use on class 14, 22, 30, 40 and 43 Contactors/Starters



Image is representative and may not depict the actual product.

General technical data:	
Weight	.070 lb
Height x Width x Depth	2.70 x 0.50 x 3.10 in.
Finger-safe	No
Maximum altitude	6560 ft
Ambient storage temperature	(-55 to 80)°C / (-67 to 176)°F
Ambient operating temperature	(-35 to 75)°C / (-31 to 167)°F
Humidity (% non-condensing)	(no data)
Rated impulse voltage resistance	(no data)
Rated insulation voltage	(no data)
Country of origin	Mexico
Acceptability for application	Control Power Relay
Number of NC contacts	1
Number of NO contacts	1
Operating Current at A600:	
Continuous current	10A
120 VAC	60A Make / 6A Break
240 VAC	30A Make / 3A Break
480 VAC	15A Make / 1.5A Break
600 VAC	12A Make / 1.2A Break
Voltamperes	7200 Make / 720 Break
Operating Current at P600:	
Continuous current	5.0A
125 VDC	1.1A Make / 1.1A Break
250 VDC	0.55A Make / 0.55A Break
301 to 600 VDC	0.20A Make / 0.20A Break
Voltamperes	138 Make / 138 Break
Mounting/wiring:	
Mounting orientation	Side
Mounting type	Snap-on mounting
Connection type / torque	Screw / 7-10 in-lb
Solid & stranded conductors	1x(10-20 AWG or 2x(14-22 AWG) CU 75°C
Certificates/approvals:	
	UL (file no. E14900)
	cUL (file no. E14900 for Canada)
	CSA (file no. LR 6535)
	ISO 9001 certification
Additional information:	
	Instruction Sheet



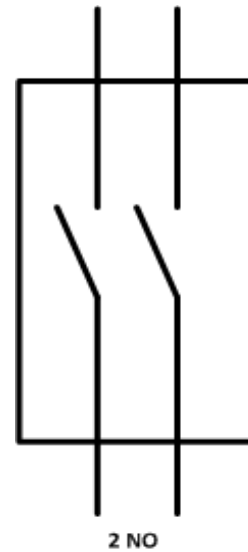
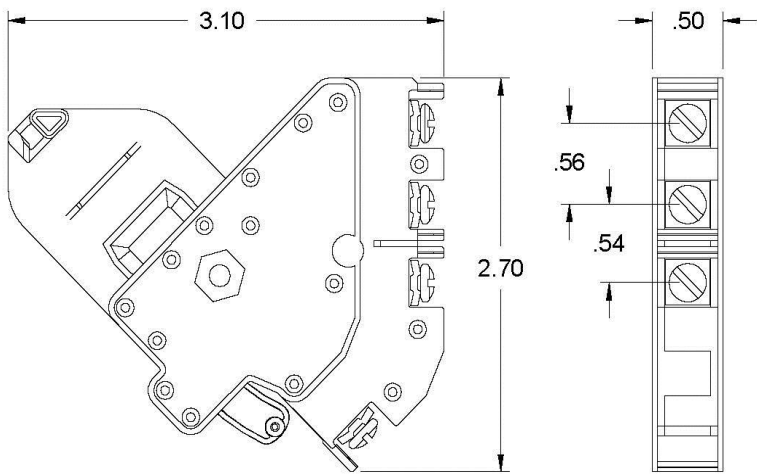


NEMA Contact Block 2NO
Side Mounted Screw Terminal
Size 00-4 for Contactors/Starters
For use with class 14, 22, 30, 40, and 43 Contactors/Starters



Image is representative and may not depict the actual product.

General technical data:	
Weight	.070 lb
Height x Width x Depth	2.70 x 0.50 x 3.10 in
Finger-safe	No
Maximum altitude	6560 ft
Ambient storage temperature	(-55 to 80)°C / (-67 to 176)°F
Ambient operating temperature	(-35 to 75)°C / (-31 to 167)°F
Humidity (% non-condensing)	(no data)
Rated impulse voltage resistance	(no data)
Rated insulation voltage	(no data)
Country of origin	Mexico
Acceptability for application	Control Power Relay
Number of NC contacts	0
Number of NO contacts	2
Operating Current at A600:	
Continuous current	10A
120 VAC	60A Make / 6A Break
240 VAC	30A Make / 3A Break
480 VAC	15A Make / 1.5A Break
600 VAC	12A Make / 1.2A Break
Voltamperes	7200 Make / 720 Break
Operating Current at P600:	
Continuous current	5.0A
125 VDC	1.1A Make / 1.1A Break
250 VDC	0.55A Make / 0.55A Break
301 to 600 VDC	0.20A Make / 0.20A Break
Voltamperes	138 Make / 138 Break
Mounting/wiring:	
Mounting orientation	Side
Mounting type	Snap-on mounting
Connection type / torque	Screw / 7-10 in-lb
Solid & stranded conductors	1x(10-20 AWG or 2x(14-22 AWG) CU 75°C
Certificates/approvals:	
	UL (file no. E14900)
	cUL (file no. E14900 for Canada)
	CSA (file no. LR 6535)
	ISO 9001 certification
Additional information:	
	Instruction Sheet



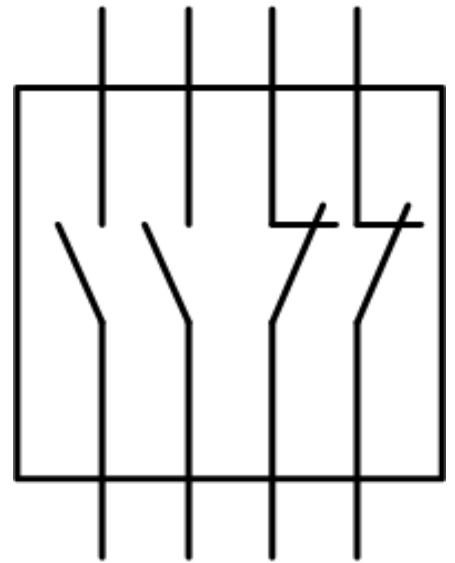
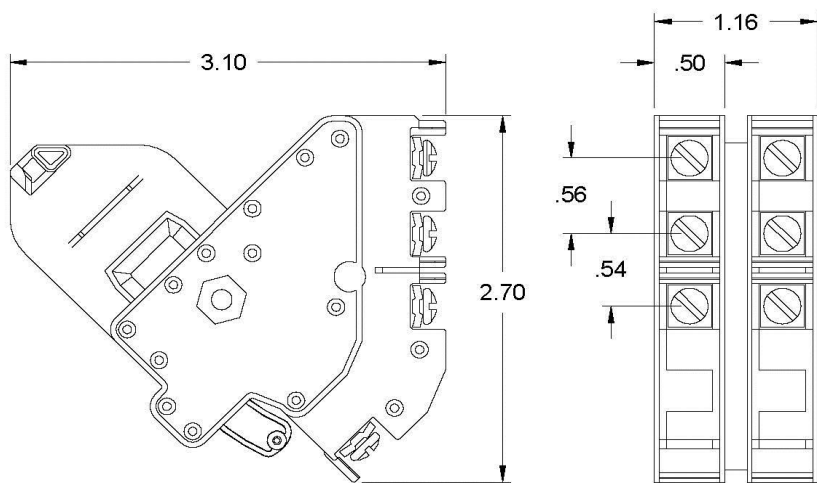


NEMA Contact Block 2NO / 2NC
Side Mounted Screw Terminal
Size 00-4 for Contactors/Starters
For use on class 14, 22, 30, 40, and 43



Image is representative and may not depict the actual product.

General technical data:	
Weight	.070 lb
Height x Width x Depth	2.70 x 1.16 x 3.10 in
Finger-safe	No
Maximum altitude	6560 ft
Ambient storage temperature	(-55 to 80)°C / (-67 to 176)°F
Ambient operating temperature	(-35 to 75)°C / (-31 to 167)°F
Humidity (% non-condensing)	(no data)
Rated impulse voltage resistance	(no data)
Rated insulation voltage	(no data)
Country of origin	Mexico
Acceptability for application	Control Power Relay
Number of NC contacts	2
Number of NO contacts	2
Operating Current at A600:	
Continuous current	10A
120 VAC	60A Make / 6A Break
240 VAC	30A Make / 3A Break
480 VAC	15A Make / 1.5A Break
600 VAC	12A Make / 1.2A Break
Voltamperes	7200 Make / 720 Break
Operating Current at P600:	
Continuous current	5.0A
125 VDC	1.1A Make / 1.1A Break
250 VDC	0.55A Make / 0.55A Break
301 to 600 VDC	0.20A Make / 0.20A Break
Voltamperes	138 Make / 138 Break
Mounting/wiring:	
Mounting orientation	Side
Mounting type	Snap-on mounting
Connection type / torque	Screw / 7-10 in-lb
Solid & stranded conductors	Single wire: 10-20 AWG / Two wires: 14-22 AWG (75°C/167°F)
Certificates/approvals:	
	UL (file no. E14900)
	cUL (file no. E14900 for Canada)
	CSA (file no. LR 6535)
	ISO 9001 certification
Additional information:	
	Instruction Sheet



2 NO 2NC

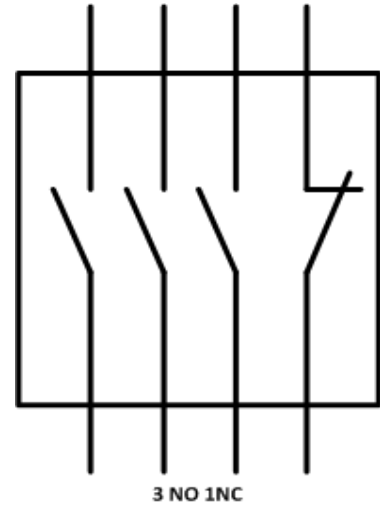
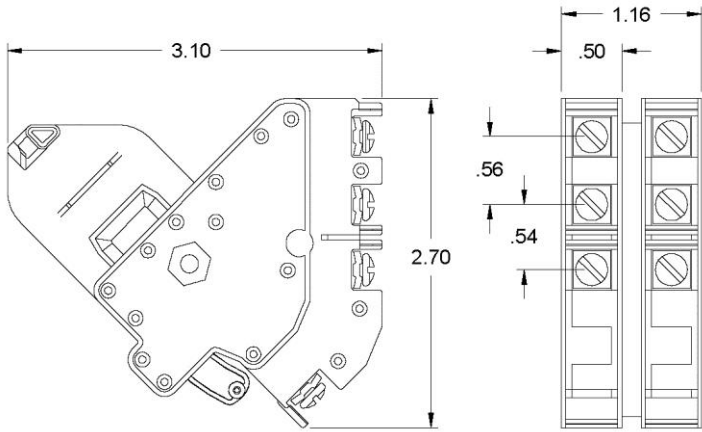


NEMA Contact Block 3NO / 1NC
Side Mounted Screw Terminal
Size 00-4 for Contactors/Starters
For use on class 14, 22, 30, 40, and 43 Contactors/Starters



Image is representative and may not depict the actual product.

General technical data:	
Weight	.070 lb
Height x Width x Depth	2.70 x 1.16 x 3.10 in.
Finger-safe	No
Maximum altitude	6560 ft
Ambient storage temperature	(-55 to 80)°C / (-67 to 176)°F
Ambient operating temperature	(-35 to 75)°C / (-31 to 167)°F
Humidity (% non-condensing)	(no data)
Rated impulse voltage resistance	(no data)
Rated insulation voltage	(no data)
Country of origin	Mexico
Acceptability for application	Control Power Relay
Number of NC contacts	1
Number of NO contacts	3
Operating Current at A600:	
Continuous current	10A
120 VAC	60A Make / 6A Break
240 VAC	30A Make / 3A Break
480 VAC	15A Make / 1.5A Break
600 VAC	12A Make / 1.2A Break
Voltamperes	7200 Make / 720 Break
Operating Current at P600:	
Continuous current	5.0A
125 VDC	1.1A Make / 1.1A Break
250 VDC	0.55A Make / 0.55A Break
301 to 600 VDC	0.20A Make / 0.20A Break
Voltamperes	138 Make / 138 Break
Mounting/wiring:	
Mounting orientation	Side
Mounting type	Snap-on mounting
Connection type / torque	Screw / 7-10 in-lb
Solid & stranded conductors	1x(10-20 AWG or 2x(14-22 AWG) CU 75°C
Certificates/approvals:	
	UL (file no. E14900)
	cUL (file no. E14900 for Canada)
	CSA (file no. LR 6535)
	ISO 9001 certification
Additional information:	
	Instruction Sheet



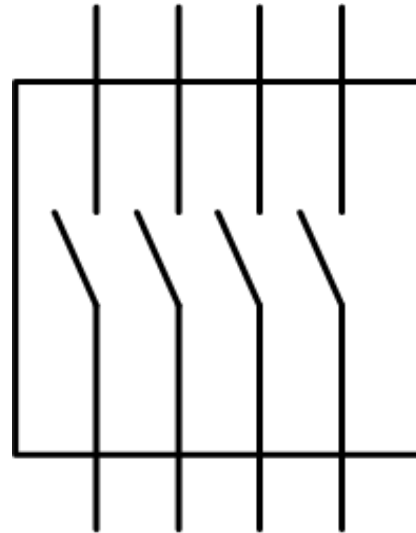
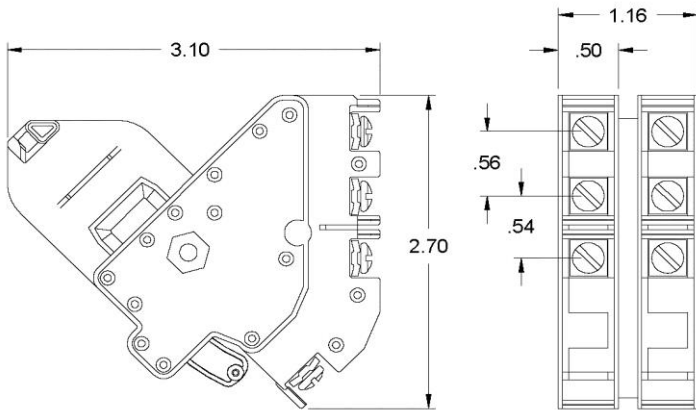


NEMA Contact Block 4NO
Side Mounted Screw Terminal
Size 00-4 for Contactors/Starters
For use on class 14, 22, 30, 40, and 43 Contactors/Starters



Image is representative and may not depict the actual product.

General technical data:	
Weight	.070 lb
Height x Width x Depth	2.70 x 1.16 x 3.10 in.
Finger-safe	No
Maximum altitude	6560 ft
Ambient storage temperature	(-55 to 80)°C / (-67 to 176)°F
Ambient operating temperature	(-35 to 75)°C / (-31 to 167)°F
Humidity (% non-condensing)	(no data)
Rated impulse voltage resistance	(no data)
Rated insulation voltage	(no data)
Country of origin	Mexico
Acceptability for application	Control Power Relay
Number of NC contacts	0
Number of NO contacts	4
Operating Current at A600:	
Continuous current	10A
120 VAC	60A Make / 6A Break
240 VAC	30A Make / 3A Break
480 VAC	15A Make / 1.5A Break
600 VAC	12A Make / 1.2A Break
Voltamperes	7200 Make / 720 Break
Operating Current at P600:	
Continuous current	5.0A
125 VDC	1.1A Make / 1.1A Break
250 VDC	0.55A Make / 0.55A Break
301 to 600 VDC	0.20A Make / 0.20A Break
Voltamperes	138 Make / 138 Break
Mounting/wiring:	
Mounting orientation	Side
Mounting type	Snap-on mounting
Connection type / torque	Screw / 7-10 in-lb
Solid & stranded conductors	1x(10-20 AWG or 2x(14-22 AWG) CU 75°C
Certificates/approvals:	
	UL (file no. E14900)
	cUL (file no. E14900 for Canada)
	CSA (file no. LR 6535)
	ISO 9001 certification
Additional information:	
	Instruction Sheet



4 NO

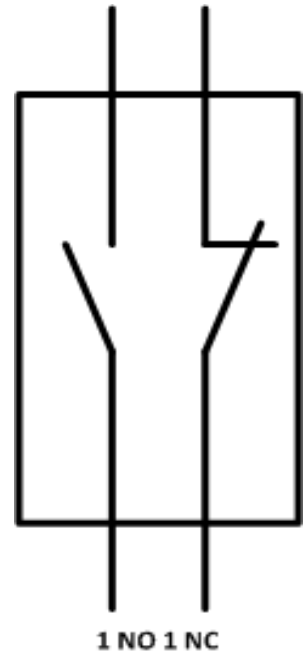
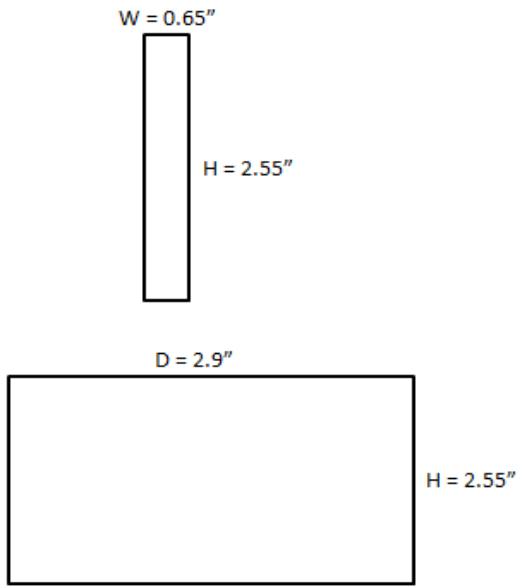


NEMA Contact Block 1NO & 1NC
Side Mounted Screw Terminal
Size 7 & 8 for Contactors/Starters
For use on class 14, 22, 40, and 43 Contactors/Starters



Image is representative and may not depict the actual product.

General technical data:	
Weight	0.11 lb
Height x Width x Depth	2.55 x 0.65 x 2.9 in.
Finger-safe	Yes
Maximum altitude	6560 ft
Ambient storage temperature	(-30 to 65)°C / (-22 to 149)°F
Ambient operating temperature	(-20 to 40)°C / (-4 to 104)°F
Humidity (% non-condensing)	(no data)
Rated impulse voltage resistance	(no data)
Rated insulation voltage	690 V
Country of origin	Switzerland
Acceptability for application	Control Power Relay
Number of NC contacts	1
Number of NO contacts	1
Operating Current at AC-15:	
24-127 VAC	6A Make / 6A Break
220-240 VAC	4A Make / 4A Break
380-440 VAC	3A Make / 3A Break
500-690 VAC	2A Make / 2A Break
Operating Current at DC-13:	
24 VDC	6A Make / 6A Break
48 VDC	2.8A Make / 2.8A Break
72 VDC	1A Make / 1A Break
125 VDC	0.55A Make / 0.55A Break
250 VDC	0.3A Make / 0.3A Break
Mounting/wiring:	
Mounting orientation	Side
Mounting type	Snap-on mounting
Connection type / torque	Pozidriv 2 screw with cable clamp / 9 - 10 in-lb
Rigid (solid) conductors	2x(12-17 AWG) CU 75°C
Flexible (stranded) conductors with cable end	2x(14-18 AWG) CU 75°C
Certificates/approvals:	
Additional information:	
Instruction Sheet	





Hole cover
For use with Class 87 size 1 - 4 pump panels.
Covers the factory installed hole used for conduit hubs.

Image is representative and may not depict the actual product.

General technical data:	
Weight	0.20 lb
Country of origin	USA
NEMA rating	3/3R weather proof for outdoor use
Material	Galvanized or galvanized steel
Finish	Powder coat paint
Color	ANSI Gray 61
Includes	Cover, gasket and mounting hardware

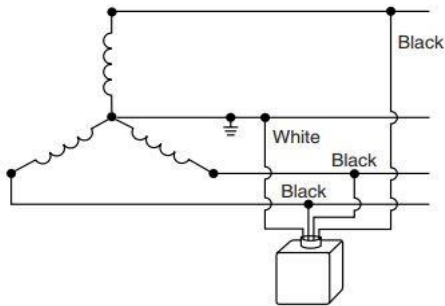
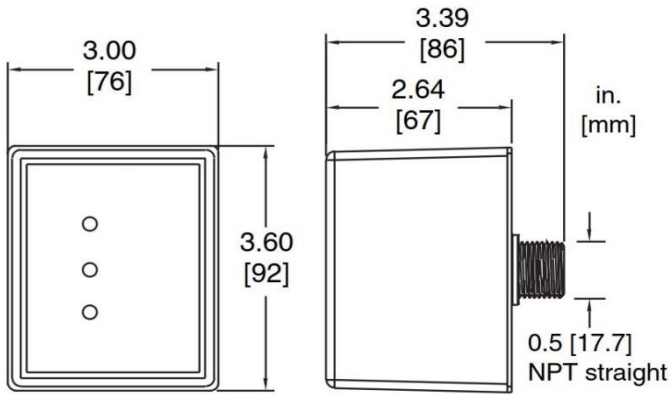


Lightening arresstor (surge protective device)
For use with enclosed control products.
Provides surge suppression for equipment from severe transient activity.

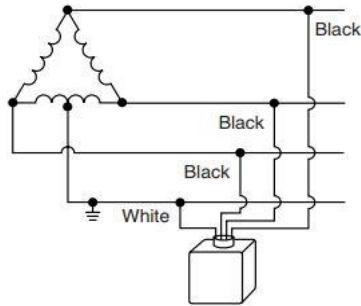


Image is representative and may not depict the actual product.

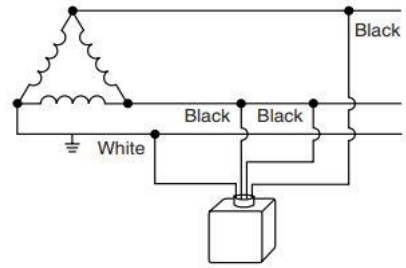
General technical data:	
Weight	1.8 lb
Height x Width x Depth	92 x 76 x 86 mm
Housing material	Plastic
NEMA rating	NEMA type 4X
Maximum altitude	3658 m
Ambient storage temperature	(-40 to 65)°C / (-40 to 149)°F
Ambient operating temperature	(-40 to 65)°C / (-40 to 149)°F
Country of origin	USA
Performance:	
Surge current rating per phase	40kA
Short circuit current rating	200kA
Modes of protection	6
Fusing	Individually fused MOVs
Thermal fusing	Yes
Overcurrent fusing	Yes
Operating frequency	50/60 Hz
Diagnostics	Green status LED
Mounting/wiring:	
Mounting type	Close nipped, back mounted
Mounting torque	(no data)
Wire connection type / torque	Wire leads / NA
Solid & stranded conductors	12 AWG CU 60/75°C
Wires included	Yes
Certificates/approvals:	
	cULus Listed per UL 1449 3rd edition Type 1 SPD, UL 1283, CSA C22.2 No. 8-M1986, C233.1-87 CE marked (IEC 61643-11)
Additional information:	
Notes:	



3 ϕ 4W
208Y/120Vac,
480Y/277Vac
and 600Y/347Vac



3 ϕ 4W
240/120Vac



3 ϕ 3W
(Corner Grounded)
240Vac and 480Vac
and 600 Vac

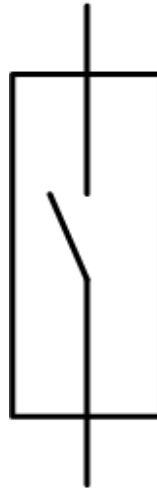


Auxiliary contact block 1NO or 1NC
For use on Class LC lighting contactors



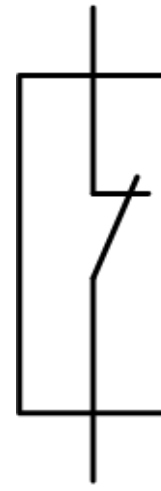
Image is representative and may not depict the actual product.

General technical data:	
Weight	.020 lb
Height x Width x Depth	39 x 27 x 10 mm
Finger-safe	Yes
Maximum altitude	6560 ft
Ambient storage temperature	(-30 to 65)°C / (-22 to 149)°F
Ambient operating temperature	(-25 to 40)°C / (-13 to 104)°F
Humidity (% non-condensing)	(no data)
Rated impulse voltage resistance	(no data)
Rated insulation voltage	(no data)
Country of origin	Poland
Number of NC contacts	1 if mounted on right side of contactor
Number of NO contacts	1 if mounted on left side of contactor
Operating Current at A600:	
Continuous current	10A
120 VAC	60A Make / 6A Break
240 VAC	30A Make / 3A Break
480 VAC	15A Make / 1.5A Break
600 VAC	12A Make / 1.2A Break
Voltamperes	7200 Make / 720 Break
Operating Current at DC Volts:	
Continuous current	(no data)
Mounting/wiring:	
Mounting orientation	Side
Mounting type	Snap-on mounting
Connection type / torque	Screw / 7-12 in-lb
Solid & stranded conductors	2x(22-12 AWG) CU 75°C
Certificates/approvals:	
Additional information:	
Instruction Sheet	



1 NO

(if mounted on left side of contactor)



1 NC

(if mounted on right side of contactor)

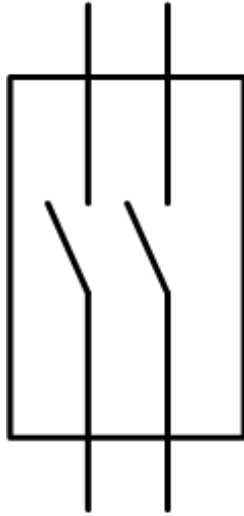


Auxiliary contact block 2NO or 2NC
For use on Class LC lighting contactors

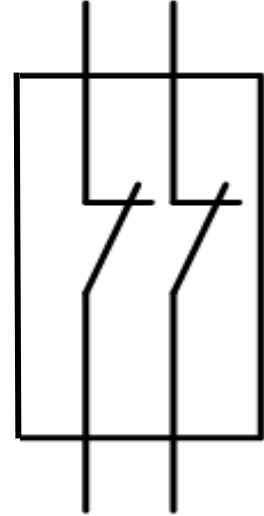


Image is representative and may not depict the actual product.

General technical data:	
Weight	.030 lb
Height x Width x Depth	47 x 38 x 10 mm
Finger-safe	Yes
Maximum altitude	6560 ft
Ambient storage temperature	(-30 to 65)°C / (-22 to 149)°F
Ambient operating temperature	(-25 to 40)°C / (-13 to 104)°F
Humidity (% non-condensing)	(no data)
Rated impulse voltage resistance	(no data)
Rated insulation voltage	(no data)
Country of origin	Poland
Number of NC contacts	2 if mounted on right side of contactor
Number of NO contacts	2 if mounted on left side of contactor
Operating Current at A600:	
Continuous current	10A
120 VAC	60A Make / 6A Break
240 VAC	30A Make / 3A Break
480 VAC	15A Make / 1.5A Break
600 VAC	12A Make / 1.2A Break
Voltamperes	7200 Make / 720 Break
Operating Current at DC Volts:	
Continuous current	(no data)
Mounting/wiring:	
Mounting orientation	Side
Mounting type	Snap-on mounting
Connection type / torque	Screw / 7-12 in-lb
Solid & stranded conductors	2x(22-12 AWG) CU 75°C
Certificates/approvals:	
Additional information:	
Instruction Sheet	



2 NO
(if mounted on left
side of contactor)



2 NC
(if mounted on right
side of contactor)

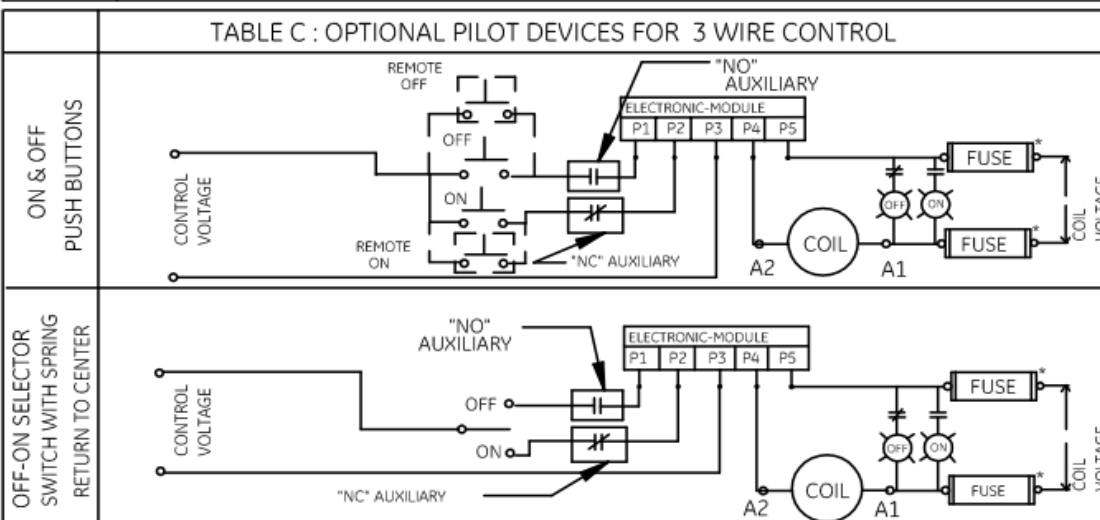
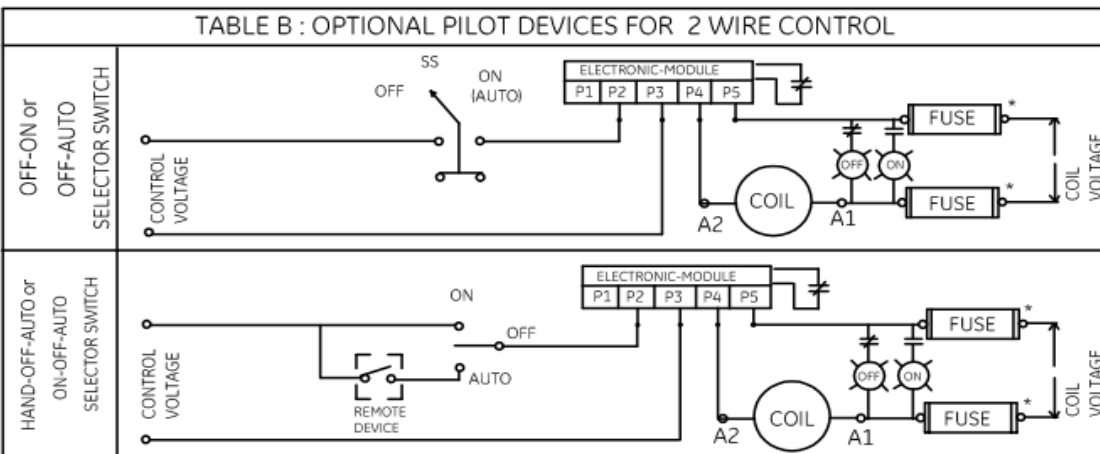
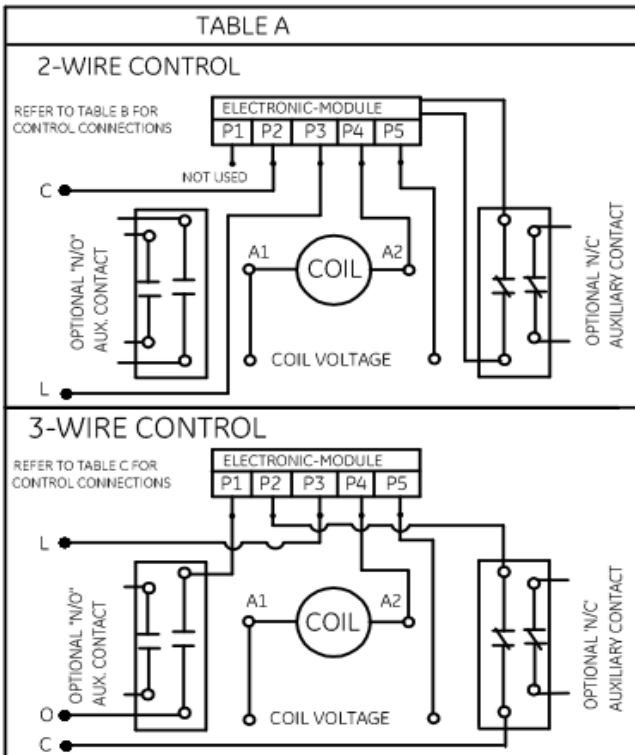


Conversion kit for mechanically held lighting contactors
 Used for converting Class LC electrically held contactors to a mechanically held version. Kits includes control module, latch, latch cover and auxiliary contact(s) plus installation instructions. Conversion kits are suitable for coil voltages 277V and below. Use CPT to reduce coil voltage if line voltage is higher than 277V.



Image is representative and may not depict the actual product.

Control circuit wiring and voltage:	
49LCCM1A	2-wire, 24VAC
49LCCM2A	2-wire, 110-120VAC
49LCCM3A	2-wire, 200-277VAC
49LCCM4A	3-wire, 24VAC
49LCCM5A	3-wire, 110-120VAC
49LCCM6A	3-wire, 200-277VAC
General technical data:	
Finger-safe	Yes
Altitude (m)	2000
Ambient storage temperature (°C)	-30 to 65
Ambient operating temperature (°C)	-25 to 40
Country of origin	United States
General ratings:	
Coil voltage	24 - 277 VAC
24 VAC input: steady state current / Max VA	80 mA / 5 VA
115-120 VAC input: steady state current / Max VA	83 mA / 12 VA
200 - 277VAC input: steady state current / Max VA	91 mA / 30 VA
Min. pulse duration (3-wire module)	250 ms
Max. allowable leakage current	1.8 mA
EMI	35 V/m
Surge transient peak	6 kV
Frequency range	40-70 Hz
Mounting/wiring:	
Mounting type	Mounted onto contactor
Mounting torque	7 - 12 lb in.
Wire connection type / torque	Screw-type terminals / 5 lb in.
Solid & stranded conductors	1 x (22 - 12 AWG) CU 60/75°C
Wires included	Yes
Certificates/approvals:	
Additional information:	
Instruction Sheet	
Notes:	



* -- IF USED



Power pole module
Single pole and double pole
For use with Class LC lighting contactors
Configured to either normally open or normally closed



Image is representative and may not depict the actual product.

General technical data:	
Weight	0.20 lb
Country of origin	United States
Number of poles:	
49LCP*1A	1 normally open (N.O.) or 1 normally closed (N.C.)
49LCP*2A	2 normally open (N.O.) or 2 normally closed (N.C.)
Additional information:	
	Instruction Sheet

For ratings and additional data, refer to product data sheet for any Class LC lighting contactor.



Universal overload relay reset operator
 Used to actuate the reset button of an enclosed overload relay through the door.
 Used with Class 36 and 37 starters and Class 87 pump panels.
 For NEMA Type 1, 3/3R and 12 enclosures.

Image is representative and may not depict the actual product.

General technical data:	
Weight	0.05 lb.
Country of origin	Mexico
NEMA rating	Type 1, 3/3R and 12
Material	Plastic
Color	Gray
Actuation type	Mechanical (manual)
Maximum rod length	8 in
Adjustable length	Yes
Maximum travel of pusher	0.625 in
Diameter of pusher pad	1.375 in
Allowable size of mounting hole	0.28 in diameter
Overload relay brand / type compatibility	All Siemens
Additional information:	
	Instruction Sheet



Universal overload relay reset operator
 Used to actuate the reset button of an enclosed overload relay through the door.
 For NEMA Type 1, 3R, 4, 4X and 12 enclosures with a 30 mm hole.



Image is representative and may not depict the actual product.

General technical data:	
Weight	0.25 lb.
Country of origin	Mexico
NEMA rating	Type 1, 3R and 12
NEMA rating	Type 4 and 4X with protective boot 52AABA
Material	Metal housing with chrome finish; metal rod; plastic pusher
Color	Chrome finish, red button
Actuation type	Mechanical (manual)
Maximum rod length	7.72 in
Adjustable length	Yes
Maximum travel of pusher	0.5 in
Diameter of pusher pad	0.875 in
Allowable size of mounting hole	1.22 in diameter
Overload relay brand / type compatibility	All Siemens
Additional information:	

[Instruction Sheet](#)



Universal overload relay reset operator
 Used to actuate the reset button of an enclosed overload relay through the door.
 Best suited for Class 14, 22, 30 & 83 size 00 - 4 non-combination starters.
 For NEMA Type 1, 12 and 4/4X enclosures.



Image is representative and may not depict the actual product.

General technical data:	
Weight	0.07 lb.
Country of origin	Mexico
NEMA rating	Type 1, 4, 4X and 12
Material	Plastic
Color	Black housing, blue button
Actuation type	Mechanical (manual)
Maximum rod length	5 in
Adjustable length	Yes
Maximum travel of pusher	0.5 in
Diameter of pusher pad	0.56 in
Allowable size of mounting hole	0.89 in diameter
Overload relay brand / type compatibility	All Siemens
Additional information:	

[Instruction Sheet](#)



Universal overload relay reset operator
 Used to actuate the reset button of an enclosed overload relay through the door.
 Best suited for Class 17, 18, 25, 26, 32 and 84 combination starters.
 For NEMA Type 1 enclosures.



Image is representative and may not depict the actual product.

General technical data:	
Weight	0.05 lb.
Country of origin	Mexico
NEMA rating	Type 1
Material	Plastic
Color	Black housing, blue button
Actuation type	Mechanical (manual)
Maximum rod length	5 in
Adjustable length	Yes
Maximum travel of pusher	0.5 in
Diameter of pusher pad	0.56 in
Allowable size of mounting hole	0.89 in diameter
Overload relay brand / type compatibility	All Siemens
Additional information:	

[Instruction Sheet](#)



Universal overload relay reset operator
 Used to actuate the reset button of an enclosed overload relay through the door.
 Best suited for Class 17, 18, 25, 26, 32 and 84 combination starters.
 For NEMA Type 4, 4X and 12 enclosures.



Image is representative and may not depict the actual product.

General technical data:	
Weight	0.05 lb.
Country of origin	Mexico
NEMA rating	Type 4, 4X and 12
Material	Plastic and silicon dust cover
Color	Black housing, blue button
Actuation type	Mechanical (manual)
Maximum rod length	5 in
Adjustable length	Yes
Maximum travel of pusher	0.5 in
Diameter of pusher pad	0.56 in
Allowable size of mounting hole	0.89 in diameter
Overload relay brand / type compatibility	All Siemens
Additional information:	

[Instruction Sheet](#)

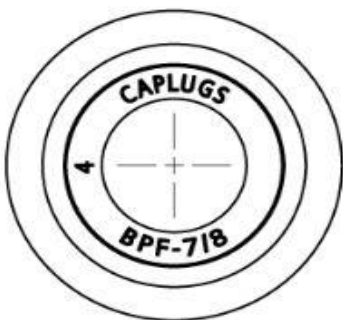
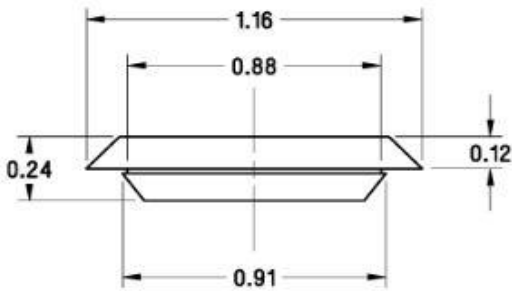


Hole plug

Covers a hole in an enclosure door / cover normally filled with a 22 mm device such as an overload reset operator 49MBRS. Snaps into hole and is held in place until deliberately removed.

Image is representative and may not depict the actual product.

General technical data:	
Weight	0.09 lb
Country of origin	USA
NEMA rating	Type 1 for indoor use
Material	Low-density polyethylene
Color	Black
Allowable hole size	0.86 - 0.88 in
Allowable wall thickness	0.03 - 0.08 in





Pilot light lens kit
For use with 49SBLB* pilot lights
Red, green and amber lenses



Image is representative and may not depict the actual product.

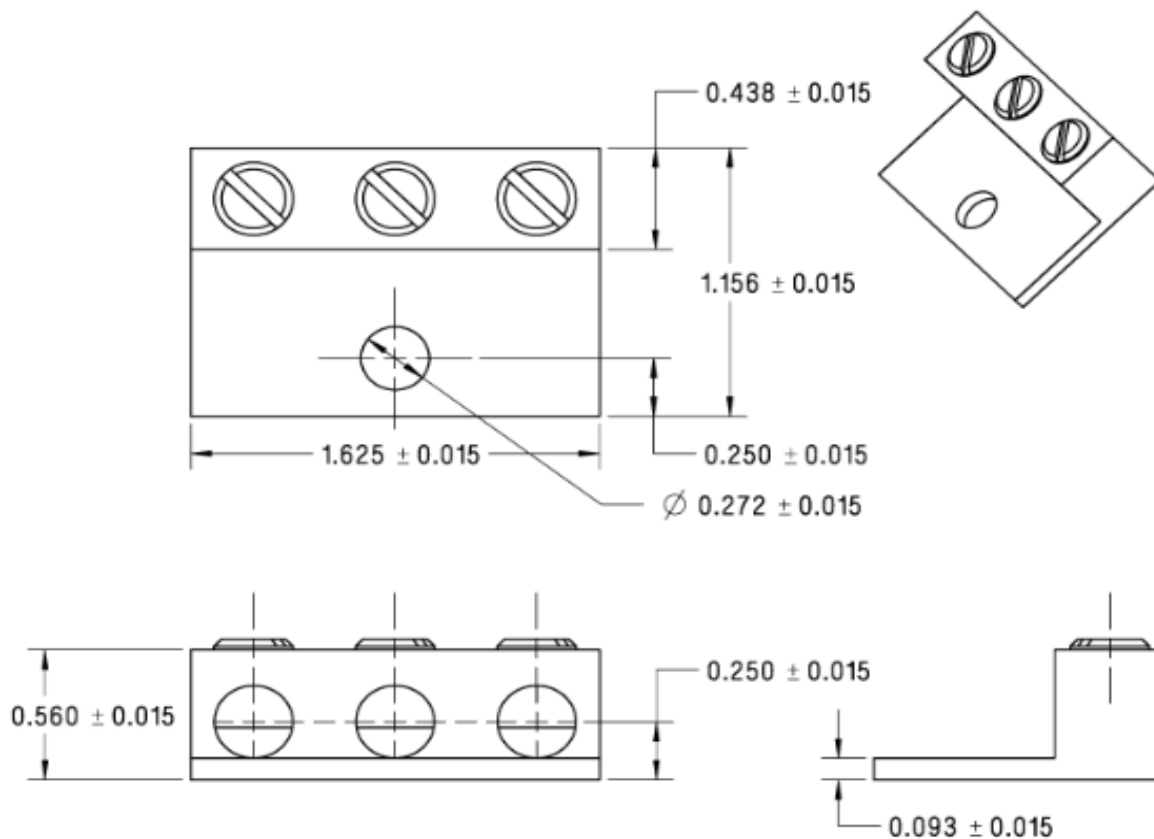
General technical data:	
Country of origin	Mexico
Lens:	
Number of lenses	3
Material	Plastic
Color	Red, green and amber
Mounting:	
Mounting type	Snap on
Additional information:	
	Instruction Sheet

Three conductor ground lug



Image is representative and may not depict the actual product.

General technical data:	
Weight	0.15 lb
Height x Width x Depth	1.63 x 1.16 x 0.56 in.
Country of origin	United States
Number of terminal points	3
Material	Aluminum
Plating	Tin
Connection type / torque	Screw / 50 in-lb
Solid & stranded conductors	1x(2-14 AWG) CU or AL



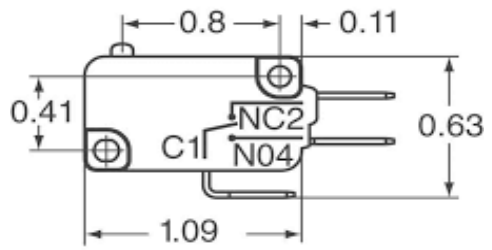


Auxiliary contact block SPDT 1NO / 1NC
For use on Class CLM 20 Amp lighting contactors



Image is representative and may not depict the actual product.

General technical data:	
Weight	.010 lb
Height x Width x Depth	39 x 22 x 10 mm
Finger-safe	No
Maximum altitude	6560 ft
Ambient storage temperature	(-55 to 85)°C / (-67 to 185)°F
Ambient operating temperature	(-40 to 85)°C / (-40 to 185)°F
Humidity (% non-condensing)	(no data)
Rated impulse voltage resistance	(no data)
Rated insulation voltage	(no data)
Country of origin	USA
Mechanical life	up to 10,000,000 cycles
Number of NC contacts	1
Number of NO contacts	1
Contact material	Silver, gold plated, gold alloy
Housing material	High strength thermoplastic
Operating Current at AC Voltage:	
277 VAC	11 A
Operating Current at DC Voltage:	
125 VDC	0.5 A
250 VDC	0.25 A
Mounting/wiring:	
Mounting orientation	Side
Mounting type	Screw mounting
Connection type / torque	Quick connect / NA
Solid & stranded conductors	(no data)
Certificates/approvals:	
Additional information:	
Instruction Sheet	



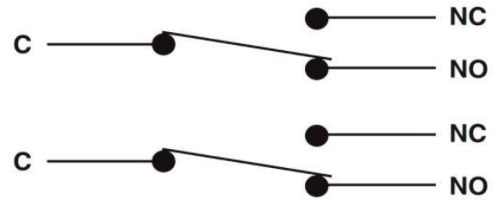
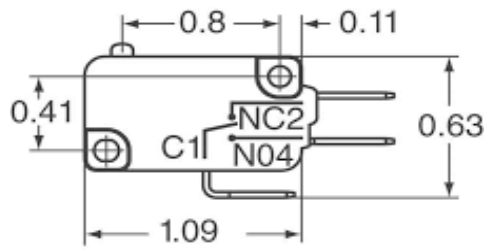


Auxiliary contact block DPDT 2NO / 2NC
For use on Class CLM 20 Amp lighting contactors



Image is representative and may not depict the actual product.

General technical data:	
Weight	0.020 lb
Height x Width x Depth	39 x 22 x 10 mm each
Finger-safe	No
Maximum altitude	6560 ft
Ambient storage temperature	(-55 to 85)°C / (-67 to 185)°F
Ambient operating temperature	(-40 to 85)°C / (-40 to 185)°F
Humidity (% non-condensing)	(no data)
Rated impulse voltage resistance	(no data)
Rated insulation voltage	(no data)
Country of origin	USA
Mechanical life	up to 10,000,000 cycles
Number of NC contacts	2
Number of NO contacts	2
Contact material	Silver, gold plated, gold alloy
Housing material	High strength thermoplastic
Operating Current at AC Voltage:	
277 VAC	11 A
Operating Current at DC Voltage:	
125 VDC	0.5 A
250 VDC	0.25 A
Mounting/wiring:	
Mounting orientation	Side
Mounting type	Screw mounting
Connection type / torque	Quick connect / NA
Solid & stranded conductors	(no data)
Certificates/approvals:	
Additional information:	
Instruction Sheet	





Main contact block
2, 3, 4, and 6 pole
For use with Class CLM 20 amp lighting contactors
Used for replacement or reconfiguration of power poles.



Image is representative and may not depict the actual product.

General technical data:	
Weight	0.70 lb
Country of origin	Mexico
Number of poles and position on contactor:	
CLM4097331	2-pole, top or bottom position
CLM4097332	3-pole, top position
CLM4097333	4-pole, top or bottom position
CLM4097334	6-pole, top or bottom position
Additional information:	
	Instruction Sheet

For ratings and additional data, refer to product data sheet for any Class CLM 20 amp lighting contactor.

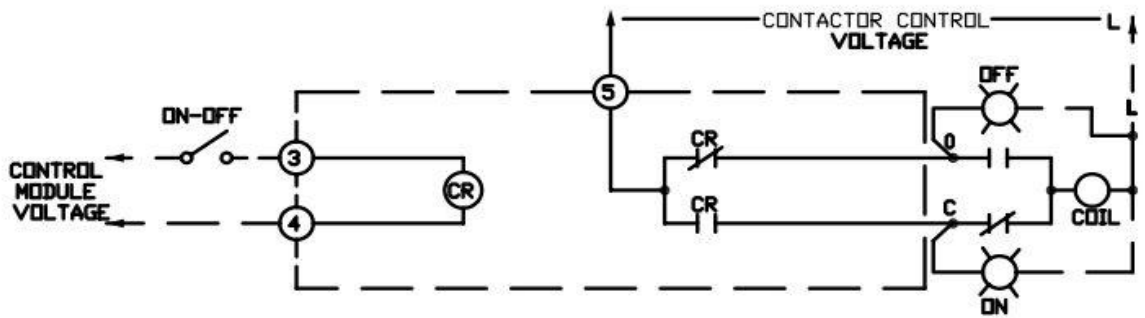
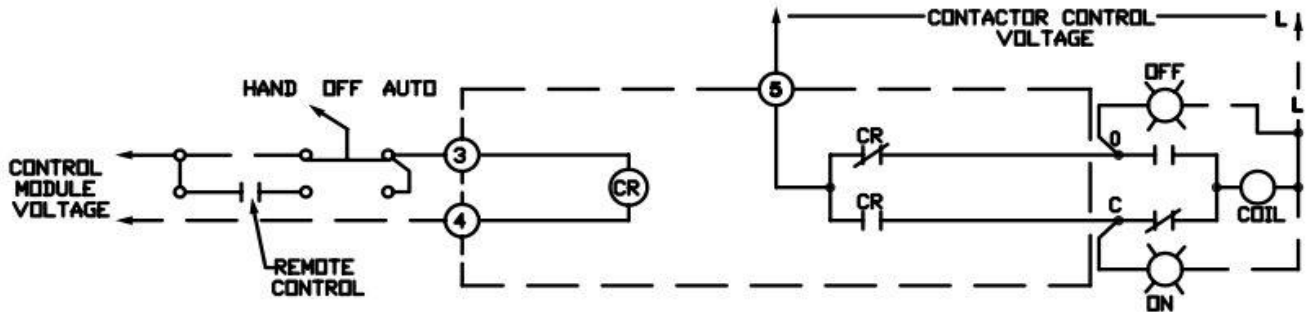


Solid-state control module for 2-wire control
For use with Class CLM 20 Amp lighting contactors.
Allows control of lighting contactors directly from energy management systems, microprocessors, photo-electric cells, timers and similar control devices.



Image is representative and may not depict the actual product.

General technical data:	
Weight	0.45 lb
Height x Width x Depth	104 x 70 x 52 mm
Finger-safe	No
Maximum altitude	6560 ft
Ambient storage temperature	(no data)
Ambient operating temperature	(no data)
Humidity (% non-condensing)	(no data)
Country of origin	Mexico
Contact rating:	
CLM4379771	120V AC, 50/60 Hz (1.6 VA)
CLM4379772	24V AC/DC, 50/60 Hz (0.5 VA)
CLM4379773	240/277V AC, 50/60 Hz (3.5 VA)
Operating power requirements:	
CLM4379771	1.8 VA
CLM4379772	0.6 VA
CLM4379773	2.75 VA
Mounting/wiring:	
Mounting type	Integrally mounted onto the bottom or right side of contactor.
Mounting torque	5 lb in. (bottom mounting); 10 lb in. (top mounting)
Wire connection type / torque	Screw-type terminals / 12 lb in.
Solid & stranded conductors	2 x (22 - 12 AWG) CU 60/75°C
Wires included	No
Certificates/approvals:	
Additional information:	
Instruction Sheet	
Notes:	



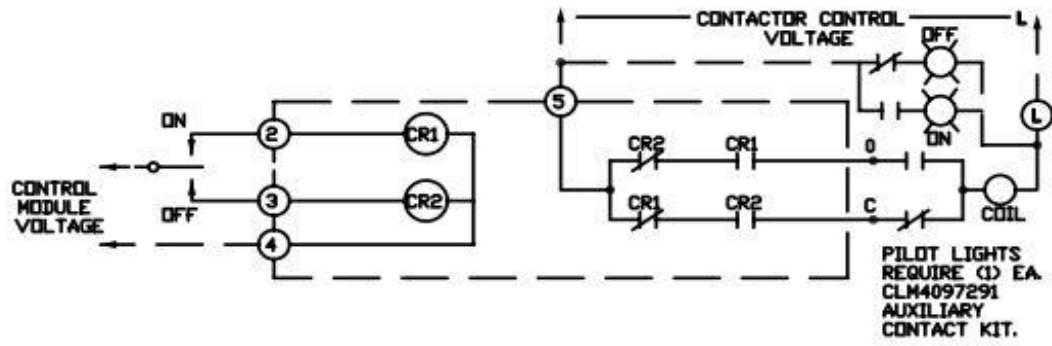


Solid-state control module for 3-wire control
For use with Class CLM 20 Amp lighting contactors.
Allows control of lighting contactors directly from energy management systems, microprocessors, photo-electric cells, timers and similar control devices.



Image is representative and may not depict the actual product.

General technical data:	
Weight	0.45 lb
Height x Width x Depth	104 x 70 x 52 mm
Finger-safe	No
Maximum altitude	6560 ft
Ambient storage temperature	(no data)
Ambient operating temperature	(no data)
Humidity (% non-condensing)	(no data)
Country of origin	Mexico
Contact rating:	
CLM4379781	120V AC, 50/60 Hz (1.5 VA)
CLM4379782	24V AC/DC, 50/60 Hz (0.5 VA)
CLM4379783	240/277V AC, 50/60 Hz (3.5 VA)
Operating power requirements:	
CLM4379781	1.0 VA
CLM4379782	0.17 VA
CLM4379783	2.9 VA
Mounting/wiring:	
Mounting type	Integrally mounted onto the bottom or right side of contactor.
Mounting torque	5 lb in. (bottom mounting); 10 lb in. (top mounting)
Wire connection type / torque	Screw-type terminals / 12 lb in.
Solid & stranded conductors	2 x (22 - 12 AWG) CU 60/75°C
Wires included	No
Certificates/approvals:	
Additional information:	
Instruction Sheet	
Notes:	



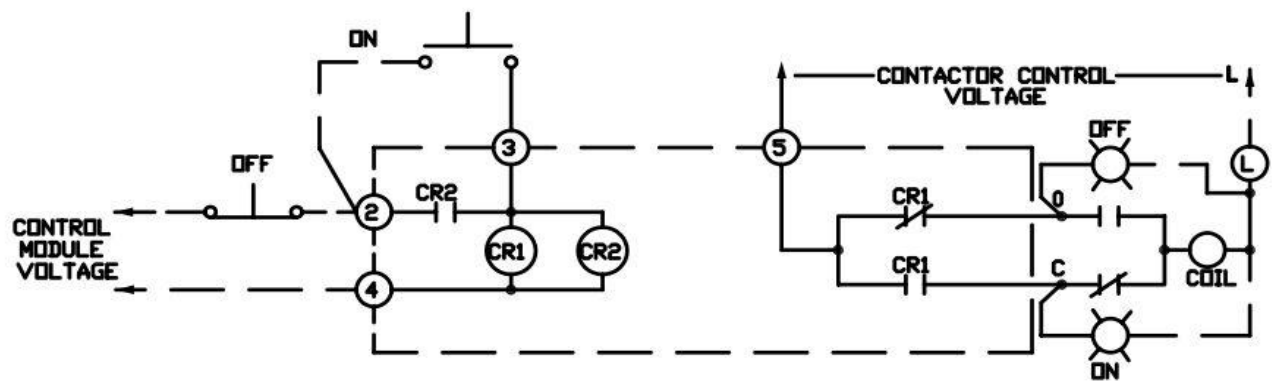


Solid-state control module for start / stop control (Form 3)
For use with Class CLM 20 Amp lighting contactors.
Allows control of lighting contactors directly from energy management systems, microprocessors, photo-electric cells, timers and similar control devices.



Image is representative and may not depict the actual product.

General technical data:	
Weight	0.45 lb
Height x Width x Depth	104 x 70 x 52 mm
Finger-safe	No
Maximum altitude	6560 ft
Ambient storage temperature	(no data)
Ambient operating temperature	(no data)
Humidity (% non-condensing)	(no data)
Country of origin	Mexico
Contact rating:	
CLM4379791	120V AC, 50/60 Hz (1.5 VA)
CLM4379792	24V AC/DC, 50/60 Hz (0.5 VA)
CLM4379793	240/277V AC, 50/60 Hz (3.5 VA)
Operating power requirements:	
CLM4379791	3.0 VA
CLM4379792	0.45 VA
CLM4379793	6.9 VA
Mounting/wiring:	
Mounting type	Integrally mounted onto the bottom or right side of contactor.
Mounting torque	5 lb in. (bottom mounting); 10 lb in. (top mounting)
Wire connection type / torque	Screw-type terminals / 12 lb in.
Solid & stranded conductors	2 x (22 - 12 AWG) CU 60/75°C
Wires included	No
Certificates/approvals:	
Additional information:	
	Instruction Sheet
Notes:	



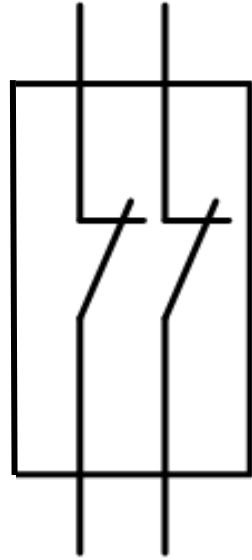


Auxiliary contact block 0NO / 2NC
For use on Class CLM 30 - 200 Amp lighting contactors



Image is representative and may not depict the actual product.

General technical data:	
Weight	.010 lb
Height x Width x Depth	62 x 25 x 35 mm
Finger-safe	No
Maximum altitude	6560 ft
Ambient storage temperature	(-55 to 80)°C / (-67 to 176)°F
Ambient operating temperature	(-35 to 75)°C / (-31 to 167)°F
Humidity (% non-condensing)	(no data)
Rated impulse voltage resistance	(no data)
Rated insulation voltage	(no data)
Country of origin	USA
Number of NC contacts	2
Number of NO contacts	0
Operating Current at A600:	
Continuous current	10A
120 VAC	60A Make / 6A Break
240 VAC	30A Make / 3A Break
480 VAC	15A Make / 1.5A Break
600 VAC	12A Make / 1.2A Break
Voltamperes	7200 Make / 720 Break
Operating Current at R300:	
Continuous current	1.0A
125 VDC	0.22A Make / 0.22A Break
250 VDC	0.11A Make / 0.11A Break
301 to 600 VDC	NA
Voltamperes	28 Make / 28 Break
Mounting/wiring:	
Connection type / torque	Screw / 8 - 12 in-lb
Solid & stranded conductors	2x(12-16 AWG) CU 75°C
Certificates/approvals:	
Additional information:	
Instruction Sheet	



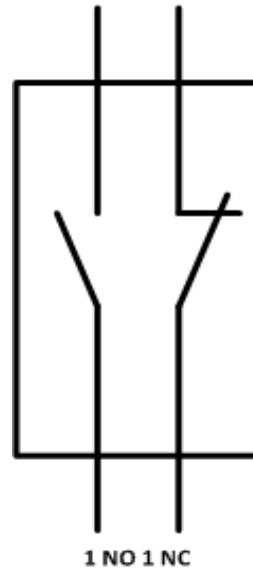


Auxiliary contact block 1NO / 1NC
For use on Class CLM 30 - 200 Amp lighting contactors



Image is representative and may not depict the actual product.

General technical data:	
Weight	.010 lb
Height x Width x Depth	62 x 25 x 35 mm
Finger-safe	No
Maximum altitude	6560 ft
Ambient storage temperature	(-55 to 80)°C / (-67 to 176)°F
Ambient operating temperature	(-35 to 75)°C / (-31 to 167)°F
Humidity (% non-condensing)	(no data)
Rated impulse voltage resistance	(no data)
Rated insulation voltage	(no data)
Country of origin	USA
Number of NC contacts	1
Number of NO contacts	1
Operating Current at A600:	
Continuous current	10A
120 VAC	60A Make / 6A Break
240 VAC	30A Make / 3A Break
480 VAC	15A Make / 1.5A Break
600 VAC	12A Make / 1.2A Break
Voltamperes	7200 Make / 720 Break
Operating Current at R300:	
Continuous current	1.0A
125 VDC	0.22A Make / 0.22A Break
250 VDC	0.11A Make / 0.11A Break
301 to 600 VDC	NA
Voltamperes	28 Make / 28 Break
Mounting/wiring:	
Connection type / torque	Screw / 8 - 12 in-lb
Solid & stranded conductors	2x(12-16 AWG) CU 75°C
Certificates/approvals:	
Additional information:	
Instruction Sheet	



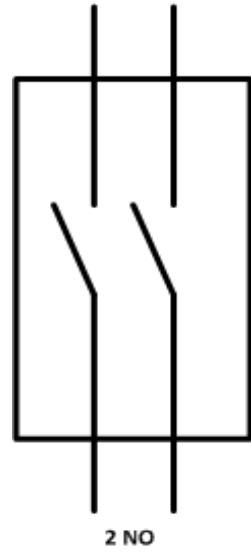


Auxiliary contact block 2NO / 0NC
For use on Class CLM 30 - 200 Amp lighting contactors



Image is representative and may not depict the actual product.

General technical data:	
Weight	.010 lb
Height x Width x Depth	62 x 25 x 35 mm
Finger-safe	No
Maximum altitude	6560 ft
Ambient storage temperature	(-55 to 80)°C / (-67 to 176)°F
Ambient operating temperature	(-35 to 75)°C / (-31 to 167)°F
Humidity (% non-condensing)	(no data)
Rated impulse voltage resistance	(no data)
Rated insulation voltage	(no data)
Country of origin	USA
Number of NC contacts	0
Number of NO contacts	2
Operating Current at A600:	
Continuous current	10A
120 VAC	60A Make / 6A Break
240 VAC	30A Make / 3A Break
480 VAC	15A Make / 1.5A Break
600 VAC	12A Make / 1.2A Break
Voltamperes	7200 Make / 720 Break
Operating Current at R300:	
Continuous current	1.0A
125 VDC	0.22A Make / 0.22A Break
250 VDC	0.11A Make / 0.11A Break
301 to 600 VDC	NA
Voltamperes	28 Make / 28 Break
Mounting/wiring:	
Connection type / torque	Screw / 8 - 12 in-lb
Solid & stranded conductors	2x(12-16 AWG) CU 75°C
Certificates/approvals:	
Additional information:	
Instruction Sheet	



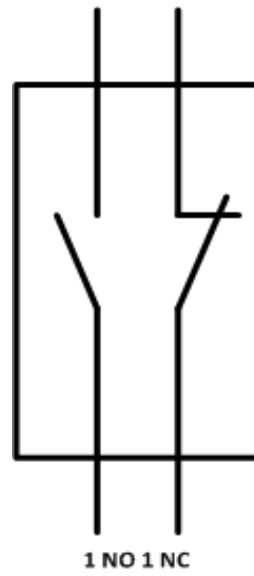


Latch coil clearing auxiliary contact
For use with Class CLM 30 - 200 amp lighting contactors.
Used to connect and disconnect current to the coil.



Image is representative and may not depict the actual product.

General technical data:	
Weight	.15 lb
Height x Width x Depth	62 x 25 x 35 mm
Finger-safe	No
Maximum altitude	6560 ft
Ambient storage temperature	(-55 to 80)°C / (-67 to 176)°F
Ambient operating temperature	(-35 to 75)°C / (-31 to 167)°F
Humidity (% non-condensing)	(no data)
Rated impulse voltage resistance	(no data)
Rated insulation voltage	(no data)
Country of origin	USA
Number of NC contacts	1
Number of NO contacts	1
Operating Current at A600:	
Continuous current	10A
120 VAC	60A Make / 6A Break
240 VAC	30A Make / 3A Break
480 VAC	15A Make / 1.5A Break
600 VAC	12A Make / 1.2A Break
Voltamperes	7200 Make / 720 Break
Operating Current at R300:	
Continuous current	1.0A
125 VDC	0.22A Make / 0.22A Break
250 VDC	0.11A Make / 0.11A Break
301 to 600 VDC	NA
Voltamperes	28 Make / 28 Break
Mounting/wiring:	
Connection type / torque	Screw / 8 - 12 in-lb
Solid & stranded conductors	2x(12-16 AWG) CU 75°C
Certificates/approvals:	
Additional information:	
Instruction Sheet	





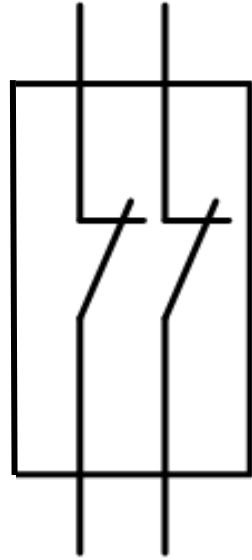
Auxiliary contact block 0NO / 2NC

For use on Class CLM 300 and 400 Amp lighting contactors



Image is representative and may not depict the actual product.

General technical data:	
Weight	.010 lb
Height x Width x Depth	62 x 25 x 35 mm
Finger-safe	No
Maximum altitude	6560 ft
Ambient storage temperature	(-55 to 80)°C / (-67 to 176)°F
Ambient operating temperature	(-35 to 75)°C / (-31 to 167)°F
Humidity (% non-condensing)	(no data)
Rated impulse voltage resistance	(no data)
Rated insulation voltage	(no data)
Country of origin	USA
Number of NC contacts	2
Number of NO contacts	0
Operating Current at A600:	
Continuous current	10A
120 VAC	60A Make / 6A Break
240 VAC	30A Make / 3A Break
480 VAC	15A Make / 1.5A Break
600 VAC	12A Make / 1.2A Break
Voltamperes	7200 Make / 720 Break
Operating Current at R300:	
Continuous current	1.0A
125 VDC	0.22A Make / 0.22A Break
250 VDC	0.11A Make / 0.11A Break
301 to 600 VDC	NA
Voltamperes	28 Make / 28 Break
Mounting/wiring:	
Connection type / torque	Screw / 8 - 12 in-lb
Solid & stranded conductors	2x(12-16 AWG) CU 75°C
Certificates/approvals:	
Additional information:	
Instruction Sheet	



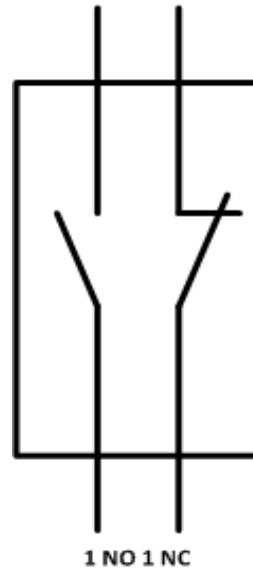


Auxiliary contact block 1NO / 1NC
For use on Class CLM 300 and 400 Amp lighting contactors



Image is representative and may not depict the actual product.

General technical data:	
Weight	.010 lb
Height x Width x Depth	62 x 25 x 35 mm
Finger-safe	No
Maximum altitude	6560 ft
Ambient storage temperature	(-55 to 80)°C / (-67 to 176)°F
Ambient operating temperature	(-35 to 75)°C / (-31 to 167)°F
Humidity (% non-condensing)	(no data)
Rated impulse voltage resistance	(no data)
Rated insulation voltage	(no data)
Country of origin	USA
Number of NC contacts	1
Number of NO contacts	1
Operating Current at A600:	
Continuous current	10A
120 VAC	60A Make / 6A Break
240 VAC	30A Make / 3A Break
480 VAC	15A Make / 1.5A Break
600 VAC	12A Make / 1.2A Break
Voltamperes	7200 Make / 720 Break
Operating Current at R300:	
Continuous current	1.0A
125 VDC	0.22A Make / 0.22A Break
250 VDC	0.11A Make / 0.11A Break
301 to 600 VDC	NA
Voltamperes	28 Make / 28 Break
Mounting/wiring:	
Connection type / torque	Screw / 8 - 12 in-lb
Solid & stranded conductors	2x(12-16 AWG) CU 75°C
Certificates/approvals:	
Additional information:	
Instruction Sheet	



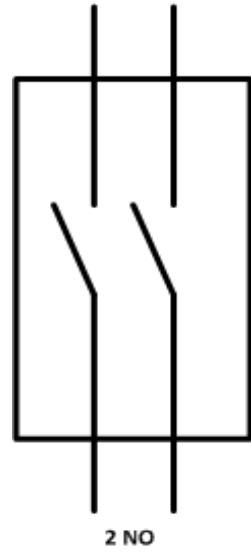


Auxiliary contact block 2NO / 0NC
For use on Class CLM 300 and 400 Amp lighting contactors



Image is representative and may not depict the actual product.

General technical data:	
Weight	.010 lb
Height x Width x Depth	62 x 25 x 35 mm
Finger-safe	No
Maximum altitude	6560 ft
Ambient storage temperature	(-55 to 80)°C / (-67 to 176)°F
Ambient operating temperature	(-35 to 75)°C / (-31 to 167)°F
Humidity (% non-condensing)	(no data)
Rated impulse voltage resistance	(no data)
Rated insulation voltage	(no data)
Country of origin	USA
Number of NC contacts	0
Number of NO contacts	2
Operating Current at A600:	
Continuous current	10A
120 VAC	60A Make / 6A Break
240 VAC	30A Make / 3A Break
480 VAC	15A Make / 1.5A Break
600 VAC	12A Make / 1.2A Break
Voltamperes	7200 Make / 720 Break
Operating Current at R300:	
Continuous current	1.0A
125 VDC	0.22A Make / 0.22A Break
250 VDC	0.11A Make / 0.11A Break
301 to 600 VDC	NA
Voltamperes	28 Make / 28 Break
Mounting/wiring:	
Connection type / torque	Screw / 8 - 12 in-lb
Solid & stranded conductors	2x(12-16 AWG) CU 75°C
Certificates/approvals:	
Additional information:	
Instruction Sheet	





Latch coil clearing auxiliary contact
For use with Class CLM 300 & 400 amp lighting contactors.
Used to deenergize the closing and trip solenoid coils.

Image is representative and may not depict the actual product.

General technical data:	
Weight	0.11 lb
Finger-safe	No
Maximum altitude	(no data)
Ambient storage temperature	(no data)
Ambient operating temperature	(no data)
Humidity (% non-condensing)	(no data)
Rated impulse voltage resistance	(no data)
Rated insulation voltage	(no data)
Country of origin	(no data)
Number of NC contacts	1
Number of NO contacts	1
Operating Current at A600:	
Continuous current	10A
120 VAC	60A Make / 6A Break
240 VAC	30A Make / 3A Break
480 VAC	15A Make / 1.5A Break
600 VAC	12A Make / 1.2A Break
Voltamperes	7200 Make / 720 Break
Operating DC Current:	
24 to 600 VDC	10A Make and Carry / 200VA Break
Mounting/wiring:	
Connection type / torque	(no data)
Solid & stranded conductors	(no data)

