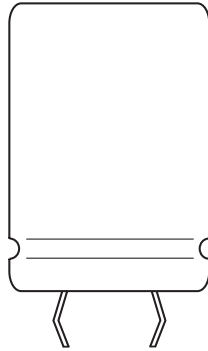


Aluminum Capacitors Standard - 85 °C Snap-in



Component outlines.

FEATURES

- Polarized aluminium electrolytic capacitors
- Small dimension
- High C•U
- Long useful life 3000h / 85 °C

APPLICATIONS

- General use audio/video systems, industrial electronics
- Smoothing, filtering
- Standard and switch mode power supplies

QUICK REFERENCE DATA			
DESCRIPTION	UNIT	LOW VOLTAGE	HIGH VOLTAGE
Nominal case size (∅D × L)	mm	22 x 20 to 40 x 60	
Rated capacitance range C _R	μF	1200 to 100000	47 to 1800
Capacitance tolerance	%	± 20	
Rated voltage range	V	6.3 to 100	160 to 500
Category temperature range	°C	- 40 to + 85 (U _R ≥ 400 V: - 25 to + 85)	
Endurance test at upper category temperature	h	2000	
Useful life at 85 °C and I _R applied	h	3000	
Useful life at 40 °C and I _R applied	h	70000	
Failure rate (0.8 U _R , 40 °C)	10 ⁻⁹ /h	≤ 60	
Based on sectional specifications		IEC 60384-4, EN 130300	
Climatic category IEC 60 068		40/85/56	

SELECTION CHART FOR C _R , U _R AND RELEVANT NOMINAL CASE SIZES (∅D × L in mm)								
C _R (μF)	U _R (V) ≤ 100 V							
	6.3	10	16	25	35	50	63	100
1200	-	-	-	-	-	-	-	22 x 30 25 x 25
1500	-	-	-	-	-	-	-	25 x 25 25 x 30 30 x 25
1800	-	-	-	-	-	-	22 x 25	22 x 40 25 x 35 30 x 30
2200	-	-	-	-	-	22 x 25	22 x 30 25 x 25	22 x 45 25 x 40 30 x 30
2700	-	-	-	-	-	-	22 x 35 25 x 30	25 x 45 30 x 25 35 x 30



SELECTION CHART FOR C_R, U_R AND RELEVANT NOMINAL CASE SIZES (∅D × L in mm)								
C _R (μF)	U _R (V) ≤ 100 V							
	6.3	10	16	25	35	50	63	100
3300	-	-	-	-	-	22 x 30 25 x 25	22 x 35 25 x 30 30 x 25	25 x 50 30 x 40 35 x 35
3900	-	-	-	-	-	-	22 x 40 25 x 35 30 x 30	30 x 45 35 x 40
4700	-	-	-	-	22 x 30 25 x 25	22 x 40 25 x 35 30 x 25 35 x 25	22 x 50 25 x 40 30 x 35 35 x 30	30 x 50 35 x 40
5600	-	-	-	22 x 25	22 x 35 25 x 30	22 x 45 25 x 40 30 x 30 35 x 25	25 x 45 30 x 35 35 x 30	35 x 45 40 x 40
6800	-	-	-	22 x 30 25 x 25	22 x 40 25 x 30 30 x 25	22 x 50 25 x 40 30 x 25 35 x 30	25 x 50 30 x 40 35 x 30	40 x 50
8200	-	-	-	22 x 35 25 x 30	22 x 45 25 x 35 30 x 30	25 x 50 30 x 40 35 x 30	30 x 45 35 x 35	40 x 50
10000	-	-	22 x 25	22 x 40 25 x 30 30 x 25	22 x 50 25 x 40 30 x 30	30 x 45 35 x 35	30 x 50 35 x 40	-
12000	-	22 x 25	22 x 30 25 x 25	22 x 45 25 x 35 30 x 30	25 x 45 30 x 35 35 x 30	30 x 50 35 x 40	35 x 45 40 x 40	-
15000	22 x 25	22 x 30 25 x 25	22 x 25 25 x 30 30 x 25	22 x 50 25 x 40 30 x 25	30 x 40 35 x 35	35 x 45	-	-
18000	22 x 30 25 x 25	22 x 35 25 x 25	22 x 40 25 x 35 30 x 30	25 x 45 30 x 35 35 x 30	30 x 45 35 x 40	35 x 50 40 x 40	-	-
22000	22 x 35 25 x 25	22 x 40 25 x 30 30 x 25	22 x 50 25 x 40 30 x 30	30 x 45 35 x 35	35 x 45 40 x 40	40 x 50 40 x 60	-	-
27000	22 x 40 25 x 30 30 x 25	22 x 45 25 x 35 30 x 30	25 x 45 30 x 35 35 x 25	30 x 50 35 x 40	40 x 50	-	-	-
33000	22 x 45 25 x 35 30 x 30	22 x 50 25 x 40 30 x 30 35 x 25	30 x 40 35 x 30	35 x 45 40 x 40	40 x 50	-	-	-
39000	22 x 50 25 x 40 30 x 30 35 x 25	25 x 45 30 x 35 35 x 30	30 x 45 35 x 35	-	-	-	-	-
47000	25 x 45 30 x 35 35 x 30	25 x 50 30 x 40 35 x 30	30 x 50 35 x 40	-	-	-	-	-
56000	25 x 50 30 x 40 35 x 30	30 x 45 35 x 35	35 x 45 40 x 40	-	-	-	-	-
68000	30 x 45 35 x 35	35 x 40	35 x 50 40 x 50	-	-	-	-	-
100000	35 x 45 40 x 40	40 x 50	40 x 60	-	-	-	-	-

Special values/dimensions on request.



Aluminum Capacitors
Standard - 85 °C Snap-in

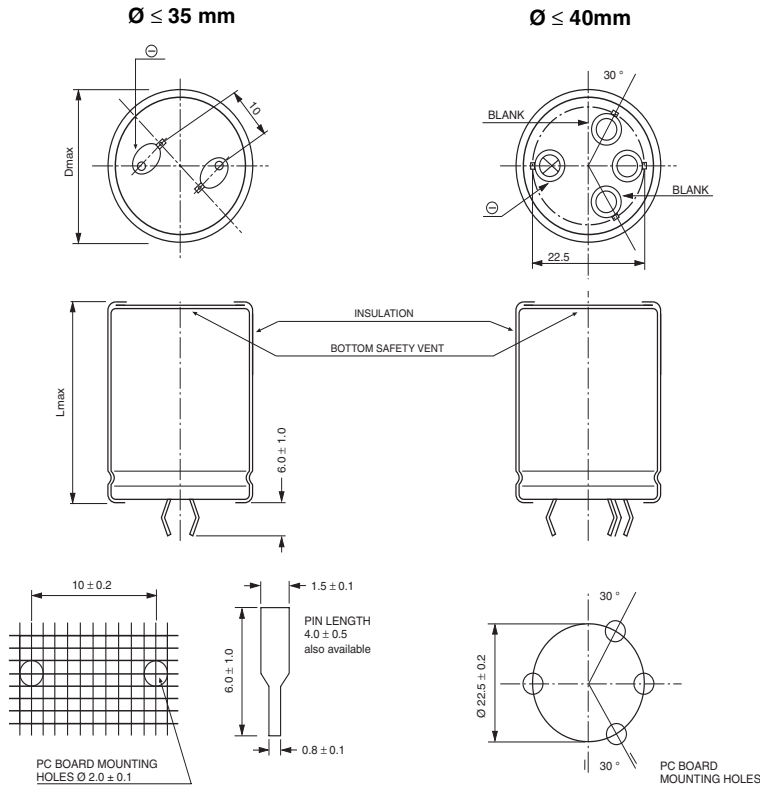
Vishay Roederstein

SELECTION CHART FOR C_R, U_R AND RELEVANT NOMINAL CASE SIZE (ØD x L in mm)							
C _R (µF)	U _R (V) > 100 V						
	160	200	250	350	400	450	500
47	-	-	-	-	-	22 x 20	-
56	-	-	-	-	-	22 x 20	-
68	-	-	-	-	22 x 20	22 x 25	22 x 30 25 x 20
82	-	-	-	22 x 20	22 x 25 25 x 20	22 x 20 25 x 25 30 x 20	22 x 35 25 x 30
100	-	-	-	22 x 25 25 x 20	22 x 30 25 x 25 30 x 20	22 x 35 25 x 30 30 x 25 35 x 20	22 x 40 25 x 35
120	-	-	-	22 x 30 25 x 25 30 x 20	22 x 30 25 x 25 30 x 20	22 x 40 25 x 35 30 x 25 35 x 20	25 x 40
150	-	22 x 25 25 x 20	-	22 x 35 25 x 30 30 x 20	22 x 35 25 x 30 30 x 25 35 x 20	22 x 50 25 x 40 30 x 30 35 x 25	30 x 35
180	-	22 x 20	22 x 25 25 x 20	22 x 40 25 x 35 30 x 25 35 x 20	22 x 40 25 x 35 30 x 25 35 x 25	25 x 45 30 x 25 35 x 25	30 x 40
220	22 x 20	22 x 25 25 x 20	22 x 25 25 x 25 30 x 20	22 x 45 25 x 35 30 x 30 35 x 25	22 x 45 25 x 40 30 x 30 35 x 25	25 x 50 30 x 40 35 x 30	30 x 45
270	22 x 25 25 x 20	22 x 25 25 x 25 30 x 20	22 x 30 25 x 25 30 x 20	25 x 45 30 x 35 35 x 25	25 x 45 30 x 35 35 x 30	30 x 45 35 x 35	35 x 45
330	22 x 25 25 x 20	22 x 30 25 x 25 30 x 20	22 x 35 25 x 30 30 x 25 35 x 20	25 x 50 30 x 40 35 x 30	25 x 50 30 x 40 35 x 30	30 x 50 35 x 40	35 x 50
390	22 x 25 25 x 25 30 x 20	22 x 30 25 x 25 30 x 25 35 x 20	22 x 40 25 x 30 30 x 25 35 x 20	30 x 45 35 x 35	30 x 45 35 x 35	35 x 45	-
470	22 x 30 25 x 25 30 x 20	22 x 35 25 x 30 30 x 25 35 x 20	22 x 45 25 x 35 30 x 30 35 x 25	30 x 50 35 x 40	30 x 50 35 x 40	35 x 50 40 x 40	40 x 50
560	22 x 35 25 x 30 30 x 25 35 x 20	22 x 40 25 x 35 30 x 25 35 x 25	22 x 50 25 x 40 30 x 30 35 x 25	35 x 45	35 x 45 40 x 40	40 x 50	40 x 60
680	22 x 40 25 x 30 30 x 25 35 x 20	22 x 45 25 x 40 30 x 30 35 x 25	25 x 45 30 x 35 35 x 30	35 x 50 40 x 40	40 x 50	40 x 60	40 x 60
820	22 x 45 25 x 35 30 x 30 35 x 25	22 x 50 25 x 45 30 x 35 35 x 30	30 x 40 35 x 35	40 x 50	40 x 60	-	-
1000	22 x 50 25 x 40 30 x 30 35 x 25	30 x 40 35 x 30	30 x 45 35 x 40	-	-	-	-
1200	25 x 45 30 x 35 35 x 30	30 x 45 35 x 35	35 x 45 40 x 40	-	-	-	-
1500	30 x 40 35 x 35	30 x 50 35 x 40	35 x 50 40 x 50	-	-	-	-
1800	35 x 40 40 x 40	35 x 45 40 x 40	40 x 60	-	-	-	-

Special values/dimensions on request.

Aluminum Capacitors
Standard - 85 °C Snap-in

DIMENSIONS in millimeters **AND AVAILABLE FORMS**



DIMENSION in millimeters AND PACKING QUANTITIES		
Normal case size $\text{ØD} \times \text{L}$	Maximum size $\text{D}_{\text{max}} \times \text{L}_{\text{max}}$	Packaging quantity pcs
22 x 20 22 x 25 22 x 30 22 x 35 22 x 40 22 x 45	23 x 22 23 x 27 23 x 32 23 x 37 23 x 42 23 x 47	200
25 x 20 25 x 25 25 x 30 25 x 35 25 x 40 25 x 50	26.4 x 22 26.4 x 27 26.4 x 32 26.4 x 37 26.4 x 42 26.4 x 52	150
30 x 20 30 x 25 30 x 30 30 x 35 30 x 40 30 x 45 30 x 50	31 x 22 31 x 27 31 x 32 31 x 37 31 x 42 31 x 47 31 x 52	100
35 x 20 35 x 25 35 x 30 35 x 35 35 x 40 35 x 45 35 x 50	36 x 22 36 x 27 36 x 32 36 x 37 36 x 42 36 x 47 36 x 52	70
40 x 40 40 x 50 40 x 60	41 x 42 41 x 52 41 x 62	50



Aluminum Capacitors
Standard - 85 °C Snap-in

Vishay Roederstein

ELECTRICAL DATA	
SYMBOL	DESCRIPTION
C _R	Rated capacitance at 120 Hz
U _R	Rated voltage
Tan δ	Dissipation factor at 120 Hz
R _{ESR}	Equivalent series resistance at 120 Hz
Z	Impedance at 10 kHz
I _R	Rated alternating current (rms) at 120 Hz, upper category temperature

Note

- Unless otherwise specified, all electrical values apply at
T_{amb} = 20 °C, P = 80 to 120 kPa, RH = 45 to 75%.

ORDERING EXAMPLE

The 12th place of ordering code refers to the length of the snap-in pins

EYN07 ...02 0 = snap-in pin 6mm
EYN07 ...42 4 = snap-in pin 4mm

The 13th place of ordering code refers to the kind of insulation

EYN07 ...02 2 = fully insulated (standard)

On special request only:

EYN07 ...01 1 = sleeve insulation

The 14th place (□), not indicated in the following table, is an inter-company code and is not relevant to your order.

EYN07LV44F42 = EYN 4700 μF/35 V 22mm x 30mm, snap-in pin 4mm, fully insulated

ELECTRICAL DATA AND ORDERING INFORMATION

U _R (V)	C _R 120 Hz (μF)	NOMINAL CASE SIZE D x L (mm)	Tan δ 120 Hz MAX.	R _{ESR} 120 Hz max. (Ω)	Z 10 kHz MAX. (Ω)	I _R 120 Hz 85 °C (A)	WEIGHT [G]	CATALOG NUMBER
6.3	15000	22 x 25	0.59	0.055	0.045	2.9	14	EYN07LU515B02□
6.3	18000	22 x 30	0.62	0.050	0.040	3.3	16	EYN07LV518B02□
6.3	18000	25 x 25	0.62	0.050	0.040	3.4	18	EYN07AU518B02□
6.3	22000	22 x 35	0.66	0.040	0.035	3.7	19	EYN07LA522B02□
6.3	22000	25 x 25	0.66	0.040	0.035	3.6	18	EYN07AU522B02□
6.3	27000	22 x 40	0.71	0.035	0.030	4.1	22	EYN07LB527B02□
6.3	27000	25 x 30	0.71	0.035	0.030	4.1	21	EYN07AV527B02□
6.3	27000	30 x 25	0.71	0.035	0.030	4.2	25	EYN07BU527B02□
6.3	33000	22 x 45	0.77	0.035	0.030	4.6	24	EYN07LC533B02□
6.3	33000	25 x 35	0.77	0.035	0.030	4.5	25	EYN07AA533B02□
6.3	33000	30 x 30	0.77	0.035	0.030	4.6	30	EYN07BV533B02□
6.3	39000	22 x 50	0.83	0.030	<0.030	5.0	27	EYN07LD539B02□
6.3	39000	25 x 40	0.83	0.030	<0.030	4.9	28	EYN07AB539B02□
6.3	39000	30 x 30	0.83	0.030	<0.030	4.8	30	EYN07BV539B02□
6.3	39000	35 x 25	0.83	0.030	<0.030	4.9	34	EYN07CU539B02□
6.3	47000	25 x 45	0.91	0.030	<0.030	5.4	31	EYN07AC547B02□
6.3	47000	30 x 35	0.91	0.030	<0.030	5.3	35	EYN07BA547B02□
6.3	47000	35 x 30	0.91	0.030	<0.030	5.4	41	EYN07CV547B02□
6.3	56000	25 x 50	1.00	<0.030	<0.030	5.8	35	EYN07AD556B02□
5.8	56000	30 x 40	1.00	<0.030	<0.030	5.8	40	EYN07BB556B02□
6.3	56000	35 x 30	1.00	<0.030	<0.030	5.6	41	EYN07CV556B02□
6.3	68000	30 x 45	1.12	<0.030	<0.030	6.2	45	EYN07BC568B02□
6.3	68000	35 x 35	1.12	<0.030	<0.030	6.1	48	EYN07CA568B02□
6.3	100000	35 x 40	1.44	<0.030	<0.030	7.1	62	EYN07CC610B02□
6.3	100000	40 x 40	1.44	<0.030	<0.030	7.2	72	EYN07DB610B02□
10	12000	22 x 25	0.51	0.060	0.050	2.8	14	EYN07LU512C02□
10	15000	22 x 30	0.54	0.050	0.040	3.2	16	EYN07LV515C02□
10	15000	25 x 25	0.54	0.050	0.040	2.9	18	EYN07AU515C02□
10	18000	22 x 35	0.57	0.045	0.035	3.6	19	EYN07LA518C02□
10	18000	25 x 25	0.57	0.045	0.035	3.5	18	EYN07AU518C02□
10	22000	22 x 40	0.61	0.040	0.030	4.1	22	EYN07LB522C02□
10	22000	25 x 30	0.61	0.040	0.030	4.0	21	EYN07AV522C02□
10	22000	30 x 25	0.61	0.040	0.030	4.1	25	EYN07BU522C02□
10	27000	22 x 45	0.66	0.035	0.030	4.5	24	EYN07LC527C02□
10	27000	25 x 35	0.66	0.035	0.030	4.5	25	EYN07AA527C02□
10	27000	30 x 30	0.66	0.035	0.030	4.6	30	EYN07BV527C02□
10	33000	22 x 50	0.72	0.030	<0.030	4.9	27	EYN07LD533C02□
10	33000	25 x 40	0.72	0.030	<0.030	4.9	28	EYN07AB533C02□
10	33000	30 x 30	0.72	0.030	<0.030	4.8	30	EYN07BV533C02□

ELECTRICAL DATA AND ORDERING INFORMATION								
U _R (V)	C _R 120 Hz (μF)	NOMINAL CASE SIZE D x L (mm)	Tan δ 120 Hz MAX.	R _{ESR} 120 Hz max. (Ω)	Z 10 kHz MAX. (Ω)	I _R 120 Hz 85 °C (A)	WEIGHT [G]	CATALOG NUMBER
10	33000	35 x 25	0.72	0.030	<0.030	4.9	34	EYN07CU533C02□
10	39000	25 x 45	0.78	0.030	<0.030	5.4	31	EYN07AC539C02□
10	39000	30 x 25	0.78	0.030	<0.030	5.3	25	EYN07BU539C02□
10	39000	35 x 30	0.78	0.030	<0.030	5.4	41	EYN07CV539C02□
10	47000	25 x 50	0.86	<0.030	<0.030	5.8	35	EYN07AD547C02□
10	47000	30 x 40	0.86	<0.030	<0.030	5.8	40	EYN07BB547C02□
10	47000	35 x 30	0.86	<0.030	<0.030	5.6	41	EYN07CV547C02□
10	56000	30 x 45	0.95	<0.030	<0.030	6.2	45	EYN07BC556C02□
10	56000	35 x 35	0.95	<0.030	<0.030	6.1	48	EYN07CA556C02□
10	68000	35 x 40	1.07	<0.030	<0.030	6.6	55	EYN07CB568C02□
10	100000	40 x 50	1.39	<0.030	<0.030	7.9	89	EYN07DD610C02□
16	10000	22 x 25	0.44	0.060	0.050	2.8	14	EYN07LU510C02□
16	12000	22 x 30	0.46	0.055	0.040	3.0	16	EYN07LV512D02□
16	12000	25 x 25	0.46	0.055	0.040	3.3	18	EYN07AU512D02□
16	15000	22 x 35	0.49	0.045	0.035	3.6	19	EYN07LA515D02□
16	15000	25 x 30	0.49	0.045	0.035	3.8	21	EYN07AV515D02□
16	15000	30 x 25	0.49	0.045	0.035	3.9	25	EYN07BU515D02□
16	18000	22 x 40	0.52	0.040	0.030	4.1	22	EYN07LB518D02□
16	18000	25 x 35	0.52	0.040	0.030	4.2	25	EYN07AA518D02□
16	18000	30 x 30	0.52	0.040	0.030	4.3	30	EYN07BV518D02□
16	22000	22 x 50	0.56	0.035	0.030	4.7	27	EYN07LD522D02□
16	22000	25 x 40	0.56	0.035	0.030	4.7	28	EYN07AB522D02□
16	22000	30 x 30	0.56	0.035	0.030	4.6	30	EYN07BV522D02□
16	27000	25 x 45	0.61	0.030	<0.030	5.2	31	EYN07AC527D02□
16	27000	30 x 35	0.61	0.030	<0.030	5.1	35	EYN07BA527D02□
16	27000	35 x 25	0.61	0.030	<0.030	4.9	34	EYN07CU527D02□
16	33000	30 x 40	0.67	0.030	<0.030	5.6	40	EYN07BB533D02□
16	33000	35 x 30	0.67	0.030	<0.030	5.4	41	EYN07CV533D02□
16	39000	30 x 45	0.73	<0.030	<0.030	6.0	45	EYN07BC539D02□
16	39000	35 x 35	0.73	<0.030	<0.030	5.9	48	EYN07CA539D02□
16	47000	30 x 50	0.81	<0.030	<0.030	6.5	50	EYN07BD547D02□
16	47000	35 x 40	0.81	<0.030	<0.030	6.4	55	EYN07CB547D02□
16	56000	35 x 45	0.90	<0.030	<0.030	6.9	62	EYN07CC556D02□
16	56000	40 x 40	0.90	<0.030	<0.030	7.0	72	EYN07DB556D02□
16	68000	35 x 50	1.02	<0.030	<0.030	7.3	68	EYN07CD568D02□
16	68000	40 x 50	1.02	<0.030	<0.030	7.8	89	EYN07DD568D02□
16	100000	40 x 60	1.34	<0.030	<0.030	8.7	107	EYN07DF610D02□
25	5600	22 x 25	0.37	0.090	0.070	2.3	14	EYN07LU456E02□
25	6800	22 x 30	0.38	0.075	0.060	2.6	16	EYN07LV468E02□
25	6800	25 x 25	0.38	0.075	0.060	2.7	18	EYN07AU468E02□
25	8200	22 x 35	0.39	0.065	0.050	2.9	19	EYN07LA482E02□
25	8200	25 x 30	0.39	0.065	0.050	3.0	21	EYN07AV482E02□
25	10000	22 x 40	0.41	0.055	0.045	3.4	22	EYN07LB510E02□
25	10000	25 x 30	0.41	0.055	0.045	3.3	21	EYN07AV510E02□
25	10000	30 x 25	0.41	0.055	0.045	3.4	25	EYN07BU510E02□
25	12000	22 x 45	0.42	0.050	0.035	3.7	24	EYN07LC512E02□
25	12000	25 x 35	0.42	0.050	0.035	3.7	25	EYN07AA512E02□
25	12000	30 x 30	0.42	0.050	0.035	3.8	30	EYN07BV512E02□
25	15000	22 x 50	0.44	0.040	0.030	4.2	27	EYN07LD515E02□
25	15000	25 x 40	0.44	0.040	0.030	4.2	28	EYN07AB515E02□
25	15000	30 x 35	0.44	0.040	0.030	4.3	35	EYN07BA515E02□
25	18000	25 x 45	0.47	0.035	0.030	4.6	31	EYN07AC518E02□
25	18000	30 x 35	0.47	0.035	0.030	4.6	35	EYN07BA518E02□
25	18000	35 x 30	0.47	0.035	0.030	4.7	41	EYN07CV518E02□
25	22000	30 x 45	0.50	0.030	<0.030	5.3	45	EYN07BC522E02□
25	22000	35 x 35	0.50	0.030	<0.030	5.2	48	EYN07CA522E02□
25	27000	30 x 50	0.54	0.030	<0.030	5.8	50	EYN07BD527E02□
25	27000	35 x 40	0.54	0.030	<0.030	5.7	55	EYN07CB527E02□
25	33000	35 x 45	0.58	<0.030	<0.030	6.2	62	EYN07CC533E02□
25	33000	40 x 40	0.58	<0.030	<0.030	6.4	72	EYN07DB533E02□



Aluminum Capacitors
Standard - 85 °C Snap-in

Vishay Roederstein

ELECTRICAL DATA AND ORDERING INFORMATION								
U _R (V)	C _R 120 Hz (μF)	NOMINAL CASE SIZE D x L (mm)	Tan δ 120 Hz MAX.	R _{ESR} 120 Hz max. (Ω)	Z 10 kHz MAX. (Ω)	I _R 120 Hz 85 °C (A)	WEIGHT [G]	CATALOG NUMBER
35	4700	22 x 30	0.29	0.085	0.060	2.6	16	EYN07LV447F02□
35	4700	25 x 25	0.29	0.085	0.060	2.5	18	EYN07AU447F02□
35	5600	22 x 35	0.30	0.075	0.055	2.8	19	EYN07LA456F02□
35	5600	25 x 30	0.30	0.075	0.055	2.9	21	EYN07AV456F02□
35	6800	22 x 40	0.30	0.060	0.045	3.2	22	EYN07LB468F02□
35	6800	25 x 30	0.30	0.060	0.045	3.1	21	EYN07AV468F02□
35	6800	30 x 25	0.30	0.060	0.045	3.2	25	EYN07BU468F02□
35	8200	22 x 45	0.31	0.055	0.040	3.5	24	EYN07LC482F02□
35	8200	25 x 35	0.31	0.055	0.040	3.5	25	EYN07AA482F02□
35	8200	30 x 30	0.31	0.055	0.040	3.6	30	EYN07BV482F02□
35	10000	22 x 50	0.32	0.045	0.035	4.0	27	EYN07LD510F02□
35	10000	25 x 40	0.32	0.045	0.035	4.0	28	EYN07AB510F02□
35	10000	30 x 30	0.32	0.045	0.035	3.9	30	EYN07BV510F02□
35	12000	25 x 45	0.34	0.040	0.030	4.4	31	EYN07AC512F02□
35	12000	30 x 35	0.34	0.040	0.030	4.3	35	EYN07BA512F02□
35	12000	35 x 30	0.34	0.040	0.030	4.5	41	EYN07CV512F02□
35	15000	30 x 40	0.36	0.035	<0.030	4.9	40	EYN07BB515F02□
35	15000	35 x 35	0.36	0.035	<0.030	5.0	48	EYN07CA515F02□
35	18000	30 x 45	0.38	0.030	<0.030	5.3	45	EYN07BC518F02□
35	18000	35 x 40	0.38	0.030	<0.030	5.5	55	EYN07CB518F02□
35	22000	35 x 45	0.40	<0.030	<0.030	6.0	62	EYN07CC522F02□
35	22000	40 x 40	0.40	<0.030	<0.030	6.1	72	EYN07DB522F02□
35	27000	40 x 50	0.43	<0.030	<0.030	6.9	89	EYN07DD527F02□
35	33000	40 x 50	0.47	<0.030	<0.030	7.2	89	EYN07DD533F02□
50	3300	22 x 30	0.23	0.095	0.075	2.5	16	EYN07LV433H02□
50	3300	25 x 25	0.23	0.095	0.075	2.6	18	EYN07AU433H02□
50	4700	22 x 40	0.24	0.070	0.055	3.3	22	EYN07LB447H02□
50	4700	25 x 35	0.24	0.070	0.055	3.4	25	EYN07AA447H02□
50	4700	30 x 25	0.24	0.070	0.055	3.3	25	EYN07BU447H02□
50	4700	35 x 25	0.24	0.070	0.055	3.6	34	EYN07CU447H02□
50	5600	22 x 45	0.24	0.060	0.045	3.6	24	EYN07LC456H02□
50	5600	25 x 40	0.24	0.060	0.045	3.8	28	EYN07AB456H02□
50	5600	30 x 30	0.24	0.060	0.045	3.7	30	EYN07BV456H02□
50	5600	35 x 25	0.24	0.060	0.045	3.8	34	EYN07CU456H02□
50	6800	22 x 50	0.25	0.050	0.040	4.1	27	EYN07LD468H02□
50	6800	25 x 40	0.25	0.050	0.040	4.0	28	EYN07AB468H02□
50	6800	30 x 35	0.25	0.050	0.040	4.2	35	EYN07DF527H02□
50	6800	35 x 30	0.25	0.050	0.040	4.3	41	EYN07CV468H02□
50	8200	25 x 50	0.26	0.045	0.035	4.6	35	EYN07AD482H02□
50	8200	30 x 40	0.26	0.045	0.035	4.6	40	EYN07BB482H02□
50	8200	35 x 30	0.26	0.045	0.035	4.5	41	EYN07CV482H02□
50	10000	30 x 45	0.26	0.035	0.030	5.2	45	EYN07BC510H02□
50	10000	35 x 35	0.26	0.035	0.030	5.1	48	EYN07CA510H02□
50	12000	30 x 50	0.27	0.035	<0.030	5.6	50	EYN07BD512H02□
50	12000	35 x 40	0.27	0.035	<0.030	5.6	55	EYN07CB512H02□
50	15000	35 x 45	0.28	0.030	<0.030	6.1	62	EYN07CC515H02□
50	18000	35 x 50	0.30	<0.030	<0.030	6.6	68	EYN07CD518H02□
50	18000	40 x 40	0.30	<0.030	<0.030	6.5	72	EYN07DB518H02□
50	22000	40 x 50	0.31	<0.030	<0.030	7.3	89	EYN07DD522H02□
50	27000	40 x 60	0.34	<0.030	<0.030	8.0	107	EYN07DF527H02□

ELECTRICAL DATA AND ORDERING INFORMATION

U_R (V)	C_R 120 Hz (μ F)	NOMINAL CASE SIZE D x L (mm)	$\tan \delta$ 120 Hz MAX.	R_{ESR} 120 Hz max. (Ω)	Z 10 kHz MAX. (Ω)	I_R 120 Hz 85 °C (A)	WEIGHT [G]	CATALOG NUMBER
63	1800	22 x 25	0.20	0.150	0.105	1.9	14	EYN07LU418J02□
63	2200	22 x 30	0.20	0.125	0.090	2.1	16	EYN07LV422J02□
63	2200	25 x 25	0.20	0.125	0.090	2.2	18	EYN07AU422J02□
63	2700	22 x 35	0.21	0.105	0.075	2.5	19	EYN07LA427J02□
63	2700	25 x 30	0.21	0.105	0.075	2.6	21	EYN07AV427J02□
63	3300	22 x 35	0.21	0.085	0.060	2.7	19	EYN07LA433J02□
63	3300	25 x 30	0.21	0.085	0.060	2.8	21	EYN07AV433J02□
63	3300	30 x 25	0.21	0.085	0.060	2.8	25	EYN07BU433J02□
63	3900	22 x 40	0.21	0.075	0.055	3.1	22	EYN07LB439J02□
63	3900	25 x 35	0.21	0.075	0.055	3.2	25	EYN07AA439J02□
63	3900	30 x 30	0.21	0.075	0.055	3.3	30	EYN07BV439J02□
63	4700	22 x 50	0.22	0.065	0.045	3.6	27	EYN07LD447J02□
63	4700	25 x 40	0.22	0.065	0.045	3.6	28	EYN07AB447J02□
63	4700	30 x 35	0.22	0.065	0.045	3.5	35	EYN07BA447J02□
63	4700	35 x 30	0.22	0.065	0.045	3.6	41	EYN07CV447J02□
63	5600	25 x 45	0.22	0.055	0.040	4.0	31	EYN07AC456J02□
63	5600	30 x 35	0.22	0.055	0.040	3.9	35	EYN07BA456J02□
63	5600	35 x 30	0.22	0.055	0.040	4.0	41	EYN07CV456J02□
63	6800	25 x 50	0.23	0.045	0.035	4.4	35	EYN07AD468J02□
63	6800	30 x 40	0.23	0.045	0.035	4.4	40	EYN07BB468J02□
63	6800	35 x 30	0.23	0.045	0.035	4.3	41	EYN07CV468J02□
63	8200	30 x 45	0.24	0.040	0.030	4.8	45	EYN07BC482J02□
63	8200	35 x 35	0.24	0.040	0.030	4.7	48	EYN07CA482J02□
63	10000	30 x 50	0.25	0.035	<0.030	5.4	50	EYN07BD510J02□
63	10000	35 x 40	0.25	0.035	<0.030	5.3	55	EYN07CB510J02□
63	12000	35 x 45	0.26	0.030	<0.030	5.8	62	EYN07CC512J02□
63	12000	40 x 40	0.26	0.030	<0.030	5.9	72	EYN07DB512J02□
100	1200	22 x 30	0.15	0.165	0.115	2.0	16	EYN07LV412L02□
100	1200	25 x 25	0.15	0.165	0.165	2.1	18	EYN07AU412L02□
100	1500	22 x 35	0.15	0.135	0.090	2.4	19	EYN07LA415L02□
100	1500	25 x 30	0.15	0.135	0.090	2.5	21	EYN07AV415L02□
100	1500	30 x 25	0.15	0.135	0.090	2.6	25	EYN07BU415L02□
100	1800	22 x 40	0.15	0.115	0.080	2.8	22	EYN07LB418L02□
100	1800	25 x 35	0.15	0.115	0.080	2.9	25	EYN07AA418L02□
100	1800	30 x 30	0.15	0.115	0.080	3.0	30	EYN07BV418L02□
100	2200	22 x 45	0.15	0.095	0.065	3.0	24	EYN07LC422L02□
100	2200	25 x 40	0.15	0.095	0.065	3.2	28	EYN07AB422L02□
100	2200	30 x 30	0.15	0.095	0.065	3.1	30	EYN07BV422L02□
100	2700	25 x 45	0.16	0.080	0.055	3.7	31	EYN07AC427L02□
100	2700	30 x 35	0.16	0.080	0.055	3.6	35	EYN07BA427L02□
100	2700	35 x 30	0.16	0.080	0.055	3.7	41	EYN07CV427L02□
100	3300	25 x 50	0.16	0.065	0.045	4.0	35	EYN07AD433L02□
100	3300	25 x 40	0.16	0.065	0.045	4.0	40	EYN07BB433L02□
100	3300	35 x 35	0.16	0.065	0.045	4.1	48	EYN07CA433L02□
100	3900	30 x 45	0.16	0.060	0.040	4.6	45	EYN07BC439L02□
100	3900	35 x 35	0.16	0.060	0.040	4.5	48	EYN07CA439L02□
100	4700	30 x 50	0.17	0.050	0.035	5.0	50	EYN07BD447L02□
100	4700	35 x 40	0.17	0.050	0.035	4.9	55	EYN07CB447L02□
100	5600	35 x 45	0.17	0.045	0.030	5.4	62	EYN07CC456L02□
100	5600	40 x 40	0.17	0.045	0.030	5.5	72	EYN07DB456L02□
100	6800	40 x 50	0.18	0.040	<0.030	6.3	89	EYN07DD468L02□
100	8200	40 x 50	0.19	0.035	<0.030	6.5	89	EYN07DD482L02□



Aluminum Capacitors
Standard - 85 °C Snap-in

Vishay Roederstein

ELECTRICAL DATA AND ORDERING INFORMATION								
U _R (V)	C _R 120 Hz (μF)	NOMINAL CASE SIZE D x L (mm)	Tan δ 120 Hz MAX.	R _{ESR} 120 Hz max. (Ω)	Z 10 kHz MAX. (Ω)	I _R 120 Hz 85 °C (A)	WEIGHT [G]	CATALOG NUMBER
160	220	22 x 20	0.14	0.825	0.595	0.86	11	EYN07LW322M02□
160	270	22 x 25	0.14	0.680	0.490	1.0	14	EYN07LU327M02□
160	270	25 x 20	0.14	0.680	0.490	1.1	14	EYN07AW327M02□
160	330	22 x 25	0.14	0.565	0.405	1.1	14	EYN07LU333M02□
160	330	25 x 20	0.14	0.565	0.405	1.2	14	EYN07AW333M02□
160	390	22 x 25	0.14	0.485	0.350	1.2	14	EYN07LU339M02□
160	390	25 x 25	0.14	0.485	0.350	1.4	18	EYN07AU339M02□
160	390	30 x 20	0.14	0.485	0.350	1.4	20	EYN07BW339M02□
160	470	22 x 30	0.14	0.410	0.295	1.4	16	EYN07LV347M02□
160	470	25 x 25	0.14	0.410	0.295	1.5	18	EYN07AU347M02□
160	470	30 x 20	0.14	0.410	0.295	1.5	20	EYN07BW347M02□
160	560	22 x 35	0.15	0.350	0.250	1.7	19	EYN07LA356M02□
160	560	25 x 30	0.15	0.350	0.250	1.7	21	EYN07AV356M02□
160	560	30 x 25	0.15	0.350	0.250	1.8	25	EYN07BU356M02□
160	560	35 x 20	0.15	0.350	0.250	1.8	27	EYN07CW356M02□
160	680	22 x 40	0.15	0.295	0.215	1.9	22	EYN07LB368M02□
160	680	25 x 30	0.15	0.295	0.215	1.9	21	EYN07AV368M02□
160	680	30 x 25	0.15	0.295	0.215	1.9	25	EYN07BU368M02□
160	680	35 x 20	0.15	0.295	0.215	2.0	27	EYN07CW368M02□
160	820	22 x 45	0.15	0.250	0.180	2.2	24	EYN07LC382M02□
160	820	25 x 35	0.15	0.250	0.180	2.2	25	EYN07AA382M02□
160	820	30 x 30	0.15	0.250	0.180	2.3	30	EYN07BV382M02□
160	820	35 x 25	0.15	0.250	0.180	2.3	34	EYN07CU382M02□
160	1000	22 x 50	0.16	0.215	0.155	2.6	27	EYN07LD410M02□
160	1000	25 x 40	0.16	0.215	0.155	2.6	28	EYN07AB410M02□
160	1000	30 x 30	0.16	0.215	0.155	2.5	30	EYN07BV410M02□
160	1000	35 x 25	0.16	0.215	0.155	2.6	34	EYN07CU410M02□
160	1200	25 x 45	0.16	0.185	0.135	2.7	31	EYN07AC412M02□
160	1200	30 x 35	0.16	0.185	0.135	2.7	35	EYN07BA412M02□
160	1200	35 x 30	0.16	0.185	0.135	2.8	41	EYN07CV412M02□
160	1500	30 x 40	0.17	0.155	0.115	3.2	40	EYN07BB415M02□
160	1500	35 x 35	0.17	0.155	0.115	3.3	48	EYN07CA415M02□
160	1800	35 x 40	0.18	0.135	0.100	3.7	55	EYN07CB418M02□
160	1800	40 x 40	0.18	0.135	0.100	4.0	72	EYN07DB418M02□
200	180	22 x 20	0.13	0.925	0.695	0.77	11	EYN07LW318S02□
200	220	22 x 25	0.13	0.765	0.575	0.93	14	EYN07LU322S02□
200	220	25 x 20	0.13	0.765	0.575	0.94	14	EYN07AW322S02□
200	270	22 x 25	0.13	0.630	0.475	1.0	14	EYN07LU327S02□
200	270	25 x 25	0.13	0.630	0.475	1.1	18	EYN07AU327S02□
200	270	30 x 20	0.13	0.630	0.475	1.1	20	EYN07BW327S02□
200	330	22 x 30	0.13	0.525	0.395	1.2	16	EYN07LV333S02□
200	330	25 x 25	0.13	0.525	0.395	1.2	18	EYN07AU333S02□
200	330	30 x 20	0.13	0.525	0.395	1.3	20	EYN07BW333S02□
200	390	22 x 30	0.13	0.450	0.335	1.3	16	EYN07LV339S02□
200	390	25 x 25	0.13	0.450	0.335	1.4	18	EYN07AU339S02□
200	390	30 x 25	0.13	0.450	0.335	1.5	25	EYN07BU339S02□
200	390	35 x 20	0.13	0.450	0.335	1.5	27	EYN07CW339S02□
200	470	22 x 35	0.13	0.380	0.285	1.5	19	EYN07LA347S02□
200	470	25 x 30	0.13	0.380	0.285	1.6	21	EYN07AV347S02□

ELECTRICAL DATA AND ORDERING INFORMATION								
U _R (V)	C _R 120 Hz (μF)	NOMINAL CASE SIZE D x L (mm)	Tan δ 120 Hz MAX.	R _{ESR} 120 Hz max. (Ω)	Z 10 kHz MAX. (Ω)	I _R 120 Hz 85 °C (A)	WEIGHT [G]	CATALOG NUMBER
200	470	30 x 25	0.13	0.380	0.285	1.6	25	EYN07BU347S02□
200	470	35 x 20	0.13	0.380	0.285	1.6	27	EYN07CW347S02□
200	560	22 x 40	0.14	0.325	0.245	1.8	22	EYN07LB356S02□
200	560	25 x 35	0.14	0.325	0.245	1.8	25	EYN07AA356S02□
200	560	30 x 25	0.14	0.325	0.245	1.8	25	EYN07BU356S02□
200	560	35 x 25	0.14	0.325	0.245	1.9	34	EYN07CU356S02□
200	680	22 x 45	0.14	0.275	0.205	2.0	24	EYN07LC368S02□
200	680	25 x 40	0.14	0.275	0.205	2.1	28	EYN07AB368S02□
200	680	30 x 30	0.14	0.275	0.205	2.1	30	EYN07BV368S02□
200	680	35 x 25	0.14	0.275	0.205	2.1	34	EYN07CU368S02□
200	820	22 x 50	0.14	0.235	0.175	2.3	27	EYN07LD382S02□
200	820	25 x 45	0.14	0.235	0.175	2.4	31	EYN07AC382S02□
200	820	30 x 35	0.14	0.235	0.175	2.4	35	EYN07BA382S02□
200	820	35 x 30	0.14	0.235	0.175	2.4	41	EYN07CV382S02□
200	1000	30 x 40	0.15	0.200	0.150	2.8	40	EYN07BB410S02□
200	1000	35 x 30	0.15	0.200	0.150	2.7	41	EYN07CV410S02□
200	1200	30 x 45	0.15	0.175	0.130	3.0	45	EYN07BC410S02□
200	1200	35 x 35	0.15	0.175	0.130	2.9	48	EYN07CA412S02□
200	1500	30 x 50	0.16	0.145	0.110	3.5	50	EYN07BD415S02□
200	1500	35 x 40	0.16	0.145	0.110	3.4	55	EYN07CB415S02□
200	1800	35 x 45	0.17	0.130	0.100	3.9	62	EYN07CC418S02□
200	1800	40 x 40	0.17	0.130	0.100	4.0	72	EYN07DB418S02□
250	150	22 x 25	0.12	1.100	0.760	0.77	14	EYN07LU315N02□
250	150	25 x 20	0.12	1.100	0.760	0.78	14	EYN07AW315N02□
250	180	22 x 25	0.13	0.925	0.640	0.77	14	EYN07LU318N02□
250	180	25 x 20	0.13	0.925	0.640	0.86	14	EYN07AW318N02□
250	220	22 x 25	0.13	0.765	0.530	0.93	14	EYN07LU322N02□
250	220	25 x 25	0.13	0.765	0.530	1.0	18	EYN07AU322N02□
250	220	30 x 20	0.13	0.765	0.530	1.0	20	EYN07BW322N02□
250	270	22 x 30	0.13	0.630	0.435	1.1	16	EYN07LV327N02□
250	270	25 x 25	0.13	0.630	0.435	1.1	18	EYN07AU327N02□
250	270	30 x 20	0.13	0.630	0.435	1.1	20	EYN07BW327N02□
250	330	22 x 35	0.13	0.525	0.360	1.3	19	EYN07LA333N02□
250	330	25 x 30	0.13	0.525	0.360	1.3	21	EYN07AV333N02□
250	330	30 x 25	0.13	0.525	0.360	1.4	25	EYN07BU333N02□
250	330	35 x 20	0.13	0.525	0.360	1.4	27	EYN07CW333N02□
250	390	22 x 40	0.13	0.450	0.310	1.5	22	EYN07LB339N02□
250	390	25 x 30	0.13	0.450	0.310	1.4	21	EYN07AV339N02□
250	390	30 x 25	0.13	0.450	0.310	1.5	25	EYN07BU339N02□
250	390	35 x 20	0.13	0.450	0.310	1.5	27	EYN07CW339N02□
250	470	22 x 45	0.13	0.380	0.265	1.7	24	EYN07LC347N02□
250	470	25 x 35	0.13	0.380	0.265	1.7	25	EYN07AA347N02□
250	470	30 x 30	0.13	0.380	0.265	1.7	30	EYN07BV347N02□
250	470	35 x 25	0.13	0.380	0.265	1.8	34	EYN07CU347N02□
250	560	22 x 50	0.14	0.325	0.225	1.9	27	EYN07LD356N02□
250	560	25 x 40	0.14	0.325	0.225	1.9	28	EYN07AB356N02□
250	560	30 x 30	0.14	0.325	0.225	1.9	30	EYN07BV356N02□
250	560	35 x 25	0.14	0.325	0.225	1.9	34	EYN07CU356N02□
250	680	25 x 45	0.14	0.275	0.190	2.2	31	EYN07AC368N02□
250	680	30 x 35	0.14	0.275	0.190	2.2	35	EYN07BA368N02□
250	680	35 x 30	0.14	0.275	0.190	2.2	41	EYN07CV368N02□
250	820	30 x 40	0.14	0.235	0.165	2.5	40	EYN07BB382N02□



Aluminum Capacitors
Standard - 85 °C Snap-in

Vishay Roederstein

ELECTRICAL DATA AND ORDERING INFORMATION								
U _R (V)	C _R 120 Hz (μF)	NOMINAL CASE SIZE D x L (mm)	Tan δ 120 Hz MAX.	R _{ESR} 120 Hz max. (Ω)	Z 10 kHz MAX. (Ω)	I _R 120 Hz 85 °C (A)	WEIGHT [G]	CATALOG NUMBER
250	820	35 x 35	0.14	0.235	0.165	2.6	48	EYN07CA382N02□
250	1000	30 x 45	0.15	0.200	0.140	2.9	45	EYN07BC410N02□
250	1000	35 x 40	0.15	0.200	0.140	3.0	55	EYN07CB410N02□
250	1200	35 x 45	0.15	0.175	0.120	3.2	62	EYN07CC412N02□
250	1200	40 x 40	0.15	0.175	0.120	3.2	72	EYN07DB412N02□
250	1500	35 x 50	0.16	0.145	0.100	3.7	68	EYN07CD415N02□
250	1500	40 x 50	0.16	0.145	0.100	3.9	89	EYN07DD415N02□
250	1800	40 x 60	0.17	0.130	0.090	4.6	107	EYN07DF418N02□
350	82	22 x 20	0.12	1.980	1.370	0.53	11	EYN07LW282O02□
350	100	22 x 25	0.12	1.635	1.125	0.62	14	EYN07LU310O02□
350	100	25 x 20	0.12	1.635	1.125	0.64	14	EYN07AW310O02□
350	120	22 x 30	0.12	1.365	0.945	0.73	16	EYN07LV312O02□
350	120	25 x 25	0.12	1.365	0.945	0.75	18	EYN07AU312O02□
350	120	30 x 20	0.12	1.365	0.945	0.77	20	EYN07BW312O02□
350	150	22 x 35	0.12	1.100	0.760	0.86	19	EYN07LA315O02□
350	150	25 x 30	0.12	1.100	0.760	0.89	21	EYN07AV315O02□
350	150	30 x 20	0.12	1.100	0.760	0.86	20	EYN07BW315O02□
350	180	22 x 40	0.13	0.925	0.640	0.99	22	EYN07LB318O02□
350	180	25 x 35	0.13	0.925	0.640	1.0	25	EYN07AA318O02□
350	180	30 x 25	0.13	0.925	0.640	1.0	25	EYN07BU318O02□
350	180	35 x 20	0.13	0.925	0.640	1.0	27	EYN07CW318O02□
350	220	22 x 45	0.13	0.765	0.530	1.1	24	EYN07LC322O02□
350	220	25 x 35	0.13	0.765	0.530	1.1	25	EYN07AA322O02□
350	220	30 x 30	0.13	0.765	0.530	1.2	30	EYN07BV322O02□
350	220	35 x 25	0.13	0.765	0.530	1.2	34	EYN07CU322O02□
350	270	25 x 45	0.13	0.630	0.435	1.4	31	EYN07AC327O02□
350	270	30 x 35	0.13	0.630	0.435	1.4	35	EYN07BA327O02□
350	270	35 x 25	0.13	0.630	0.435	1.4	34	EYN07CU327O02□
350	330	25 x 50	0.13	0.525	0.360	1.6	35	EYN07AD333O02□
350	330	30 x 40	0.13	0.525	0.360	1.6	40	EYN07BB333O02□
350	330	35 x 30	0.13	0.525	0.360	1.6	41	EYN07CV333O02□
350	390	30 x 45	0.13	0.450	0.310	1.8	45	EYN07BC339O02□
350	390	35 x 35	0.13	0.450	0.310	1.8	48	EYN07CA339O02□
350	470	30 x 50	0.13	0.380	0.265	2.1	50	EYN07BD347O02□
350	470	35 x 40	0.13	0.380	0.265	2.0	55	EYN07CB347O02□
350	560	35 x 45	0.14	0.325	0.225	2.3	62	EYN07CC356O02□
350	680	35 x 50	0.14	0.275	0.190	2.7	68	EYN07CD368O02□
350	680	40 x 40	0.14	0.275	0.190	2.6	72	EYN07DB368O02□
350	820	40 x 50	0.14	0.235	0.165	3.1	89	EYN07DD382O02□
400	68	22 x 20	0.12	2.380	1.620	0.48	11	EYN07LW268X02□
400	82	22 x 25	0.12	1.980	1.350	0.56	14	EYN07LU282X02□
400	82	25 x 20	0.12	1.980	1.350	0.58	14	EYN07AW282X02□
400	100	22 x 30	0.12	1.635	1.110	0.66	16	EYN07LV310X02□
400	100	25 x 25	0.12	1.635	1.110	0.69	18	EYN07AU310X02□
400	100	30 x 20	0.12	1.635	1.110	0.70	20	EYN07BW310X02□
400	120	22 x 30	0.12	1.365	0.930	0.73	16	EYN07LV312X02□
400	120	25 x 25	0.12	1.365	0.930	0.75	18	EYN07AU312X02□
400	120	30 x 20	0.12	1.365	0.930	0.77	20	EYN07BW312X02□
400	150	22 x 35	0.12	1.100	0.750	0.86	19	EYN07LA315X02□
400	150	25 x 30	0.12	1.100	0.750	0.89	21	EYN07AV315X02□

ELECTRICAL DATA AND ORDERING INFORMATION

U_R (V)	C_R 120 Hz (μ F)	NOMINAL CASE SIZE D x L (mm)	$\tan \delta$ 120 Hz MAX.	R_{ESR} 120 Hz max. (Ω)	Z 10 kHz MAX. (Ω)	I_R 120 Hz 85 °c (A)	WEIGHT [G]	CATALOG NUMBER
400	150	30 x 25	0.12	1.100	0.750	0.92	25	EYN07BU315X02□
400	150	35 x 20	0.12	1.100	0.750	0.93	27	EYN07CW315X02□
400	180	22 x 40	0.13	0.925	0.630	0.99	22	EYN07LB318X02□
400	180	25 x 35	0.13	0.925	0.630	1.0	25	EYN07AA318X02□
400	180	30 x 25	0.13	0.925	0.630	1.0	25	EYN07BU318X02□
400	180	35 x 25	0.13	0.925	0.630	1.1	34	EYN07CU318X02□
400	220	22 x 45	0.13	0.765	0.520	1.1	24	EYN07LC322X02□
400	220	25 x 40	0.13	0.765	0.520	1.2	28	EYN07AB322X02□
400	220	30 x 30	0.13	0.765	0.520	1.2	30	EYN07BV322X02□
400	220	35 x 25	0.13	0.765	0.520	1.2	34	EYN07CU322X02□
400	270	25 x 45	0.13	0.630	0.430	1.4	31	EYN07AC327X02□
400	270	30 x 35	0.13	0.630	0.430	1.4	35	EYN07BA327X02□
400	270	35 x 30	0.13	0.630	0.430	1.4	41	EYN07CV327X02□
400	330	25 x 50	0.13	0.525	0.355	1.6	35	EYN07AD333X02□
400	330	30 x 40	0.13	0.525	0.355	1.6	40	EYN07BB333X02□
400	330	35 x 30	0.13	0.525	0.355	1.6	41	EYN07CV333X02□
400	390	30 x 45	0.13	0.450	0.305	1.8	45	EYN07BC339X02□
400	390	35 x 35	0.13	0.450	0.305	1.8	48	EYN07CA339X02□
400	470	30 x 50	0.13	0.380	0.260	2.1	50	EYN07BD347X02□
400	470	35 x 40	0.13	0.380	0.260	2.0	55	EYN07CB347X02□
400	560	35 x 45	0.14	0.325	0.220	2.3	62	EYN07CC356X02□
400	560	40 x 40	0.14	0.325	0.220	2.4	72	EYN07DB356X02□
400	680	40 x 50	0.14	0.275	0.190	2.8	89	EYN07DD368X02□
400	820	40 x 60	0.14	0.235	0.160	3.3	107	EYN07DF382X02□
450	47	22 x 20	0.15	4.275	2.990	0.36	11	EYN07LW247P02□
450	56	22 x 20	0.15	3.595	2.515	0.39	11	EYN07LW256P02□
450	68	22 x 25	0.15	2.965	2.075	0.46	14	EYN07LU268P02□
450	68	25 x 20	0.15	2.965	2.075	0.47	14	EYN07AW268P02□
450	82	22 x 30	0.15	2.465	1.730	0.54	16	EYN07LV282P02□
450	82	25 x 25	0.15	2.465	1.730	0.56	18	EYN07AU282P02□
450	82	30 x 20	0.15	2.465	1.730	0.57	20	EYN07BW282P02□
450	100	22 x 35	0.15	2.030	1.420	0.63	19	EYN07LA310P02□
450	100	25 x 30	0.15	2.030	1.420	0.65	21	EYN07AV310P02□
450	100	30 x 25	0.15	2.030	1.420	0.67	25	EYN07BU310P02□
450	100	35 x 20	0.15	2.030	1.420	0.68	27	EYN07CW310P02□
450	120	22 x 40	0.15	1.700	1.190	0.73	22	EYN07LB312P02□
450	120	25 x 35	0.15	1.700	1.190	0.76	25	EYN07AA312P02□
450	120	30 x 25	0.15	1.700	1.190	0.73	25	EYN07BU312P02□
450	120	35 x 20	0.15	1.700	1.190	0.75	27	EYN07CW312P02□
450	150	22 x 50	0.15	1.365	0.960	0.89	27	EYN07LD315P02□
450	150	25 x 40	0.15	1.365	0.960	0.89	28	EYN07AB315P02□
450	150	30 x 30	0.15	1.365	0.960	0.87	30	EYN07BV315P02□
450	150	35 x 25	0.15	1.365	0.960	0.89	34	EYN07CU315P02□
450	180	25 x 45	0.16	1.145	0.805	1.0	31	EYN07AC318P02□
450	180	30 x 35	0.16	1.145	0.805	1.0	35	EYN07BA318P02□
450	180	35 x 25	0.16	1.145	0.805	0.98	34	EYN07CU318P02□
450	220	25 x 50	0.16	0.945	0.660	1.2	35	EYN07AD322P02□
450	220	30 x 40	0.16	0.945	0.660	1.2	40	EYN07BB322P02□
450	220	35 x 30	0.16	0.945	0.660	1.1	41	EYN07CV322P02□
450	270	30 x 45	0.16	0.780	0.545	1.4	45	EYN07BC327P02□
450	270	35 x 35	0.16	0.780	0.545	1.3	48	EYN07CA327P02□
450	330	30 x 50	0.16	0.645	0.450	1.6	50	EYN07BD333P02□

ELECTRICAL DATA AND ORDERING INFORMATION								
U_R (V)	C_R 120 Hz (μF)	NOMINAL CASE SIZE D x L (mm)	Tan δ 120 Hz MAX.	R_{ESR} 120 Hz max. (Ω)	Z 10 kHz MAX. (Ω)	I_R 120 Hz 85 °C (A)	WEIGHT [G]	CATALOG NUMBER
450	330	35 x 40	0.16	0.645	0.450	1.5	55	EYN07CB333P02□
450	390	35 x 45	0.16	0.550	0.385	1.7	62	EYN07CC339P02□
450	470	35 x 50	0.16	0.465	0.325	2.0	68	EYN07CD347P02□
450	470	40 x 40	0.16	0.465	0.325	2.0	72	EYN07DB347P02□
450	560	40 x 50	0.17	0.395	0.280	2.3	89	EYN07DD356P02□
450	680	40 x 60	0.17	0.335	0.235	2.7	107	EYN07DF368P02□
500	68	22 x 30	0.15	2.965	1.930	0.44	16	EYN07LV268Y02□
500	82	22 x 35	0.15	2.465	1.605	0.51	19	EYN07LA282Y02□
500	82	25 x 30	0.15	2.465	1.605	0.53	21	EYN07AV282Y02□
500	100	22 x 40	0.15	2.030	1.320	0.60	22	EYN07LB310Y02□
500	100	25 x 35	0.15	2.030	1.320	0.62	25	EYN07AA310Y02□
500	120	25 x 40	0.15	1.700	1.105	0.71	28	EYN07AB312Y02□
500	150	30 x 35	0.15	1.365	0.890	0.82	35	EYN07BA315Y02□
500	180	30 x 40	0.16	1.145	0.745	0.94	40	EYN07BB318Y02□
500	220	30 x 45	0.16	0.945	0.615	1.1	45	EYN07BC322Y02□
500	270	35 x 45	0.16	0.780	0.505	1.3	62	EYN07CC327Y02□
500	330	35 x 50	0.16	0.645	0.420	1.5	68	EYN07CD333Y02□
500	470	40 x 50	0.16	0.465	0.305	1.9	89	EYN07DD347Y02□
500	560	40 x 60	0.17	0.395	0.260	2.2	107	EYN07DF356Y02□
500	680	40 x 60	0.17	0.335	0.220	2.4	107	EYN07DF368Y02□

LOW TEMPERATURE BEHAVIOUR

Table for the calculation of the maximum 10 KHz impedance at low temperatures:

$$Z(10\text{ kHz})[\Omega] = \frac{\text{Tabular value}}{C_R[\mu\text{F}]}$$

T_a (°C)	RATED VOLTAGE U_R (V)														
	6.3	10	16	25	35	50	63	100	160	200	250	350	400	450	500
25	9000	7200	5400	4050	3150	2700	2250	1710	1960	1820	1680	1870	1870	1870	1870
40	30000	24000	18000	13500	10500	12000	10000	7600	7000	6500	7200	6600	-	-	-

The lower limit of the series resistance and impedance is given by the ohmic part of the contact points and the foil resistance values. Therefore it will not always be possible to achieve calculated values below 0.03 Ω.

LEAKAGE CURRENT

Formula for the calculation of the maximum leakage current I_L for acceptance tests. Testing conditions: U_R, 20 °C, 5 minutes.

$$I_L(300\text{S})/\mu\text{A} \leq 3 \times \sqrt{(C_R/\mu\text{F}) \times (U_R/\text{V})}$$

LIFETIME TABLE $U_R \leq 100\text{ V}$

INTERRELATION BETWEEN ALTERNATING CURRENT, AMBIENT TEMPERATURE AND LIFETIME																
I/I_R (FREQUENCY-DEPENDANT)							LIFETIME MULTIPLIER L (DEPENDING ON I/I_R AND T_A)									
FREQUENCY (HZ)							AMBIENT TEMPERATURE T_A (°C)									
50	100	120	250	500	1000	>2500	40	45	50	55	60	65	70	75	80	85
0.00	0.00	0.00	0.00	0.00	0.00	0.00	66	42	27	17	11	7.6	5.1	3.5	2.4	1.7
0.17	0.19	0.20	0.22	0.23	0.23	0.24	62	40	26	17	11	7.4	5.0	3.4	2.3	1.6
0.34	0.39	0.40	0.43	0.45	0.46	0.47	53	34	22	15	9.9	6.7	4.5	3.1	2.2	1.5
0.51	0.58	0.60	0.65	0.68	0.70	0.71	43	28	19	12	8.4	5.8	4.0	2.8	1.9	1.4
0.68	0.78	0.80	0.86	0.90	0.93	0.94	32	22	15	10	6.9	4.8	3.4	2.4	1.7	1.2
0.85	0.97	1.00	1.08	1.13	1.16	1.18	23	16	11	7.8	5.5	3.8	2.7	1.9	1.4	1.00
1.02	1.17	1.20	1.30	1.35	1.39	1.42	16	12	8.3	5.9	4.2	3.0	2.2	1.6	1.1	
1.20	1.36	1.40	1.51	1.58	1.62	1.65	11	3.3	6.0	4.3	3.1	2.3	1.7	1.2		
1.37	1.56	1.60	1.73	1.81	1.85	1.89	7.7	6.0	4.2	3.1	2.3	1.7	1.3			
1.54	1.75	1.80	1.94	2.03	2.09	2.12	5.1	4.2	2.9	2.2	1.7	1.3				
1.71	1.95	2.00	2.16	2.26	2.32	2.36	3.4	2.9	2.0	1.6	1.2					
1.88	2.14	2.20	2.38	2.48	2.55	2.59	2.2	2.0	1.4	1.1						
2.05	2.34	2.40	2.59	2.71	2.78	2.83	1.5	1.4								
2.22	2.53	2.60	2.81	2.94	3.01	3.07	1.0									

combination not permitted

I_R Rated ripple current (120 Hz, rms) [A] at upper category temperature T_{uc} taken from data sheet.

I User ripple current [A].

T_a Ambient temperature of capacitor [°C].

L Useful life multiplier.

Regard L as a function of ambient temperature (x-axis) and of current (y-axis); use the current-axis according to the frequency.

LIFETIME TABLE $U_R > 100\text{ V}$

INTERRELATION BETWEEN ALTERNATING CURRENT, AMBIENT TEMPERATURE AND LIFETIME																
I/I_R (FREQUENCY-DEPENDANT)							LIFETIME MULTIPLIER L (DEPENDING ON I/I_R AND T_A)									
CURRENT RATIO I/I_R (DEPENDING ON FREQUENCY)							MULTIPLIER L FOR USEFUL LIFE (DEPENDING ON I/I_R AND T_A)									
50	100	120	250	500	1000	>2500	40	45	50	55	60	65	70	75	80	85
0.00	0.00	0.00	0.00	0.00	0.00	0.00	66	42	27	17	11	7.6	5.1	3.5	2.4	1.7
0.17	0.19	0.20	0.22	0.24	0.25	0.27	62	40	26	17	11	7.4	5.0	3.4	2.4	1.6
0.33	0.39	0.40	0.45	0.48	0.51	0.54	53	35	23	15	9.9	6.7	4.6	3.1	2.2	1.5
0.50	0.58	0.60	0.67	0.72	0.76	0.80	43	28	19	13	8.5	5.8	4.0	2.8	1.9	1.4
0.67	0.77	0.80	0.89	0.96	1.02	1.07	33	22	15	10	7.1	4.9	3.4	2.4	1.7	1.2
0.83	0.97	1.00	1.11	1.20	1.27	1.34	24	17	12	8.1	5.6	3.9	2.8	2.0	1.4	1.00
1.00	1.16	1.20	1.34	1.44	1.53	1.61	17	12	8.7	6.1	4.3	3.1	2.2	1.6	1.1	
1.17	1.36	1.40	1.56	1.68	1.78	1.88	12	8.7	6.3	4.5	3.3	2.4	1.7	1.2		
1.33	1.55	1.60	1.78	1.92	2.03	2.14	8.2	6.1	4.5	3.3	2.4	1.8	1.3			
1.50	1.74	1.80	2.01	2.16	2.29	2.41	5.6	4.2	3.1	2.3	1.7	1.3				
1.67	1.94	2.00	2.23	2.40	2.54	2.68	3.7	2.8	2.2	1.6	1.2					
1.83	2.13	2.20	2.45	2.64	2.80	2.95	2.4	1.9	1.5	1.1						
2.00	2.32	2.40	2.67	2.88	3.05	3.22	1.6	1.3	1.0							
2.17	2.52	2.60	2.90	3.12	3.31	3.48	1.0									

combination not permitted

I_R Rated ripple current (120 Hz, rms) [A] at upper category temperature, taken from data sheet.

I User ripple current [A].

T_a Ambient temperature of capacitor [°C].

L Useful life multiplier.

Regard L as a function of ambient temperature (x-axis) and of current (y-axis); use the current-axis according to the frequency.