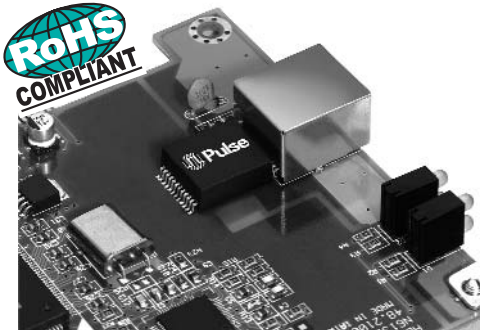








# 1000BASE-T MAGNETICS MODULES



## Designed to Support 1:1 Turns Ratio Transceivers



-  For RoHS part add suffix **NL**<sup>7</sup>
-  RoHS “NL” peak solder rating 260°C, non-RoHS peak solder rating 235°C
-  Designed for long haul Gigabit Ethernet (10/100/1000BASE-T) applications
-  H5008/9 designed to fit behind 1x1 RJ45 connector
-  Cable interface for isolation and low common mode emissions
-  Meets IEEE 802.3 specification

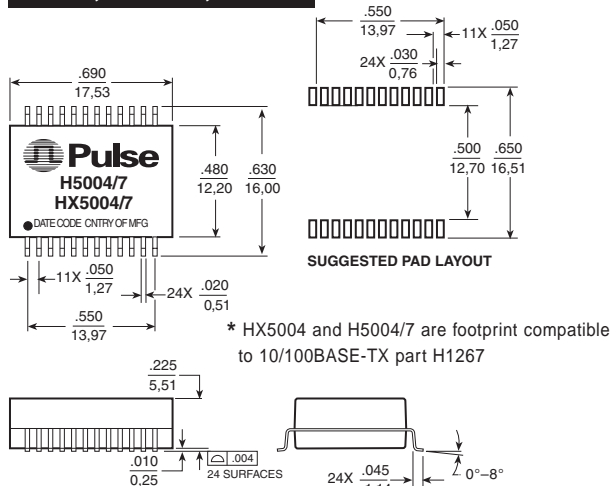
### Electrical Specifications @ 25°C — Operating Temperature 0°C to 70°C

Part # Number	RoHS <sup>7</sup>	Number of Ports	Insertion Loss (dB MAX)	Return Loss (dB MIN)					Differential to Common Mode Rejection (dB MIN)			Crosstalk (dB MIN)			Hipot (Vrms MIN)
				1-100 MHz	1-30 MHz	40 MHz	50 MHz	60-80 MHz	100 MHz	30 MHz	60 MHz	100 MHz	30 MHz	60 MHz	
H5004 <sup>1</sup>	5, 6c	1	1	-18	-18	-16	-12	-10	-43	-37	-33	-45	-40	-35	1500
HX5004 <sup>1,2</sup>	5, 6c	1	1	-18	-18	-16	-12	-10	-43	-37	-33	-45	-40	-35	1500
H5007 <sup>1,3</sup>	NL <sup>6d</sup>	1	1	-18	-18	-16	-12	-10	-43	-37	-33	-45	-40	-35	1500
H5008	5, 6c	1	1	-18	-18	-16	-12	-10	-43	-37	-33	-45	-40	-35	1500
HX5008 <sup>2</sup>	5, 6a	1	1	-18	-18	-16	-12	-10	-43	-37	-33	-45	-40	-35	1500
H5009	5, 6a	1	1	-18	-18	-16	-12	-10	-43	-37	-33	-45	-40	-35	1500
H5012 <sup>3</sup>	NL <sup>6a</sup>	2	1.4	-16	-14.4	-13.1	-12	-10	-45	-40	-35	-43.5	-37.5	-33	1500
H5014	5, 6a	2	1.4	-16	-14.4	-13.1	-12	-10	-45	-40	-35	-43.5	-37.5	-33	1500
HX5014 <sup>2</sup>	5, 6a	2	1.4	-16	-14.4	-13.1	-12	-10	-45	-40	-35	-43.5	-37.5	-33	1500
H5015	5, 6a	1	1	-18	-18	-16	-12	-10	-43	-37	-33	-45	-40	-35	1500
H5020	NL <sup>6c</sup>	2	1	-18	-14.4	-13.1	-12	-10	-40	-35	-30	-40	-35	-30	1500
HX5020 <sup>2</sup>	5, 6c	2	1	-18	-14.4	-13.1	-12	-10	-40	-35	-30	-40	-35	-30	1500

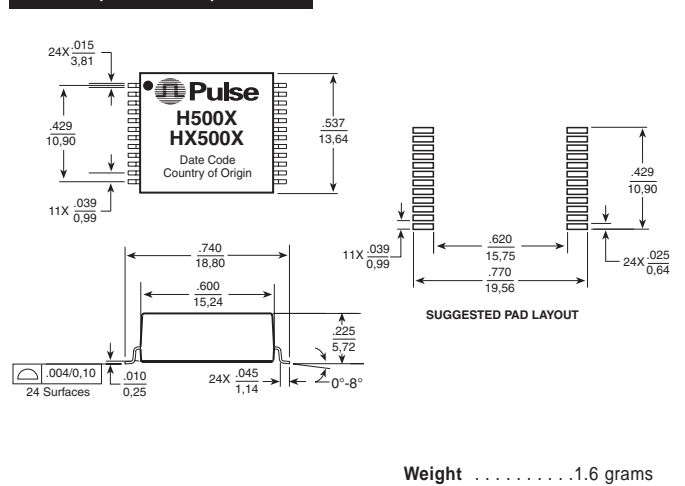
1. Footprint compatible product to H1267
2. HX: Extended temperature version -40°C to +85°C
3. Extended temperature part not available, select HX5004 or HX5014
4. For Tape & Reel packaging, add a “T” suffix at the end of the part number when ordering. e.g. H5007T
5. Contact Pulse for RoHS compliant part availability
6. MSL=Moisture Sensitivity Level a=1 b=2 c=3 d=4
7. Add suffix **NL** for RoHS compliant parts, e.g. H5007 changes to H5007NL or H5007NLT (for Tape and Reel)

## Mechanicals

### H5004, HX5004, H5007\*



### H5008, HX5008, H5009



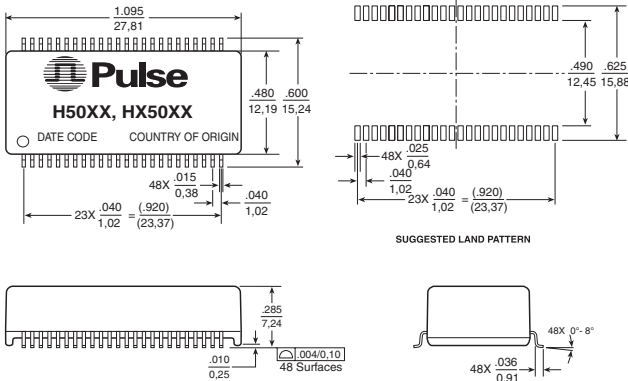
# 1000BASE-T MAGNETICS MODULES

## Designed to Support 1:1 Turns Ratio Transceivers



### Mechanicals (continued)

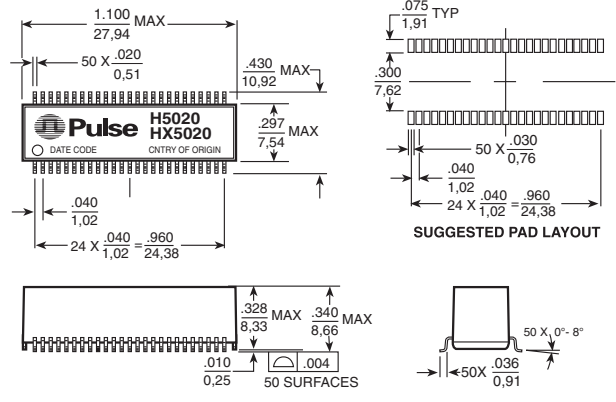
#### H5012, H5014, HX5014



Weight ..... 4.0 grams  
Tape & Reel ..... .250/reel  
Tube ..... .15/tube

Dimensions:  $\frac{\text{Inches}}{\text{mm}}$   
Unless otherwise specified, all tolerances are  $\pm \frac{.010}{0,25}$

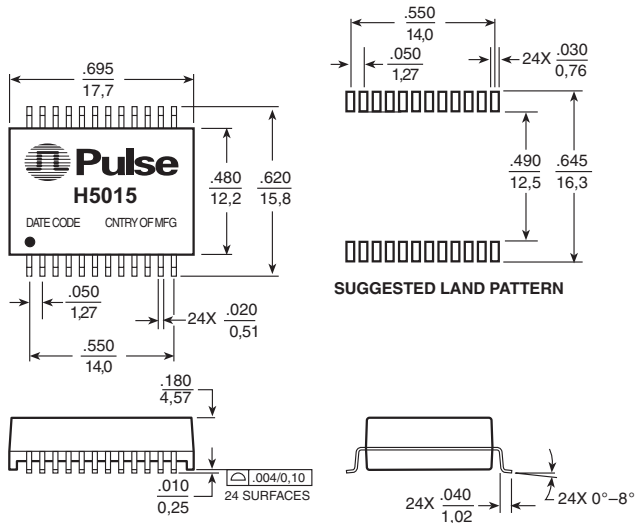
#### H5020, HX5020



Weight ..... 1.6 grams  
Tape & Reel ..... .250/reel  
Tube ..... .15/tube

### Mechanicals (continued)

#### H5015

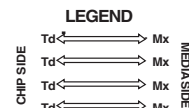
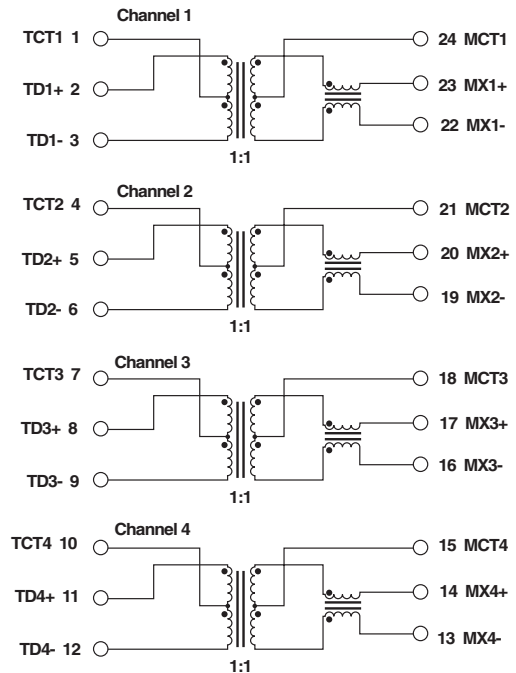


Weight ..... 1.5 grams  
Tape & Reel ..... .400/reel

Dimensions:  $\frac{\text{Inches}}{\text{mm}}$   
Unless otherwise specified, all tolerances are  $\pm \frac{.005}{0,13}$

### Schematics

#### H5004, HX5004, H5009



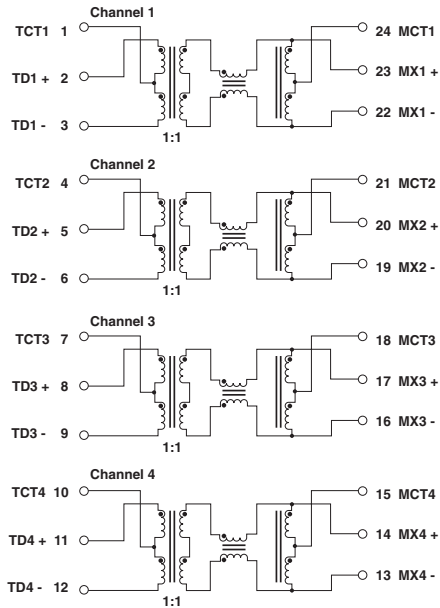
# 1000BASE-T MAGNETICS MODULES

## Designed to Support 1:1 Turns Ratio Transceivers



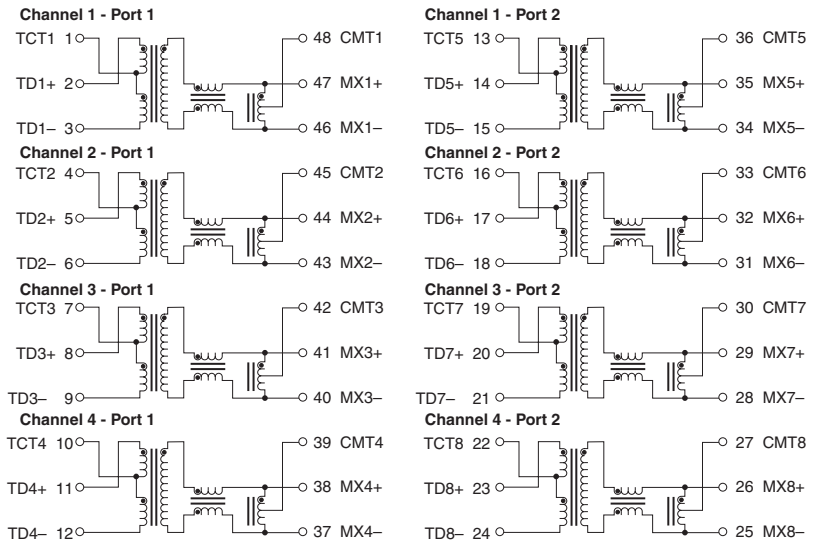
### Schematics (continued)

#### H5007\*, H5008, HX5008, H5015



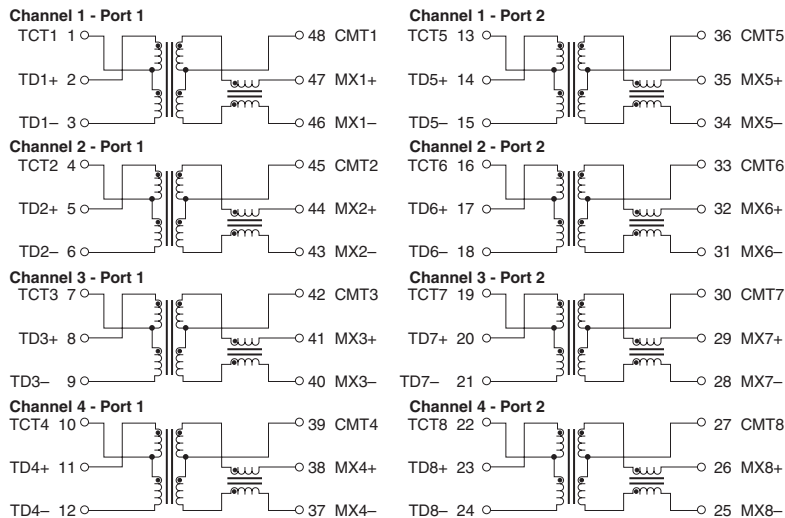
\* Extended temperature part for H5007 (HX5007) is not available. Select HX5004.

#### H5012 \*



\* Extended temperature part for H5012 is not available. Select HX5014.

#### H5014, HX5014



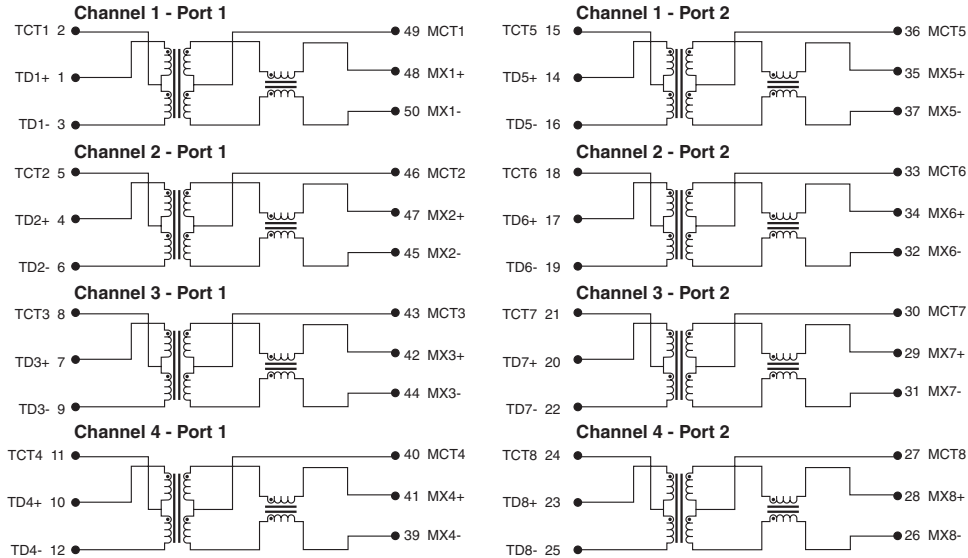
# 1000BASE-T MAGNETICS MODULES

Designed to Support 1:1 Turns  
Ratio Transceivers



## Schematics (continued)

**H5020, HX5020**



### For More Information:

#### UNITED STATES (Worldwide)

12220 World Trade Drive  
San Diego, CA 92128  
U.S.A.  
<http://www.pulseeng.com>  
TEL: 858 674 8100  
FAX: 858 674 8262

#### UNITED KINGDOM (Northern Europe)

3 Huxley Road  
Surrey Research Park  
Guildford, Surrey GU2 5RE  
United Kingdom  
TEL: 44 1483 401700  
FAX: 44 1483 401701

#### FRANCE (Southern Europe)

Zone Industrielle  
F-39270  
Orgelet  
France  
TEL: 33 3 84 35 04 04  
FAX: 33 3 84 25 46 41

#### SINGAPORE (Southern Asia)

150 Kampong Ampat  
#07-01/02  
KA Centre  
Singapore 368324  
TEL: 65 6287 8998  
FAX: 65 6280 0080

#### TAIWAN, R.O.C. (Northern Asia)

3F-4, No. 81, Sec. 1  
HsinTai Wu Road  
Hsi-Chih, Taipei Hsien  
Taiwan, R.O.C.  
Tel: 886 2 2698 0228  
FAX: 886 2 2698 0948

#### HONG KONG (China/Hong Kong)

Unit 11, 11/F  
Wah Lai Industrial Centre  
10-14 Kwei Tei Street,  
Fotan, Shatin, Hong Kong  
TEL: 852 2788 6588  
FAX: 852 2776 1055

#### DISTRIBUTOR

Performance warranty of products offered on this data sheet is limited to the parameters specified. Data is subject to change without notice. Other brand and product names mentioned herein may be trademarks or registered trademarks of their respective owners.

© Copyright, 2005. Pulse Engineering, Inc. All right reserved.