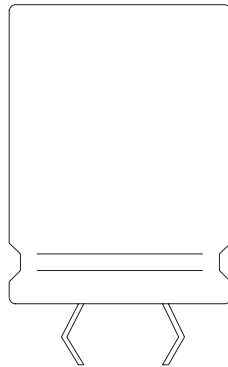


Aluminum Electrolytic Capacitors Power Capacitor Style EYN - Snap-in Solder Pins


FEATURES

- Polarized Al electrolytic capacitor
- Very small dimension
- High C·U product
- Low impedance
- Extended temperature range: 3000h/85°C
- Long useful life

APPLICATIONS

- General use audio/video systems, industrial electronics
- Smoothing, filtering
- Standard and switch mode power supplies

| MAIN SPECIFICATIONS | | | |
|--|-----------------------|---|--------------|
| ITEM | UNIT | LOW VOLTAGE | HIGH VOLTAGE |
| Nominal Case Size (D x L) | [mm] | 22 x 20 to 40 x 60 | |
| Rated Capacitance Range | [μF] | 1200 - 100000 | 47 - 1800 |
| Capacitance Tolerance | [%] | ± 20 | |
| Rated Voltage Range | [V] | 6.3 - 100 | 160 - 500 |
| Category Temperature Range | [°C] | - 40 to + 85 (U _R ≥ 400 V: - 25 to + 85) | |
| Endurance Test at Upper Category Temperature | [h] | 2000 | |
| Useful Life at 85°C and I _R | [h] | 3000 | |
| Useful Life at 40°C and I _R | [h] | 70000 | |
| Sectional Specifications | | IEC 384-4, CECC 30300, LL grade | |
| Detail Specifications | | similar to CECC 30301-806 without quality assessment | |
| Climatic Category IEC 68 DIN 40040 | | 40/85/56 GPF | |
| Failure Rate 0.8·U _R ; 40°C | [10 ⁻⁹ /h] | ≤ 60 | |

| VALUES AND DIMENSIONS $U_R \leq 100V$ | | | | | | | | |
|---------------------------------------|----------------------------------|----------------------------------|-------------------------|-------------------------|-------------------------|----------------------------------|----------------------------------|-------------------------|
| Nominal size (D x L) in mm | | | | | | | | |
| CAP [μF] | U_R [V] | | | | | | | |
| | 6.3 | 10 | 16 | 25 | 35 | 50 | 63 | 100 |
| 1200 | | | | | | | | 22x30 25x25 |
| 1500 | | | | | | | | 25x25 25x30 30x25 |
| 1800 | | | | | | | 22x25 | 22x40 25x35 30x30 |
| 2200 | | | | | | 22x25 | 22x30 25x25 | 22x45 25x40 30x30 |
| 2700 | | | | | | | 22x35 25x30 | 25x45 30x25 35x30 |
| 3300 | | | | | | 22x30 25x25 | 22x35 25x30 30x25 | 25x50 30x40 35x35 |
| 3900 | | | | | | | 22x40 25x35 30x30 | 30x45 35x40 |
| 4700 | | | | | 22x30 25x25 | 22x40 25x35 30x25 35x25 | 22x50 25x40 30x35 35x30 | 30x50 35x40 |
| 5600 | | | | 22x25 | 22x35 25x30 | 22x45 25x40 30x30 35x25 | 25x45 30x35 35x30 | 35x45 40x40 |
| 6800 | | | | 22x30 25x25 | 22x40 25x30 30x25 | 22x50 25x40 30x25 35x30 | 25x50 30x40 35x30 | 40x50 |
| 8200 | | | | 22x35 25x30 | 22x45 25x35 30x30 | 25x50 30x40 35x30 | 30x45 35x35 | 40x50 |
| 10000 | | | 22x25 | 22x40 25x30 30x25 | 22x50 25x40 30x30 | 30x45 35x35 | 30x50 35x40 | |
| 12000 | | 22x25 | 22x30 25x25 | 22x45 25x35 30x30 | 25x45 30x35 35x30 | 30x50 35x40 | 35x45 40x40 | |
| 15000 | 22x25 | 22x30 25x25 | 22x25 25x30 30x25 | 22x50 25x40 30x25 | 30x40 35x35 | 35x45 | | |
| 18000 | 22x30 25x25 | 22x35 25x25 | 22x40 25x35 30x30 | 25x45 30x35 35x30 | 30x45 35x40 | 35x50 40x40 | | |
| 22000 | 22x35 25x25 | 22x40 25x30 30x25 | 22x50 25x40 30x30 | 30x45 35x35 | 35x45 40x40 | 40x50 40x60 | | |
| 27000 | 22x40 25x30 30x25 | 22x45 25x35 30x30 | 25x45 30x35 35x25 | 30x50 35x40 | 40x50 | | | |
| 33000 | 22x45 25x35 30x30 | 22x50 25x40 30x30 35x25 | 30x40 35x30 | 35x45 40x40 | 40x50 | | | |
| 39000 | 22x50 25x40 30x30 35x25 | 25x45 30x35 35x30 | 30x45 35x35 | | | | | |
| 47000 | 25x45 30x35 35x30 | 25x50 30x40 35x30 | 30x50 35x40 | | | | | |
| 56000 | 25x50 30x40 35x30 | 30x45 35x35 | 35x45 40x40 | | | | | |
| 68000 | 30x45 35x35 | 35x40 | 35x50 40x50 | | | | | |
| 100000 | 35x45 40x40 | 40x50 | 40x60 | | | | | |

Special values/dimensions on request

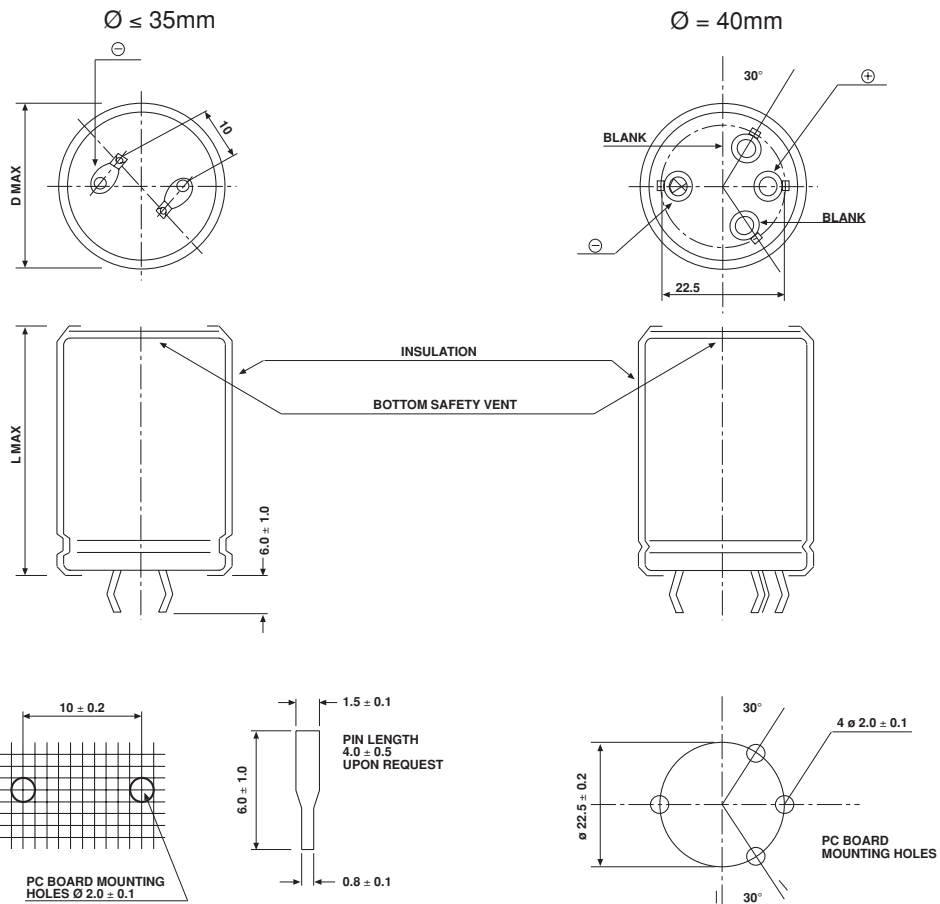
| VALUES AND DIMENSIONS $U_R > 100V$ | | | | | | | |
|---|----------------------------------|----------------------------------|----------------------------------|----------------------------------|----------------------------------|----------------------------------|----------------|
| Nominal size (D x L) in mm | | | | | | | |
| C [μF] | U_R [V] | | | | | | |
| | 160 | 200 | 250 | 350 | 400 | 450 | 500 |
| 47 | | | | | | 22x20 | |
| 56 | | | | | | 22x20 | |
| 68 | | | | | 22x20 | 22x25 | 22x30 25x20 |
| 82 | | | | 22x20 | 22x25 25x20 | 22x20 25x25 30x20 | 22x35 25x30 |
| 100 | | | | 22x25 25x20 | 22x30 25x25 30x20 | 22x35 25x30 30x25 35x20 | 22x40 25x35 |
| 120 | | | | 22x30 25x25 30x20 | 22x30 25x25 30x20 | 22x40 25x35 30x25 35x20 | 25x40 |
| 150 | | 22x25 25x20 | | 22x35 25x30 30x20 | 22x35 25x30 30x25 35x20 | 22x50 25x40 30x30 35x25 | 30x35 |
| 180 | | 22x20 | 22x25 25x20 | 22x40 25x35 30x25 35x20 | 22x40 25x35 30x25 35x25 | 25x45 30x25 35x25 | 30x40 |
| 220 | 22x20 | 22x25 25x20 | 22x25 25x25 30x20 | 22x45 25x35 30x30 35x25 | 22x45 25x40 30x30 35x25 | 25x50 30x40 35x30 | 30x45 |
| 270 | 22x25 25x20 | 22x25 25x25 30x20 | 22x30 25x25 30x20 | 25x45 30x35 35x25 | 25x45 30x35 35x30 | 30x45 35x35 | 35x45 |
| 330 | 22x25 25x20 | 22x30 25x25 30x20 | 22x35 25x30 30x25 35x20 | 25x50 30x40 35x30 | 25x50 30x40 35x30 | 30x50 35x40 | 35x50 |
| 390 | 22x25 25x25 30x20 | 22x30 25x25 30x25 35x20 | 22x40 25x30 30x25 35x20 | 30x45 35x35 | 30x45 35x35 | 35x45 | |
| 470 | 22x30 25x25 30x20 | 22x35 25x30 30x25 35x20 | 22x45 25x35 30x30 35x25 | 30x50 35x40 | 30x50 35x40 | 35x50 40x40 | 40x50 |
| 560 | 22x35 25x30 30x25 35x20 | 22x40 25x35 30x25 35x25 | 22x50 25x40 30x30 35x25 | 35x45 | 35x45 40x40 | 40x50 | 40x60 |
| 680 | 22x40 25x30 30x25 35x20 | 22x45 25x40 30x30 35x25 | 25x45 30x35 35x30 | 35x50 40x40 | 40x50 | 40x60 | 40x60 |
| 820 | 22x45 25x35 30x30 35x25 | 22x50 25x45 30x35 35x30 | 30x40 35x35 | 40x50 | 40x60 | | |
| 1000 | 22x50 25x40 30x30 35x25 | 30x40 35x30 | 30x45 35x40 | | | | |
| 1200 | 25x45 30x35 35x30 | 30x45 35x35 | 35x45 40x40 | | | | |
| 1500 | 30x40 35x35 | 30x50 35x40 | 35x50 40x50 | | | | |
| 1800 | 35x40 40x40 | 35x45 40x40 | 40x60 | | | | |

Special values/dimensions on request

DIMENSIONS AND PACKAGING QUANTITIES

| Nominal size D x L mm x mm | Maximum size D _{max} x L _{max} mm x mm | Packaging quantity pcs |
|---|--|------------------------------|
| 22 x 20 22 x 25 22 x 30 22 x 35 22 x 40 22 x 45 | 23 x 22 23 x 27 23 x 32 23 x 37 23 x 42 23 x 47 | 200 |
| 25 x 20 25 x 25 25 x 30 25 x 35 25 x 40 25 x 50 | 26.4 x 22 26.4 x 27 26.4 x 32 26.4 x 37 26.4 x 42 26.4 x 52 | 150 |
| 30 X 20 30 X 25 30 X 30 30 X 35 30 X 40 30 X 45 30 X 50 | 31 X 22 31 X 27 31 X 32 31 X 37 31 X 42 31 X 47 31 X 52 | 100 |
| 35 X 20 35 X 25 35 X 30 35 X 35 35 X 40 35 X 45 35 X 50 | 36 X 22 36 X 27 36 X 32 36 X 37 36 X 42 36 X 47 36 X 52 | 70 |
| 40 X 40 40 X 50 40 X 60 | 41 X 42 41 X 52 41 X 62 | 50 |

**SNAP-IN STYLE
TERMINATIONS**





ORDERING INFORMATION AND EXAMPLE

The 12th place of ordering code refers to the length of the snap-in pins

EYN07...02 0 = snap-in pin 6 mm
 EYN07...42 4 = snap-in pin 4 mm

The 13th place of ordering code refers to the kind of insulation

EYN07...02 2 = fully insulated

On special request only:

EYN07...01 1 = sleeve insulation

The 14th place, not indicated in the following table, is an inter-company code and is not relevant to your order.

EYN07LV447F42 = EYN 4700µF/35V 22mm x 30 mm, snap-in pin 4 mm, fully insulated

MEASURING CONDITIONS AND FORMULA LEGEND

T_a = 20°C, p = 80-120 kPa, RH = 45-75%

- C_R Rated capacitance at 120 Hz
- U_R Rated voltage
- tan δ Dissipation factor at 120 Hz
- R_{ESR} Equivalent series resistance at 120 Hz
- Z Impedance at 10 kHz
- I_R Rated alternating current (rms),
120 Hz, upper category temperature

| ELECTRICAL CHARACTERISTICS, WEIGHT AND ORDERING CODE | | | | | | | | |
|---|---|----------------------------|-------------------------|---|----------------------------|---|---------------|---------------|
| C _R 120 Hz [µF] | RATED VOLTAGE U _R [V] | DIMENSION D x L [mm] | TAN δ 120 Hz MAX. | R _{ESR} 120 Hz MAX. [Ω] | Z 10 kHz MAX. [Ω] | I _R 120 Hz 85°C [A] | WEIGHT [g] | ORDERING NO. |
| 15000 | 6.3 | 22 x 25 | 0.59 | 0.055 | 0.045 | 2.9 | 14 | EYN07LU515B02 |
| 18000 | 6.3 | 22 x 30 | 0.62 | 0.050 | 0.040 | 3.3 | 16 | EYN07LV518B02 |
| 18000 | 6.3 | 25 x 25 | 0.62 | 0.050 | 0.040 | 3.4 | 18 | EYN07AU518B02 |
| 22000 | 6.3 | 22 x 35 | 0.66 | 0.040 | 0.035 | 3.7 | 19 | EYN07LA522B02 |
| 22000 | 6.3 | 25 x 25 | 0.66 | 0.040 | 0.035 | 3.6 | 18 | EYN07AU522B02 |
| 27000 | 6.3 | 22 x 40 | 0.71 | 0.035 | 0.030 | 4.1 | 22 | EYN07LB527B02 |
| 27000 | 6.3 | 25 x 30 | 0.71 | 0.035 | 0.030 | 4.1 | 21 | EYN07AV527B02 |
| 27000 | 6.3 | 30 x 25 | 0.71 | 0.035 | 0.030 | 4.2 | 25 | EYN07BU527B02 |
| 33000 | 6.3 | 22 x 45 | 0.77 | 0.035 | 0.030 | 4.6 | 24 | EYN07LC533B02 |
| 33000 | 6.3 | 25 x 35 | 0.77 | 0.035 | 0.030 | 4.5 | 25 | EYN07AA533B02 |
| 33000 | 6.3 | 30 x 30 | 0.77 | 0.035 | 0.030 | 4.6 | 30 | EYN07BV533B02 |
| 39000 | 6.3 | 22 x 50 | 0.83 | 0.030 | < 0.030 | 5.0 | 27 | EYN07LD539B02 |
| 39000 | 6.3 | 25 x 40 | 0.83 | 0.030 | < 0.030 | 4.9 | 28 | EYN07AB539B02 |
| 39000 | 6.3 | 30 x 30 | 0.83 | 0.030 | < 0.030 | 4.8 | 30 | EYN07BV539B02 |
| 39000 | 6.3 | 35 x 25 | 0.83 | 0.030 | < 0.030 | 4.9 | 34 | EYN07CU539B02 |
| 47000 | 6.3 | 25 x 45 | 0.91 | 0.030 | < 0.030 | 5.4 | 31 | EYN07AC547B02 |
| 47000 | 6.3 | 30 x 35 | 0.91 | 0.030 | < 0.030 | 5.3 | 35 | EYN07BA547B02 |
| 47000 | 6.3 | 35 x 30 | 0.91 | 0.030 | < 0.030 | 5.4 | 41 | EYN07CV547B02 |
| 56000 | 6.3 | 25 x 50 | 1.00 | < 0.030 | < 0.030 | 5.8 | 35 | EYN07AD556B02 |
| 56000 | 6.3 | 30 x 40 | 1.00 | < 0.030 | < 0.030 | 5.8 | 40 | EYN07BB556B02 |
| 56000 | 6.3 | 35 x 30 | 1.00 | < 0.030 | < 0.030 | 5.6 | 41 | EYN07CV556B02 |
| 68000 | 6.3 | 30 x 45 | 1.12 | < 0.030 | < 0.030 | 6.2 | 45 | EYN07BC568B02 |
| 68000 | 6.3 | 35 x 35 | 1.12 | < 0.030 | < 0.030 | 6.1 | 48 | EYN07CA568B02 |
| 100000 | 6.3 | 35 x 40 | 1.44 | < 0.030 | < 0.030 | 7.1 | 62 | EYN07CC610B02 |
| 100000 | 6.3 | 40 x 40 | 1.44 | < 0.030 | < 0.030 | 7.2 | 72 | EYN07DB610B02 |

ELECTRICAL CHARACTERISTICS, WEIGHT AND ORDERING CODE

| C_R 120 Hz [μ F] | RATED VOLTAGE U_R [V] | DIMENSION D x L [mm] | TAN δ 120 Hz MAX. | R_{ESR} 120 Hz MAX. [Ω] | Z 10 kHz MAX. [Ω] | I_R 120 Hz 85°C [A] | WEIGHT [g] | ORDERING NO. |
|-------------------------------|----------------------------------|----------------------------|--------------------------------|---|-------------------------------------|--------------------------------|---------------|---------------|
| 12000 | 10 | 22 x 25 | 0.51 | 0.060 | 0.050 | 2.8 | 14 | EYN07LU512C02 |
| 15000 | 10 | 22 x 30 | 0.54 | 0.050 | 0.040 | 3.2 | 16 | EYN07LV515C02 |
| 15000 | 10 | 25 x 25 | 0.54 | 0.050 | 0.040 | 2.9 | 18 | EYN07AU515C02 |
| 18000 | 10 | 22 x 35 | 0.57 | 0.045 | 0.035 | 3.6 | 19 | EYN07LA518C02 |
| 18000 | 10 | 25 x 25 | 0.57 | 0.045 | 0.035 | 3.5 | 18 | EYN07AU518C02 |
| 22000 | 10 | 22 x 40 | 0.61 | 0.040 | 0.030 | 4.1 | 22 | EYN07LB522C02 |
| 22000 | 10 | 25 x 30 | 0.61 | 0.040 | 0.030 | 4.0 | 21 | EYN07AV522C02 |
| 22000 | 10 | 30 x 25 | 0.61 | 0.040 | 0.030 | 4.1 | 25 | EYN07BU522C02 |
| 27000 | 10 | 22 x 45 | 0.66 | 0.035 | 0.030 | 4.5 | 24 | EYN07LC527C02 |
| 27000 | 10 | 25 x 35 | 0.66 | 0.035 | 0.030 | 4.5 | 25 | EYN07AA527C02 |
| 27000 | 10 | 30 x 30 | 0.66 | 0.035 | 0.030 | 4.6 | 30 | EYN07BV527C02 |
| 33000 | 10 | 22 x 50 | 0.72 | 0.030 | < 0.030 | 4.9 | 27 | EYN07LD533C02 |
| 33000 | 10 | 25 x 40 | 0.72 | 0.030 | < 0.030 | 4.9 | 28 | EYN07AB533C02 |
| 33000 | 10 | 30 x 30 | 0.72 | 0.030 | < 0.030 | 4.8 | 30 | EYN07BV533C02 |
| 33000 | 10 | 35 x 25 | 0.72 | 0.030 | < 0.030 | 4.9 | 34 | EYN07CU533C02 |
| 39000 | 10 | 25 x 45 | 0.78 | 0.030 | < 0.030 | 5.4 | 31 | EYN07AC539C02 |
| 39000 | 10 | 30 x 25 | 0.78 | 0.030 | < 0.030 | 5.3 | 25 | EYN07BU539C02 |
| 39000 | 10 | 35 x 30 | 0.78 | 0.030 | < 0.030 | 5.4 | 41 | EYN07CV539C02 |
| 47000 | 10 | 25 x 50 | 0.86 | < 0.030 | < 0.030 | 5.8 | 35 | EYN07AD547C02 |
| 47000 | 10 | 30 x 40 | 0.86 | < 0.030 | < 0.030 | 5.8 | 40 | EYN07BB547C02 |
| 47000 | 10 | 35 x 30 | 0.86 | < 0.030 | < 0.030 | 5.6 | 41 | EYN07CV547C02 |
| 56000 | 10 | 30 x 45 | 0.95 | < 0.030 | < 0.030 | 6.2 | 45 | EYN07BC556C02 |
| 56000 | 10 | 35 x 35 | 0.95 | < 0.030 | < 0.030 | 6.1 | 48 | EYN07CA556C02 |
| 68000 | 10 | 35 x 40 | 1.07 | < 0.030 | < 0.030 | 6.6 | 55 | EYN07CB568C02 |
| 100000 | 10 | 40 x 50 | 1.39 | < 0.030 | < 0.030 | 7.9 | 89 | EYN07DD610C02 |
| 10000 | 16 | 22 x 25 | 0.44 | 0.060 | 0.050 | 2.8 | 14 | EYN07LU510D02 |
| 12000 | 16 | 22 x 30 | 0.46 | 0.055 | 0.040 | 3.0 | 16 | EYN07LV512D02 |
| 12000 | 16 | 25 x 25 | 0.46 | 0.055 | 0.040 | 3.3 | 18 | EYN07AU512D02 |
| 15000 | 16 | 22 x 35 | 0.49 | 0.045 | 0.035 | 3.6 | 19 | EYN07LA515D02 |
| 15000 | 16 | 25 x 30 | 0.49 | 0.045 | 0.035 | 3.8 | 21 | EYN07AV515D02 |
| 15000 | 16 | 30 x 25 | 0.49 | 0.045 | 0.035 | 3.9 | 25 | EYN07BU515D02 |
| 18000 | 16 | 22 x 40 | 0.52 | 0.040 | 0.030 | 4.1 | 22 | EYN07LB518D02 |
| 18000 | 16 | 25 x 35 | 0.52 | 0.040 | 0.030 | 4.2 | 25 | EYN07AA518D02 |
| 18000 | 16 | 30 x 30 | 0.52 | 0.040 | 0.030 | 4.3 | 30 | EYN07BV518D02 |
| 22000 | 16 | 22 x 50 | 0.56 | 0.035 | 0.030 | 4.7 | 27 | EYN07LD522D02 |
| 22000 | 16 | 25 x 40 | 0.56 | 0.035 | 0.030 | 4.7 | 28 | EYN07AB522D02 |
| 22000 | 16 | 30 x 30 | 0.56 | 0.035 | 0.030 | 4.6 | 30 | EYN07BV522D02 |
| 27000 | 16 | 25 x 45 | 0.61 | 0.030 | < 0.030 | 5.2 | 31 | EYN07AC527D02 |
| 27000 | 16 | 30 x 35 | 0.61 | 0.030 | < 0.030 | 5.1 | 35 | EYN07BA527D02 |
| 27000 | 16 | 35 x 25 | 0.61 | 0.030 | < 0.030 | 4.9 | 34 | EYN07CU527D02 |
| 33000 | 16 | 30 x 40 | 0.67 | 0.030 | < 0.030 | 5.6 | 40 | EYN07BB533D02 |
| 33000 | 16 | 35 x 30 | 0.67 | 0.030 | < 0.030 | 5.4 | 41 | EYN07CV533D02 |
| 39000 | 16 | 30 x 45 | 0.73 | < 0.030 | < 0.030 | 6.0 | 45 | EYN07BC539D02 |
| 39000 | 16 | 35 x 35 | 0.73 | < 0.030 | < 0.030 | 5.9 | 48 | EYN07CA539D02 |
| 47000 | 16 | 30 x 50 | 0.81 | < 0.030 | < 0.030 | 6.5 | 50 | EYN07BD547D02 |
| 47000 | 16 | 35 x 40 | 0.81 | < 0.030 | < 0.030 | 6.4 | 55 | EYN07CB547D02 |
| 56000 | 16 | 35 x 45 | 0.90 | < 0.030 | < 0.030 | 6.9 | 62 | EYN07CC556D02 |
| 56000 | 16 | 40 x 40 | 0.90 | < 0.030 | < 0.030 | 7.0 | 72 | EYN07DB556D02 |
| 68000 | 16 | 35 x 50 | 1.02 | < 0.030 | < 0.030 | 7.3 | 68 | EYN07CD568D02 |
| 68000 | 16 | 40 x 50 | 1.02 | < 0.030 | < 0.030 | 7.8 | 89 | EYN07DD568D02 |
| 100000 | 16 | 40 x 60 | 1.34 | < 0.030 | < 0.030 | 8.7 | 107 | EYN07DF610D02 |



| ELECTRICAL CHARACTERISTICS, WEIGHT AND ORDERING CODE | | | | | | | | |
|--|---|----------------------------|-------------------------|---|----------------------------|---|---------------|---------------|
| C _R 120 Hz [μF] | RATED VOLTAGE U _R [V] | DIMENSION D x L [mm] | TAN δ 120 Hz MAX. | R _{ESR} 120 Hz MAX. [Ω] | Z 10 kHz MAX. [Ω] | I _R 120 Hz 85°C [A] | WEIGHT [g] | ORDERING NO. |
| 5600 | 25 | 22 x 25 | 0.37 | 0.090 | 0.070 | 2.3 | 14 | EYN07LU456E02 |
| 6800 | 25 | 22 x 30 | 0.38 | 0.075 | 0.060 | 2.6 | 16 | EYN07LV468E02 |
| 6800 | 25 | 25 x 25 | 0.38 | 0.075 | 0.060 | 2.7 | 18 | EYN07AU468E02 |
| 8200 | 25 | 22 x 35 | 0.39 | 0.065 | 0.050 | 2.9 | 19 | EYN07LA482E02 |
| 8200 | 25 | 25 x 30 | 0.39 | 0.065 | 0.050 | 3.0 | 21 | EYN07AV482E02 |
| 10000 | 25 | 22 x 40 | 0.41 | 0.055 | 0.045 | 3.4 | 22 | EYN07LB510E02 |
| 10000 | 25 | 25 x 30 | 0.41 | 0.055 | 0.045 | 3.3 | 21 | EYN07AV510E02 |
| 10000 | 25 | 30 x 25 | 0.41 | 0.055 | 0.045 | 3.4 | 25 | EYN07BU510E02 |
| 12000 | 25 | 22 x 45 | 0.42 | 0.050 | 0.035 | 3.7 | 24 | EYN07LC512E02 |
| 12000 | 25 | 25 x 35 | 0.42 | 0.050 | 0.035 | 3.7 | 25 | EYN07AA512E02 |
| 12000 | 25 | 30 x 30 | 0.42 | 0.050 | 0.035 | 3.8 | 30 | EYN07BV512E02 |
| 15000 | 25 | 22 x 50 | 0.44 | 0.040 | 0.030 | 4.2 | 27 | EYN07LD515E02 |
| 15000 | 25 | 25 x 40 | 0.44 | 0.040 | 0.030 | 4.2 | 28 | EYN07AB515E02 |
| 15000 | 25 | 30 x 35 | 0.44 | 0.040 | 0.030 | 4.3 | 35 | EYN07BA515E02 |
| 18000 | 25 | 25 x 45 | 0.47 | 0.035 | 0.030 | 4.6 | 31 | EYN07AC518E02 |
| 18000 | 25 | 30 x 35 | 0.47 | 0.035 | 0.030 | 4.6 | 35 | EYN07BA518E02 |
| 18000 | 25 | 35 x 30 | 0.47 | 0.035 | 0.030 | 4.7 | 41 | EYN07CV518E02 |
| 22000 | 25 | 30 x 45 | 0.50 | 0.030 | < 0.030 | 5.3 | 45 | EYN07BC522E02 |
| 22000 | 25 | 35 x 35 | 0.50 | 0.030 | < 0.030 | 5.2 | 48 | EYN07CA522E02 |
| 27000 | 25 | 30 x 50 | 0.54 | 0.030 | < 0.030 | 5.8 | 50 | EYN07BD527E02 |
| 27000 | 25 | 35 x 40 | 0.54 | 0.030 | < 0.030 | 5.7 | 55 | EYN07CB527E02 |
| 33000 | 25 | 35 x 45 | 0.58 | < 0.030 | < 0.030 | 6.2 | 62 | EYN07CC533E02 |
| 33000 | 25 | 40 x 40 | 0.58 | < 0.030 | < 0.030 | 6.4 | 72 | EYN07DB533E02 |
| 4700 | 35 | 22 x 30 | 0.29 | 0.085 | 0.060 | 2.6 | 16 | EYN07LV447F02 |
| 4700 | 35 | 25 x 25 | 0.29 | 0.085 | 0.060 | 2.5 | 18 | EYN07AU447F02 |
| 5600 | 35 | 22 x 35 | 0.30 | 0.075 | 0.055 | 2.8 | 19 | EYN07LA456F02 |
| 5600 | 35 | 25 x 30 | 0.30 | 0.075 | 0.055 | 2.9 | 21 | EYN07AV456F02 |
| 6800 | 35 | 22 x 40 | 0.30 | 0.060 | 0.045 | 3.2 | 22 | EYN07LB468F02 |
| 6800 | 35 | 25 x 30 | 0.30 | 0.060 | 0.045 | 3.1 | 21 | EYN07AV468F02 |
| 6800 | 35 | 30 x 25 | 0.30 | 0.060 | 0.045 | 3.2 | 25 | EYN07BU468F02 |
| 8200 | 35 | 22 x 45 | 0.31 | 0.055 | 0.040 | 3.5 | 24 | EYN07LC482F02 |
| 8200 | 35 | 25 x 35 | 0.31 | 0.055 | 0.040 | 3.5 | 25 | EYN07AA482F02 |
| 8200 | 35 | 30 x 30 | 0.31 | 0.055 | 0.040 | 3.6 | 30 | EYN07BV482F02 |
| 10000 | 35 | 22 x 50 | 0.32 | 0.045 | 0.035 | 4.0 | 27 | EYN07LD510F02 |
| 10000 | 35 | 25 x 40 | 0.32 | 0.045 | 0.035 | 4.0 | 28 | EYN07AB510F02 |
| 10000 | 35 | 30 x 30 | 0.32 | 0.045 | 0.035 | 3.9 | 30 | EYN07BV510F02 |
| 12000 | 35 | 25 x 45 | 0.34 | 0.040 | 0.030 | 4.4 | 31 | EYN07AC512F02 |
| 12000 | 35 | 30 x 35 | 0.34 | 0.040 | 0.030 | 4.3 | 35 | EYN07BA512F02 |
| 12000 | 35 | 35 x 30 | 0.34 | 0.040 | 0.030 | 4.5 | 41 | EYN07CV512F02 |
| 15000 | 35 | 30 x 40 | 0.36 | 0.035 | < 0.030 | 4.9 | 40 | EYN07BB515F02 |
| 15000 | 35 | 35 x 35 | 0.36 | 0.035 | < 0.030 | 5.0 | 48 | EYN07CA515F02 |
| 18000 | 35 | 30 x 45 | 0.38 | 0.030 | < 0.030 | 5.3 | 45 | EYN07BC518F02 |
| 18000 | 35 | 35 x 40 | 0.38 | 0.030 | < 0.030 | 5.5 | 55 | EYN07CB518F02 |
| 22000 | 35 | 35 x 45 | 0.40 | < 0.030 | < 0.030 | 6.0 | 62 | EYN07CC522F02 |
| 22000 | 35 | 40 x 40 | 0.40 | < 0.030 | < 0.030 | 6.1 | 72 | EYN07DB522F02 |
| 27000 | 35 | 40 x 50 | 0.43 | < 0.030 | < 0.030 | 6.9 | 89 | EYN07DD527F02 |
| 33000 | 35 | 40 x 50 | 0.47 | < 0.030 | < 0.030 | 7.2 | 89 | EYN07DD533F02 |
| 3300 | 50 | 22 x 30 | 0.23 | 0.095 | 0.075 | 2.5 | 16 | EYN07LV433H02 |
| 3300 | 50 | 25 x 25 | 0.23 | 0.095 | 0.075 | 2.6 | 18 | EYN07AU433H02 |
| 4700 | 50 | 22 x 40 | 0.24 | 0.070 | 0.055 | 3.3 | 22 | EYN07LB447H02 |
| 4700 | 50 | 25 x 35 | 0.24 | 0.070 | 0.055 | 3.4 | 25 | EYN07AA447H02 |
| 4700 | 50 | 30 x 25 | 0.24 | 0.070 | 0.055 | 3.3 | 25 | EYN07BU447H02 |
| 4700 | 50 | 35 x 25 | 0.24 | 0.070 | 0.055 | 3.6 | 34 | EYN07CU447H02 |
| 5600 | 50 | 22 x 45 | 0.24 | 0.060 | 0.045 | 3.6 | 24 | EYN07LC456H02 |
| 5600 | 50 | 25 x 40 | 0.24 | 0.060 | 0.045 | 3.8 | 28 | EYN07AB456H02 |
| 5600 | 50 | 30 x 30 | 0.24 | 0.060 | 0.045 | 3.7 | 30 | EYN07BV456H02 |

ELECTRICAL CHARACTERISTICS, WEIGHT AND ORDERING CODE

| C_R 120 Hz [μ F] | RATED VOLTAGE U_R [V] | DIMENSION D x L [mm] | TAN δ 120 Hz MAX. | R_{ESR} 120 Hz MAX. [Ω] | Z 10 kHz MAX. [Ω] | I_R 120 Hz 85°C [A] | WEIGHT [g] | ORDERING NO. |
|-------------------------------|----------------------------------|----------------------------|--------------------------------|---|-------------------------------------|--------------------------------|---------------|---------------|
| 5600 | 50 | 35 x 25 | 0.24 | 0.060 | 0.045 | 3.8 | 34 | EYN07CU456H02 |
| 6800 | 50 | 22 x 50 | 0.25 | 0.050 | 0.040 | 4.1 | 27 | EYN07LD468H02 |
| 6800 | 50 | 25 x 40 | 0.25 | 0.050 | 0.040 | 4.0 | 28 | EYN07AB468H02 |
| 6800 | 50 | 30 x 35 | 0.25 | 0.050 | 0.040 | 4.2 | 35 | EYN07BA468H02 |
| 6800 | 50 | 35 x 30 | 0.25 | 0.050 | 0.040 | 4.3 | 41 | EYN07CV468H02 |
| 8200 | 50 | 25 x 50 | 0.26 | 0.045 | 0.035 | 4.6 | 35 | EYN07AD482H02 |
| 8200 | 50 | 30 x 40 | 0.26 | 0.045 | 0.035 | 4.6 | 40 | EYN07BB482H02 |
| 8200 | 50 | 35 x 30 | 0.26 | 0.045 | 0.035 | 4.5 | 41 | EYN07CV482H02 |
| 10000 | 50 | 30 x 45 | 0.26 | 0.035 | 0.030 | 5.2 | 45 | EYN07BC510H02 |
| 10000 | 50 | 35 x 35 | 0.26 | 0.035 | 0.030 | 5.1 | 48 | EYN07CA510H02 |
| 12000 | 50 | 30 x 50 | 0.27 | 0.035 | < 0.030 | 5.6 | 50 | EYN07BD512H02 |
| 12000 | 50 | 35 x 40 | 0.27 | 0.035 | < 0.030 | 5.6 | 55 | EYN07CB512H02 |
| 15000 | 50 | 35 x 45 | 0.28 | 0.030 | < 0.030 | 6.1 | 62 | EYN07CC515H02 |
| 18000 | 50 | 35 x 50 | 0.30 | < 0.030 | < 0.030 | 6.6 | 68 | EYN07CD518H02 |
| 18000 | 50 | 40 x 40 | 0.30 | < 0.030 | < 0.030 | 6.5 | 72 | EYN07DB518H02 |
| 22000 | 50 | 40 x 50 | 0.31 | < 0.030 | < 0.030 | 7.3 | 89 | EYN07DD522H02 |
| 27000 | 50 | 40 x 60 | 0.34 | < 0.030 | < 0.030 | 8.0 | 107 | EYN07DF527H02 |
| 1800 | 63 | 22 x 25 | 0.20 | 0.150 | 0.105 | 1.9 | 14 | EYN07LU418J02 |
| 2200 | 63 | 22 x 30 | 0.20 | 0.125 | 0.090 | 2.1 | 16 | EYN07LV422J02 |
| 2200 | 63 | 25 x 25 | 0.20 | 0.125 | 0.090 | 2.2 | 18 | EYN07AU422J02 |
| 2700 | 63 | 22 x 35 | 0.21 | 0.105 | 0.075 | 2.5 | 19 | EYN07LA427J02 |
| 2700 | 63 | 25 x 30 | 0.21 | 0.105 | 0.075 | 2.6 | 21 | EYN07AV427J02 |
| 3300 | 63 | 22 x 35 | 0.21 | 0.085 | 0.060 | 2.7 | 19 | EYN07LA433J02 |
| 3300 | 63 | 25 x 30 | 0.21 | 0.085 | 0.060 | 2.8 | 21 | EYN07AV433J02 |
| 3300 | 63 | 30 x 25 | 0.21 | 0.085 | 0.060 | 2.8 | 25 | EYN07BU433J02 |
| 3900 | 63 | 22 x 40 | 0.21 | 0.075 | 0.055 | 3.1 | 22 | EYN07LB439J02 |
| 3900 | 63 | 25 x 35 | 0.21 | 0.075 | 0.055 | 3.2 | 25 | EYN07AA439J02 |
| 3900 | 63 | 30 x 30 | 0.21 | 0.075 | 0.055 | 3.3 | 30 | EYN07BV439J02 |
| 4700 | 63 | 22 x 50 | 0.22 | 0.065 | 0.045 | 3.6 | 27 | EYN07LD447J02 |
| 4700 | 63 | 25 x 40 | 0.22 | 0.065 | 0.045 | 3.6 | 28 | EYN07AB447J02 |
| 4700 | 63 | 30 x 35 | 0.22 | 0.065 | 0.045 | 3.5 | 35 | EYN07BA447J02 |
| 4700 | 63 | 35 x 30 | 0.22 | 0.065 | 0.045 | 3.6 | 41 | EYN07CV447J02 |
| 5600 | 63 | 25 x 45 | 0.22 | 0.055 | 0.040 | 4.0 | 31 | EYN07AC456J02 |
| 5600 | 63 | 30 x 35 | 0.22 | 0.055 | 0.040 | 3.9 | 35 | EYN07BA456J02 |
| 5600 | 63 | 35 x 30 | 0.22 | 0.055 | 0.040 | 4.0 | 41 | EYN07CV456J02 |
| 6800 | 63 | 25 x 50 | 0.23 | 0.045 | 0.035 | 4.4 | 35 | EYN07AD468J02 |
| 6800 | 63 | 30 x 40 | 0.23 | 0.045 | 0.035 | 4.4 | 40 | EYN07BB468J02 |
| 6800 | 63 | 35 x 30 | 0.23 | 0.045 | 0.035 | 4.3 | 41 | EYN07CV468J02 |
| 8200 | 63 | 30 x 45 | 0.24 | 0.040 | 0.030 | 4.8 | 45 | EYN07BC482J02 |
| 8200 | 63 | 35 x 35 | 0.24 | 0.040 | 0.030 | 4.7 | 48 | EYN07CA482J02 |
| 10000 | 63 | 30 x 50 | 0.25 | 0.035 | < 0.030 | 5.4 | 50 | EYN07BD510J02 |
| 10000 | 63 | 35 x 40 | 0.25 | 0.035 | < 0.030 | 5.3 | 55 | EYN07CB510J02 |
| 12000 | 63 | 35 x 45 | 0.26 | 0.030 | < 0.030 | 5.8 | 62 | EYN07CC512J02 |
| 12000 | 63 | 40 x 40 | 0.26 | 0.030 | < 0.030 | 5.9 | 72 | EYN07DB512J02 |
| 1200 | 100 | 22 x 30 | 0.15 | 0.165 | 0.115 | 2.0 | 16 | EYN07LV412L02 |
| 1200 | 100 | 25 x 25 | 0.15 | 0.165 | 0.115 | 2.1 | 18 | EYN07AU412L02 |
| 1500 | 100 | 22 x 35 | 0.15 | 0.135 | 0.090 | 2.4 | 19 | EYN07LA415L02 |
| 1500 | 100 | 25 x 30 | 0.15 | 0.135 | 0.090 | 2.5 | 21 | EYN07AV415L02 |
| 1500 | 100 | 30 x 25 | 0.15 | 0.135 | 0.090 | 2.6 | 25 | EYN07BU415L02 |
| 1800 | 100 | 22 x 40 | 0.15 | 0.115 | 0.080 | 2.8 | 22 | EYN07LB418L02 |
| 1800 | 100 | 25 x 35 | 0.15 | 0.115 | 0.080 | 2.9 | 25 | EYN07AA418L02 |
| 1800 | 100 | 30 x 30 | 0.15 | 0.115 | 0.080 | 3.0 | 30 | EYN07BV418L02 |
| 2200 | 100 | 22 x 45 | 0.15 | 0.095 | 0.065 | 3.0 | 24 | EYN07LC422L02 |
| 2200 | 100 | 25 x 40 | 0.15 | 0.095 | 0.065 | 3.2 | 28 | EYN07AB422L02 |



| ELECTRICAL CHARACTERISTICS, WEIGHT AND ORDERING CODE | | | | | | | | |
|--|---|----------------------------|-------------------------|---|----------------------------|---|---------------|---------------|
| C _R 120 Hz [μF] | RATED VOLTAGE U _R [V] | DIMENSION D x L [mm] | TAN δ 120 Hz MAX. | R _{ESR} 120 Hz MAX. [Ω] | Z 10 kHz MAX. [Ω] | I _R 120 Hz 85°C [A] | WEIGHT [g] | ORDERING NO. |
| 2200 | 100 | 30 x 30 | 0.15 | 0.095 | 0.065 | 3.1 | 30 | EYN07BV422L02 |
| 2700 | 100 | 25 x 45 | 0.16 | 0.080 | 0.055 | 3.7 | 31 | EYN07AC427L02 |
| 2700 | 100 | 30 x 35 | 0.16 | 0.080 | 0.055 | 3.6 | 35 | EYN07BA427L02 |
| 2700 | 100 | 35 x 30 | 0.16 | 0.080 | 0.055 | 3.7 | 41 | EYN07CV427L02 |
| 3300 | 100 | 25 x 50 | 0.16 | 0.065 | 0.045 | 4.0 | 35 | EYN07AD433L02 |
| 3300 | 100 | 30 x 40 | 0.16 | 0.065 | 0.045 | 4.0 | 40 | EYN07BB433L02 |
| 3300 | 100 | 35 x 35 | 0.16 | 0.065 | 0.045 | 4.1 | 48 | EYN07CA433L02 |
| 3900 | 100 | 30 x 45 | 0.16 | 0.060 | 0.040 | 4.6 | 45 | EYN07BC439L02 |
| 3900 | 100 | 35 x 35 | 0.16 | 0.060 | 0.040 | 4.5 | 48 | EYN07CA439L02 |
| 4700 | 100 | 30 x 50 | 0.17 | 0.050 | 0.035 | 5.0 | 50 | EYN07BD447L02 |
| 4700 | 100 | 35 x 40 | 0.17 | 0.050 | 0.035 | 4.9 | 55 | EYN07CB447L02 |
| 5600 | 100 | 35 x 45 | 0.17 | 0.045 | 0.030 | 5.4 | 62 | EYN07CC456L02 |
| 5600 | 100 | 40 x 40 | 0.17 | 0.045 | 0.030 | 5.5 | 72 | EYN07DB456L02 |
| 6800 | 100 | 40 x 50 | 0.18 | 0.040 | < 0.030 | 6.3 | 89 | EYN07DD468L02 |
| 8200 | 100 | 40 x 50 | 0.19 | 0.035 | < 0.030 | 6.5 | 89 | EYN07DD482L02 |
| 220 | 160 | 22 x 20 | 0.14 | 0.825 | 0.595 | 0.86 | 11 | EYN07LW322M02 |
| 270 | 160 | 22 x 25 | 0.14 | 0.680 | 0.490 | 1.0 | 14 | EYN07LU327M02 |
| 270 | 160 | 25 x 20 | 0.14 | 0.680 | 0.490 | 1.1 | 14 | EYN07AW327M02 |
| 330 | 160 | 22 x 25 | 0.14 | 0.565 | 0.405 | 1.1 | 14 | EYN07LU333M02 |
| 330 | 160 | 25 x 20 | 0.14 | 0.565 | 0.405 | 1.2 | 14 | EYN07AW333M02 |
| 390 | 160 | 22 x 25 | 0.14 | 0.485 | 0.350 | 1.2 | 14 | EYN07LU339M02 |
| 390 | 160 | 25 x 25 | 0.14 | 0.485 | 0.350 | 1.4 | 18 | EYN07AU339M02 |
| 390 | 160 | 30 x 20 | 0.14 | 0.485 | 0.350 | 1.4 | 20 | EYN07BW339M02 |
| 470 | 160 | 22 x 30 | 0.14 | 0.410 | 0.295 | 1.4 | 16 | EYN07LV347M02 |
| 470 | 160 | 25 x 25 | 0.14 | 0.410 | 0.295 | 1.5 | 18 | EYN07AU347M02 |
| 470 | 160 | 30 x 20 | 0.14 | 0.410 | 0.295 | 1.5 | 20 | EYN07BW347M02 |
| 560 | 160 | 22 x 35 | 0.15 | 0.350 | 0.250 | 1.7 | 19 | EYN07LA356M02 |
| 560 | 160 | 25 x 30 | 0.15 | 0.350 | 0.250 | 1.7 | 21 | EYN07AV356M02 |
| 560 | 160 | 30 x 25 | 0.15 | 0.350 | 0.250 | 1.8 | 25 | EYN07BU356M02 |
| 560 | 160 | 35 x 20 | 0.15 | 0.350 | 0.250 | 1.8 | 27 | EYN07CW356M02 |
| 680 | 160 | 22 x 40 | 0.15 | 0.295 | 0.215 | 1.9 | 22 | EYN07LB368M02 |
| 680 | 160 | 25 x 30 | 0.15 | 0.295 | 0.215 | 1.9 | 21 | EYN07AV368M02 |
| 680 | 160 | 30 x 25 | 0.15 | 0.295 | 0.215 | 1.9 | 25 | EYN07BU368M02 |
| 680 | 160 | 35 x 20 | 0.15 | 0.295 | 0.215 | 2.0 | 27 | EYN07CW368M02 |
| 820 | 160 | 22 x 45 | 0.15 | 0.250 | 0.180 | 2.2 | 24 | EYN07LC382M02 |
| 820 | 160 | 25 x 35 | 0.15 | 0.250 | 0.180 | 2.2 | 25 | EYN07AA382M02 |
| 820 | 160 | 30 x 30 | 0.15 | 0.250 | 0.180 | 2.3 | 30 | EYN07BV382M02 |
| 820 | 160 | 35 x 25 | 0.15 | 0.250 | 0.180 | 2.3 | 34 | EYN07CU382M02 |
| 1000 | 160 | 22 x 50 | 0.16 | 0.215 | 0.155 | 2.6 | 27 | EYN07LD410M02 |
| 1000 | 160 | 25 x 40 | 0.16 | 0.215 | 0.155 | 2.6 | 28 | EYN07AB410M02 |
| 1000 | 160 | 30 x 30 | 0.16 | 0.215 | 0.155 | 2.5 | 30 | EYN07BV410M02 |
| 1000 | 160 | 35 x 25 | 0.16 | 0.215 | 0.155 | 2.6 | 34 | EYN07CU410M02 |
| 1200 | 160 | 25 x 45 | 0.16 | 0.185 | 0.135 | 2.7 | 31 | EYN07AC412M02 |
| 1200 | 160 | 30 x 35 | 0.16 | 0.185 | 0.135 | 2.7 | 35 | EYN07BA412M02 |
| 1200 | 160 | 35 x 30 | 0.16 | 0.185 | 0.135 | 2.8 | 41 | EYN07CV412M02 |
| 1500 | 160 | 30 x 40 | 0.17 | 0.155 | 0.115 | 3.2 | 40 | EYN07BB415M02 |
| 1500 | 160 | 35 x 35 | 0.17 | 0.155 | 0.115 | 3.3 | 48 | EYN07CA415M02 |
| 1800 | 160 | 35 x 40 | 0.18 | 0.135 | 0.100 | 3.7 | 55 | EYN07CB418M02 |
| 1800 | 160 | 40 x 40 | 0.18 | 0.135 | 0.100 | 4.0 | 72 | EYN07DB418M02 |
| 180 | 200 | 22 x 20 | 0.13 | 0.925 | 0.695 | 0.77 | 11 | EYN07LW318S02 |
| 220 | 200 | 22 x 25 | 0.13 | 0.765 | 0.575 | 0.93 | 14 | EYN07LU322S02 |
| 220 | 200 | 25 x 20 | 0.13 | 0.765 | 0.575 | 0.94 | 14 | EYN07AW322S02 |
| 270 | 200 | 22 x 25 | 0.13 | 0.630 | 0.475 | 1.0 | 14 | EYN07LU327S02 |
| 270 | 200 | 25 x 25 | 0.13 | 0.630 | 0.475 | 1.1 | 18 | EYN07AU327S02 |

ELECTRICAL CHARACTERISTICS, WEIGHT AND ORDERING CODE

| C_R 120 Hz [μ F] | RATED VOLTAGE U_R [V] | DIMENSION D x L [mm] | TAN δ 120 Hz MAX. | R_{ESR} 120 Hz MAX. [Ω] | Z 10 kHz MAX. [Ω] | I_R 120 Hz 85°C [A] | WEIGHT [g] | ORDERING NO. |
|-------------------------------|----------------------------------|----------------------------|--------------------------------|---|-------------------------------------|--------------------------------|---------------|---------------|
| 270 | 200 | 30 x 20 | 0.13 | 0.630 | 0.475 | 1.1 | 20 | EYN07BW327S02 |
| 330 | 200 | 22 x 30 | 0.13 | 0.525 | 0.395 | 1.2 | 16 | EYN07LV333S02 |
| 330 | 200 | 25 x 25 | 0.13 | 0.525 | 0.395 | 1.2 | 18 | EYN07AU333S02 |
| 330 | 200 | 30 x 20 | 0.13 | 0.525 | 0.395 | 1.3 | 20 | EYN07BW333S02 |
| 390 | 200 | 22 x 30 | 0.13 | 0.450 | 0.335 | 1.3 | 16 | EYN07LV339S02 |
| 390 | 200 | 25 x 25 | 0.13 | 0.450 | 0.335 | 1.4 | 18 | EYN07AU339S02 |
| 390 | 200 | 30 x 25 | 0.13 | 0.450 | 0.335 | 1.5 | 25 | EYN07BU339S02 |
| 390 | 200 | 35 x 20 | 0.13 | 0.450 | 0.335 | 1.5 | 27 | EYN07CW339S02 |
| 470 | 200 | 22 x 35 | 0.13 | 0.380 | 0.285 | 1.5 | 19 | EYN07LA347S02 |
| 470 | 200 | 25 x 30 | 0.13 | 0.380 | 0.285 | 1.6 | 21 | EYN07AV347S02 |
| 470 | 200 | 30 x 25 | 0.13 | 0.380 | 0.285 | 1.6 | 25 | EYN07BU347S02 |
| 470 | 200 | 35 x 20 | 0.13 | 0.380 | 0.285 | 1.6 | 27 | EYN07CW347S02 |
| 560 | 200 | 22 x 40 | 0.14 | 0.325 | 0.245 | 1.8 | 22 | EYN07LB356S02 |
| 560 | 200 | 25 x 35 | 0.14 | 0.325 | 0.245 | 1.8 | 25 | EYN07AA356S02 |
| 560 | 200 | 30 x 25 | 0.14 | 0.325 | 0.245 | 1.8 | 25 | EYN07BU356S02 |
| 560 | 200 | 35 x 25 | 0.14 | 0.325 | 0.245 | 1.9 | 34 | EYN07CU356S02 |
| 680 | 200 | 22 x 45 | 0.14 | 0.275 | 0.205 | 2.0 | 24 | EYN07LC368S02 |
| 680 | 200 | 25 x 40 | 0.14 | 0.275 | 0.205 | 2.1 | 28 | EYN07AB368S02 |
| 680 | 200 | 30 x 30 | 0.14 | 0.275 | 0.205 | 2.1 | 30 | EYN07BV368S02 |
| 680 | 200 | 35 x 25 | 0.14 | 0.275 | 0.205 | 2.1 | 34 | EYN07CU368S02 |
| 820 | 200 | 22 x 50 | 0.14 | 0.235 | 0.175 | 2.3 | 27 | EYN07LD382S02 |
| 820 | 200 | 25 x 45 | 0.14 | 0.235 | 0.175 | 2.4 | 31 | EYN07AC382S02 |
| 820 | 200 | 30 x 35 | 0.14 | 0.235 | 0.175 | 2.4 | 35 | EYN07BA382S02 |
| 820 | 200 | 35 x 30 | 0.14 | 0.235 | 0.175 | 2.4 | 41 | EYN07CV382S02 |
| 1000 | 200 | 30 x 40 | 0.15 | 0.200 | 0.150 | 2.8 | 40 | EYN07BB410S02 |
| 1000 | 200 | 35 x 30 | 0.15 | 0.200 | 0.150 | 2.7 | 41 | EYN07CV410S02 |
| 1200 | 200 | 30 x 45 | 0.15 | 0.175 | 0.130 | 3.0 | 45 | EYN07BC412S02 |
| 1200 | 200 | 35 x 35 | 0.15 | 0.175 | 0.130 | 2.9 | 48 | EYN07CA412S02 |
| 1500 | 200 | 30 x 50 | 0.16 | 0.145 | 0.110 | 3.5 | 50 | EYN07BD415S02 |
| 1500 | 200 | 35 x 40 | 0.16 | 0.145 | 0.110 | 3.4 | 55 | EYN07CB415S02 |
| 1800 | 200 | 35 x 45 | 0.17 | 0.130 | 0.100 | 3.9 | 62 | EYN07CC418S02 |
| 1800 | 200 | 40 x 40 | 0.17 | 0.130 | 0.100 | 4.0 | 72 | EYN07DB418S02 |
| 150 | 250 | 22 x 25 | 0.12 | 1.100 | 0.760 | 0.77 | 14 | EYN07LU315N02 |
| 150 | 250 | 25 x 20 | 0.12 | 1.100 | 0.760 | 0.78 | 14 | EYN07AW315N02 |
| 180 | 250 | 22 x 25 | 0.13 | 0.925 | 0.640 | 0.77 | 14 | EYN07LU318N02 |
| 180 | 250 | 25 x 20 | 0.13 | 0.925 | 0.640 | 0.86 | 14 | EYN07AW318N02 |
| 220 | 250 | 22 x 25 | 0.13 | 0.765 | 0.530 | 0.93 | 14 | EYN07LU322N02 |
| 220 | 250 | 25 x 25 | 0.13 | 0.765 | 0.530 | 1.0 | 18 | EYN07AU322N02 |
| 220 | 250 | 30 x 20 | 0.13 | 0.765 | 0.530 | 1.0 | 20 | EYN07BW322N02 |
| 270 | 250 | 22 x 30 | 0.13 | 0.630 | 0.435 | 1.1 | 16 | EYN07LV327N02 |
| 270 | 250 | 25 x 25 | 0.13 | 0.630 | 0.435 | 1.1 | 18 | EYN07AU327N02 |
| 270 | 250 | 30 x 20 | 0.13 | 0.630 | 0.435 | 1.1 | 20 | EYN07BW327N02 |
| 330 | 250 | 22 x 35 | 0.13 | 0.525 | 0.360 | 1.3 | 19 | EYN07LA333N02 |
| 330 | 250 | 25 x 30 | 0.13 | 0.525 | 0.360 | 1.3 | 21 | EYN07AV333N02 |
| 330 | 250 | 30 x 25 | 0.13 | 0.525 | 0.360 | 1.4 | 25 | EYN07BU333N02 |
| 330 | 250 | 35 x 20 | 0.13 | 0.525 | 0.360 | 1.4 | 27 | EYN07CW333N02 |
| 390 | 250 | 22 x 40 | 0.13 | 0.450 | 0.310 | 1.5 | 22 | EYN07LB339N02 |
| 390 | 250 | 25 x 30 | 0.13 | 0.450 | 0.310 | 1.4 | 21 | EYN07AV339N02 |
| 390 | 250 | 30 x 25 | 0.13 | 0.450 | 0.310 | 1.5 | 25 | EYN07BU339N02 |
| 390 | 250 | 35 x 20 | 0.13 | 0.450 | 0.310 | 1.5 | 27 | EYN07CW339N02 |
| 470 | 250 | 22 x 45 | 0.13 | 0.380 | 0.265 | 1.7 | 24 | EYN07LC347N02 |
| 470 | 250 | 25 x 35 | 0.13 | 0.380 | 0.265 | 1.7 | 25 | EYN07AA347N02 |
| 470 | 250 | 30 x 30 | 0.13 | 0.380 | 0.265 | 1.7 | 30 | EYN07BV347N02 |
| 470 | 250 | 35 x 25 | 0.13 | 0.380 | 0.265 | 1.8 | 34 | EYN07CU347N02 |
| 560 | 250 | 22 x 50 | 0.14 | 0.325 | 0.225 | 1.9 | 27 | EYN07LD356N02 |
| 560 | 250 | 25 x 40 | 0.14 | 0.325 | 0.225 | 1.9 | 28 | EYN07AB356N02 |



| ELECTRICAL CHARACTERISTICS, WEIGHT AND ORDERING CODE | | | | | | | | |
|---|--|---|--|--|--|--|---------------------------------|---------------------|
| C_R 120 Hz [μF] | RATED VOLTAGE U_R [V] | DIMENSION D x L [mm] | TAN δ 120 Hz MAX. | R_{ESR} 120 Hz MAX. [Ω] | Z 10 kHz MAX. [Ω] | I_R 120 Hz 85°C [A] | WEIGHT [g] | ORDERING NO. |
| 560 | 250 | 30 x 30 | 0.14 | 0.325 | 0.225 | 1.9 | 30 | EYN07BV356N02 |
| 560 | 250 | 35 x 25 | 0.14 | 0.325 | 0.225 | 1.9 | 34 | EYN07CU356N02 |
| 680 | 250 | 25 x 45 | 0.14 | 0.275 | 0.190 | 2.2 | 31 | EYN07AC368N02 |
| 680 | 250 | 30 x 35 | 0.14 | 0.275 | 0.190 | 2.2 | 35 | EYN07BA368N02 |
| 680 | 250 | 35 x 30 | 0.14 | 0.275 | 0.190 | 2.2 | 41 | EYN07CV368N02 |
| 820 | 250 | 30 x 40 | 0.14 | 0.235 | 0.165 | 2.5 | 40 | EYN07BB382N02 |
| 820 | 250 | 35 x 35 | 0.14 | 0.235 | 0.165 | 2.6 | 48 | EYN07CA382N02 |
| 1000 | 250 | 30 x 45 | 0.15 | 0.200 | 0.140 | 2.9 | 45 | EYN07BC410N02 |
| 1000 | 250 | 35 x 40 | 0.15 | 0.200 | 0.140 | 3.0 | 55 | EYN07CB410N02 |
| 1200 | 250 | 35 x 45 | 0.15 | 0.175 | 0.120 | 3.2 | 62 | EYN07CC412N02 |
| 1200 | 250 | 40 x 40 | 0.15 | 0.175 | 0.120 | 3.2 | 72 | EYN07DB412N02 |
| 1500 | 250 | 35 x 50 | 0.16 | 0.145 | 0.100 | 3.7 | 68 | EYN07CD415N02 |
| 1500 | 250 | 40 x 50 | 0.16 | 0.145 | 0.100 | 3.9 | 89 | EYN07DD415N02 |
| 1800 | 250 | 40 x 60 | 0.17 | 0.130 | 0.090 | 4.6 | 107 | EYN07DF418N02 |
| 82 | 350 | 22 x 20 | 0.12 | 1.980 | 1.370 | 0.53 | 11 | EYN07LW282O02 |
| 100 | 350 | 22 x 25 | 0.12 | 1.635 | 1.125 | 0.62 | 14 | EYN07LU310O02 |
| 100 | 350 | 25 x 20 | 0.12 | 1.635 | 1.125 | 0.64 | 14 | EYN07AW310O02 |
| 120 | 350 | 22 x 30 | 0.12 | 1.365 | 0.945 | 0.73 | 16 | EYN07LV312O02 |
| 120 | 350 | 25 x 25 | 0.12 | 1.365 | 0.945 | 0.75 | 18 | EYN07AU312O02 |
| 120 | 350 | 30 x 20 | 0.12 | 1.365 | 0.945 | 0.77 | 20 | EYN07BW312O02 |
| 150 | 350 | 22 x 35 | 0.12 | 1.100 | 0.760 | 0.86 | 19 | EYN07LA315O02 |
| 150 | 350 | 25 x 30 | 0.12 | 1.100 | 0.760 | 0.89 | 21 | EYN07AV315O02 |
| 150 | 350 | 30 x 20 | 0.12 | 1.100 | 0.760 | 0.86 | 20 | EYN07BW315O02 |
| 180 | 350 | 22 x 40 | 0.13 | 0.925 | 0.640 | 0.99 | 22 | EYN07LB318O02 |
| 180 | 350 | 25 x 35 | 0.13 | 0.925 | 0.640 | 1.0 | 25 | EYN07AA318O02 |
| 180 | 350 | 30 x 25 | 0.13 | 0.925 | 0.640 | 1.0 | 25 | EYN07BU318O02 |
| 180 | 350 | 35 x 20 | 0.13 | 0.925 | 0.640 | 1.0 | 27 | EYN07CW318O02 |
| 220 | 350 | 22 x 45 | 0.13 | 0.765 | 0.530 | 1.1 | 24 | EYN07LC322O02 |
| 220 | 350 | 25 x 35 | 0.13 | 0.765 | 0.530 | 1.1 | 25 | EYN07AA322O02 |
| 220 | 350 | 30 x 30 | 0.13 | 0.765 | 0.530 | 1.2 | 30 | EYN07BV322O02 |
| 220 | 350 | 35 x 25 | 0.13 | 0.765 | 0.530 | 1.2 | 34 | EYN07CU322O02 |
| 270 | 350 | 25 x 45 | 0.13 | 0.630 | 0.435 | 1.4 | 31 | EYN07AC327O02 |
| 270 | 350 | 30 x 35 | 0.13 | 0.630 | 0.435 | 1.4 | 35 | EYN07BA327O02 |
| 270 | 350 | 35 x 25 | 0.13 | 0.630 | 0.435 | 1.4 | 34 | EYN07CU327O02 |
| 330 | 350 | 25 x 50 | 0.13 | 0.525 | 0.360 | 1.6 | 35 | EYN07AD333O02 |
| 330 | 350 | 30 x 40 | 0.13 | 0.525 | 0.360 | 1.6 | 40 | EYN07BB333O02 |
| 330 | 350 | 35 x 30 | 0.13 | 0.525 | 0.360 | 1.6 | 41 | EYN07CV333O02 |
| 390 | 350 | 30 x 45 | 0.13 | 0.450 | 0.310 | 1.8 | 45 | EYN07BC339O02 |
| 390 | 350 | 35 x 35 | 0.13 | 0.450 | 0.310 | 1.8 | 48 | EYN07CA339O02 |
| 470 | 350 | 30 x 50 | 0.13 | 0.380 | 0.265 | 2.1 | 50 | EYN07BD347O02 |
| 470 | 350 | 35 x 40 | 0.13 | 0.380 | 0.265 | 2.0 | 55 | EYN07CB347O02 |
| 560 | 350 | 35 x 45 | 0.14 | 0.325 | 0.225 | 2.3 | 62 | EYN07CC356O02 |
| 680 | 350 | 35 x 50 | 0.14 | 0.275 | 0.190 | 2.7 | 68 | EYN07CD368O02 |
| 680 | 350 | 40 x 40 | 0.14 | 0.275 | 0.190 | 2.6 | 72 | EYN07DB368O02 |
| 820 | 350 | 40 x 50 | 0.14 | 0.235 | 0.165 | 3.1 | 89 | EYN07DD382O02 |
| 68 | 400 | 22 x 20 | 0.12 | 2.380 | 1.620 | 0.48 | 11 | EYN07LW268X02 |
| 82 | 400 | 22 x 25 | 0.12 | 1.980 | 1.350 | 0.56 | 14 | EYN07LU282X02 |
| 82 | 400 | 25 x 20 | 0.12 | 1.980 | 1.350 | 0.58 | 14 | EYN07AW282X02 |
| 100 | 400 | 22 x 30 | 0.12 | 1.635 | 1.110 | 0.66 | 16 | EYN07LV310X02 |
| 100 | 400 | 25 x 25 | 0.12 | 1.635 | 1.110 | 0.69 | 18 | EYN07AU310X02 |
| 100 | 400 | 30 x 20 | 0.12 | 1.635 | 1.110 | 0.70 | 20 | EYN07BW310X02 |
| 120 | 400 | 22 x 30 | 0.12 | 1.365 | 0.930 | 0.73 | 16 | EYN07LV312X02 |
| 120 | 400 | 25 x 25 | 0.12 | 1.365 | 0.930 | 0.75 | 18 | EYN07AU312X02 |
| 120 | 400 | 30 x 20 | 0.12 | 1.365 | 0.930 | 0.77 | 20 | EYN07BW312X02 |

ELECTRICAL CHARACTERISTICS, WEIGHT AND ORDERING CODE

| C_R 120 Hz [μ F] | RATED VOLTAGE U_R [V] | DIMENSION D x L [mm] | TAN δ 120 Hz MAX. | R_{ESR} 120 Hz MAX. [Ω] | Z 10 kHz MAX. [Ω] | I_R 120 Hz 85°C [A] | WEIGHT [g] | ORDERING NO. |
|-------------------------------|----------------------------------|----------------------------|--------------------------------|---|-------------------------------------|--------------------------------|---------------|---------------|
| 150 | 400 | 22 x 35 | 0.12 | 1.100 | 0.750 | 0.86 | 19 | EYN07LA315X02 |
| 150 | 400 | 25 x 30 | 0.12 | 1.100 | 0.750 | 0.89 | 21 | EYN07AV315X02 |
| 150 | 400 | 30 x 25 | 0.12 | 1.100 | 0.750 | 0.92 | 25 | EYN07BU315X02 |
| 150 | 400 | 35 x 20 | 0.12 | 1.100 | 0.750 | 0.93 | 27 | EYN07CW315X02 |
| 180 | 400 | 22 x 40 | 0.13 | 0.925 | 0.630 | 0.99 | 22 | EYN07LB318X02 |
| 180 | 400 | 25 x 35 | 0.13 | 0.925 | 0.630 | 1.0 | 25 | EYN07AA318X02 |
| 180 | 400 | 30 x 25 | 0.13 | 0.925 | 0.630 | 1.0 | 25 | EYN07BU318X02 |
| 180 | 400 | 35 x 25 | 0.13 | 0.925 | 0.630 | 1.1 | 34 | EYN07CU318X02 |
| 220 | 400 | 22 x 45 | 0.13 | 0.765 | 0.520 | 1.1 | 24 | EYN07LC322X02 |
| 220 | 400 | 25 x 40 | 0.13 | 0.765 | 0.520 | 1.2 | 28 | EYN07AB322X02 |
| 220 | 400 | 30 x 30 | 0.13 | 0.765 | 0.520 | 1.2 | 30 | EYN07BV322X02 |
| 220 | 400 | 35 x 25 | 0.13 | 0.765 | 0.520 | 1.2 | 34 | EYN07CU322X02 |
| 270 | 400 | 25 x 45 | 0.13 | 0.630 | 0.430 | 1.4 | 31 | EYN07AC327X02 |
| 270 | 400 | 30 x 35 | 0.13 | 0.630 | 0.430 | 1.4 | 35 | EYN07BA327X02 |
| 270 | 400 | 35 x 30 | 0.13 | 0.630 | 0.430 | 1.4 | 41 | EYN07CV327X02 |
| 330 | 400 | 25 x 50 | 0.13 | 0.525 | 0.355 | 1.6 | 35 | EYN07AD333X02 |
| 330 | 400 | 30 x 40 | 0.13 | 0.525 | 0.355 | 1.6 | 40 | EYN07BB333X02 |
| 330 | 400 | 35 x 30 | 0.13 | 0.525 | 0.355 | 1.6 | 41 | EYN07CV333X02 |
| 390 | 400 | 30 x 45 | 0.13 | 0.450 | 0.305 | 1.8 | 45 | EYN07BC339X02 |
| 390 | 400 | 35 x 35 | 0.13 | 0.450 | 0.305 | 1.8 | 48 | EYN07CA339X02 |
| 470 | 400 | 30 x 50 | 0.13 | 0.380 | 0.260 | 2.1 | 50 | EYN07BD347X02 |
| 470 | 400 | 35 x 40 | 0.13 | 0.380 | 0.260 | 2.0 | 55 | EYN07CB347X02 |
| 560 | 400 | 35 x 45 | 0.14 | 0.325 | 0.220 | 2.3 | 62 | EYN07CC356X02 |
| 560 | 400 | 40 x 40 | 0.14 | 0.325 | 0.220 | 2.4 | 72 | EYN07DB356X02 |
| 680 | 400 | 40 x 50 | 0.14 | 0.275 | 0.190 | 2.8 | 89 | EYN07DD368X02 |
| 820 | 400 | 40 x 60 | 0.14 | 0.235 | 0.160 | 3.3 | 107 | EYN07DF382X02 |
| 47 | 450 | 22 x 20 | 0.15 | 4.275 | 2.990 | 0.36 | 11 | EYN07LW247P02 |
| 56 | 450 | 22 x 20 | 0.15 | 3.595 | 2.515 | 0.39 | 11 | EYN07LW256P02 |
| 68 | 450 | 22 x 25 | 0.15 | 2.965 | 2.075 | 0.46 | 14 | EYN07LU268P02 |
| 68 | 450 | 25 x 20 | 0.15 | 2.965 | 2.075 | 0.47 | 14 | EYN07AW268P02 |
| 82 | 450 | 22 x 30 | 0.15 | 2.465 | 1.730 | 0.54 | 16 | EYN07LV282P02 |
| 82 | 450 | 25 x 25 | 0.15 | 2.465 | 1.730 | 0.56 | 18 | EYN07AU282P02 |
| 82 | 450 | 30 x 20 | 0.15 | 2.465 | 1.730 | 0.57 | 20 | EYN07BW282P02 |
| 100 | 450 | 22 x 35 | 0.15 | 2.030 | 1.420 | 0.63 | 19 | EYN07LA310P02 |
| 100 | 450 | 25 x 30 | 0.15 | 2.030 | 1.420 | 0.65 | 21 | EYN07AV310P02 |
| 100 | 450 | 30 x 25 | 0.15 | 2.030 | 1.420 | 0.67 | 25 | EYN07BU310P02 |
| 100 | 450 | 35 x 20 | 0.15 | 2.030 | 1.420 | 0.68 | 27 | EYN07CW310P02 |
| 120 | 450 | 22 x 40 | 0.15 | 1.700 | 1.190 | 0.73 | 22 | EYN07LB312P02 |
| 120 | 450 | 25 x 35 | 0.15 | 1.700 | 1.190 | 0.76 | 25 | EYN07AA312P02 |
| 120 | 450 | 30 x 25 | 0.15 | 1.700 | 1.190 | 0.73 | 25 | EYN07BU312P02 |
| 120 | 450 | 35 x 20 | 0.15 | 1.700 | 1.190 | 0.75 | 27 | EYN07CW312P02 |
| 150 | 450 | 22 x 50 | 0.15 | 1.365 | 0.960 | 0.89 | 27 | EYN07LD315P02 |
| 150 | 450 | 25 x 40 | 0.15 | 1.365 | 0.960 | 0.89 | 28 | EYN07AB315P02 |
| 150 | 450 | 30 x 30 | 0.15 | 1.365 | 0.960 | 0.87 | 30 | EYN07BV315P02 |
| 150 | 450 | 35 x 25 | 0.15 | 1.365 | 0.960 | 0.89 | 34 | EYN07CU315P02 |
| 180 | 450 | 25 x 45 | 0.16 | 1.145 | 0.805 | 1.0 | 31 | EYN07AC318P02 |
| 180 | 450 | 30 x 35 | 0.16 | 1.145 | 0.805 | 1.0 | 35 | EYN07BA318P02 |
| 180 | 450 | 35 x 25 | 0.16 | 1.145 | 0.805 | 0.98 | 34 | EYN07CU318P02 |
| 220 | 450 | 25 x 50 | 0.16 | 0.945 | 0.660 | 1.2 | 35 | EYN07AD322P02 |
| 220 | 450 | 30 x 40 | 0.16 | 0.945 | 0.660 | 1.2 | 40 | EYN07BB322P02 |
| 220 | 450 | 35 x 30 | 0.16 | 0.945 | 0.660 | 1.1 | 41 | EYN07CV322P02 |
| 270 | 450 | 30 x 45 | 0.16 | 0.780 | 0.545 | 1.4 | 45 | EYN07BC327P02 |
| 270 | 450 | 35 x 35 | 0.16 | 0.780 | 0.545 | 1.3 | 48 | EYN07CA327P02 |
| 330 | 450 | 30 x 50 | 0.16 | 0.645 | 0.450 | 1.6 | 50 | EYN07BD333P02 |
| 330 | 450 | 35 x 40 | 0.16 | 0.645 | 0.450 | 1.5 | 55 | EYN07CB333P02 |
| 390 | 450 | 35 x 45 | 0.16 | 0.550 | 0.385 | 1.7 | 62 | EYN07CC339P02 |

| ELECTRICAL CHARACTERISTICS, WEIGHT AND ORDERING CODE | | | | | | | | |
|---|----------------------------------|----------------------------|--------------------------------|---|-------------------------------------|--------------------------------|---------------|---------------|
| C_R 120 Hz [μF] | RATED VOLTAGE U_R [V] | DIMENSION D x L [mm] | TAN δ 120 Hz MAX. | R_{ESR} 120 Hz MAX. [Ω] | Z 10 kHz MAX. [Ω] | I_R 120 Hz 85°C [A] | WEIGHT [g] | ORDERING NO. |
| 470 | 450 | 35 x 50 | 0.16 | 0.465 | 0.325 | 2.0 | 68 | EYN07CD347P02 |
| 470 | 450 | 40 x 40 | 0.16 | 0.465 | 0.325 | 2.0 | 72 | EYN07DB347P02 |
| 560 | 450 | 40 x 50 | 0.17 | 0.395 | 0.280 | 2.3 | 89 | EYN07DD356P02 |
| 680 | 450 | 40 x 60 | 0.17 | 0.335 | 0.235 | 2.7 | 107 | EYN07DF368P02 |
| 68 | 500 | 22 x 30 | 0.15 | 2.965 | 1.930 | 0.44 | 16 | EYN07LV268Y02 |
| 82 | 500 | 22 x 35 | 0.15 | 2.465 | 1.605 | 0.51 | 19 | EYN07LA282Y02 |
| 82 | 500 | 25 x 30 | 0.15 | 2.465 | 1.605 | 0.53 | 21 | EYN07AV282Y02 |
| 100 | 500 | 22 x 40 | 0.15 | 2.030 | 1.320 | 0.60 | 22 | EYN07LB310Y02 |
| 100 | 500 | 25 x 35 | 0.15 | 2.030 | 1.320 | 0.62 | 25 | EYN07AA310Y02 |
| 120 | 500 | 25 x 40 | 0.15 | 1.700 | 1.105 | 0.71 | 28 | EYN07AB312Y02 |
| 150 | 500 | 30 x 35 | 0.15 | 1.365 | 0.890 | 0.82 | 35 | EYN07BA315Y02 |
| 180 | 500 | 30 x 40 | 0.16 | 1.145 | 0.745 | 0.94 | 40 | EYN07BB318Y02 |
| 220 | 500 | 30 x 45 | 0.16 | 0.945 | 0.615 | 1.1 | 45 | EYN07BC322Y02 |
| 270 | 500 | 35 x 45 | 0.16 | 0.780 | 0.505 | 1.3 | 62 | EYN07CC327Y02 |
| 330 | 500 | 35 x 50 | 0.16 | 0.645 | 0.420 | 1.5 | 68 | EYN07CD333Y02 |
| 470 | 500 | 40 x 50 | 0.16 | 0.465 | 0.305 | 1.9 | 89 | EYN07DD347Y02 |
| 560 | 500 | 40 x 60 | 0.17 | 0.395 | 0.260 | 2.2 | 107 | EYN07DF356Y02 |
| 680 | 500 | 40 x 60 | 0.17 | 0.335 | 0.220 | 2.4 | 107 | EYN07DF368Y02 |

LEAKAGE CURRENT

Formula for the calculation of the maximum leakage current I_L for acceptance tests. Testing conditions: U_R , 20°C, 5 minutes.

$$I_{L(300S)}/\mu\text{A} \leq 3 \times \sqrt{(C_R/\mu\text{F}) \times (U_R/V)}$$

Table for the calculation of the maximum 10 kHz impedance at low temperatures.

| LOW TEMPERATURE BEHAVIOR | | | | | | | | | | | | | | | |
|--|-------------------------|-------|-------|-------|-------|-------|-------|------|------|------|------|------|------|------|------|
| Z (10kHz) [Ω] = TABULAR VALUE / C_R [μF] | | | | | | | | | | | | | | | |
| T_a [°C] | RATED VOLTAGE U_R [V] | | | | | | | | | | | | | | |
| | 6.3 | 10 | 16 | 25 | 35 | 50 | 63 | 100 | 160 | 200 | 250 | 350 | 400 | 450 | 500 |
| - 25 | 9000 | 7200 | 5400 | 4050 | 3150 | 2700 | 2250 | 1710 | 1960 | 1820 | 1680 | 1870 | 1870 | 1870 | 1870 |
| - 40 | 30000 | 24000 | 18000 | 13500 | 10500 | 12000 | 10000 | 7600 | 7000 | 6500 | 7200 | 6600 | | | |

The lower limit of the series resistance and impedance is given by the ohmic part of the contact points and the foil resistance values. Therefore it will not always be possible to achieve calculated values below 0.03 Ω .



| OPERATING LIFE TABLE | | | | | | | | | | | | | | | | | |
|---|------|-------------|------|------|------|-------|--|-----|-----|-----|-----|-----|-----|-----|-----|------------|--|
| Interrelation between alternating current load, ambient temperature and useful life | | | | | | | | | | | | | | | | | |
| U_R ≤ 100V | | | | | | | | | | | | | | | | | |
| Current ratio I / I _R (depending on frequency) | | | | | | | Multiplier L for useful life (depending on I/I _R and T _a) | | | | | | | | | | |
| 2.22 | 2.53 | 2.60 | 2.81 | 2.94 | 3.01 | 3.07 | 1.0 | | | | | | | | | | |
| 2.05 | 2.34 | 2.40 | 2.59 | 2.71 | 2.78 | 2.83 | 1.5 | 1.2 | | | | | | | | | |
| 1.88 | 2.14 | 2.20 | 2.38 | 2.48 | 2.55 | 2.59 | 2.2 | 1.8 | 1.4 | 1.1 | | | | | | | |
| 1.71 | 1.95 | 2.00 | 2.16 | 2.26 | 2.32 | 2.36 | 3.4 | 2.6 | 2.0 | 1.6 | 1.2 | | | | | | |
| 1.54 | 1.75 | 1.80 | 1.94 | 2.03 | 2.09 | 2.12 | 5.1 | 3.9 | 2.9 | 2.2 | 1.7 | 1.3 | | | | | |
| 1.37 | 1.56 | 1.60 | 1.73 | 1.81 | 1.85 | 1.89 | 7.7 | 5.7 | 4.2 | 3.1 | 2.3 | 1.7 | 1.3 | | | | |
| 1.20 | 1.36 | 1.40 | 1.51 | 1.58 | 1.62 | 1.65 | 11 | 8.2 | 6.0 | 4.3 | 3.1 | 2.3 | 1.7 | 1.2 | | | |
| 1.02 | 1.17 | 1.20 | 1.30 | 1.35 | 1.39 | 1.42 | 16 | 12 | 8.3 | 5.9 | 4.2 | 3.0 | 2.2 | 1.6 | 1.1 | | |
| 0.85 | 0.97 | 1.00 | 1.08 | 1.13 | 1.16 | 1.18 | 23 | 16 | 11 | 7.8 | 5.5 | 3.8 | 2.7 | 1.9 | 1.4 | 1.0 | |
| 0.68 | 0.78 | 0.80 | 0.86 | 0.90 | 0.93 | 0.94 | 32 | 22 | 15 | 10 | 6.9 | 4.8 | 3.4 | 2.4 | 1.7 | 1.2 | |
| 0.51 | 0.58 | 0.60 | 0.65 | 0.68 | 0.70 | 0.71 | 43 | 28 | 19 | 12 | 8.4 | 5.8 | 4.0 | 2.8 | 1.9 | 1.4 | |
| 0.34 | 0.39 | 0.40 | 0.43 | 0.45 | 0.46 | 0.47 | 53 | 34 | 22 | 15 | 9.9 | 6.7 | 4.5 | 3.1 | 2.2 | 1.5 | |
| 0.17 | 0.19 | 0.20 | 0.22 | 0.23 | 0.23 | 0.24 | 62 | 40 | 26 | 17 | 11 | 7.4 | 5.0 | 3.4 | 2.3 | 1.6 | |
| 0.00 | 0.00 | 0.00 | 0.00 | 0.00 | 0.00 | 0.00 | 66 | 42 | 27 | 17 | 11 | 7.6 | 5.1 | 3.5 | 2.4 | 1.7 | |
| 50 | 100 | 120 | 250 | 500 | 1000 | >2500 | 40 | 45 | 50 | 55 | 60 | 65 | 70 | 75 | 80 | 85 | |
| Frequency [Hz] | | | | | | | Ambient temperature T_a [°C] | | | | | | | | | | |
| U_R > 100V | | | | | | | | | | | | | | | | | |
| Current ratio I / I _R (depending on frequency) | | | | | | | Multiplier L for useful life (depending on I/I _R and T _a) | | | | | | | | | | |
| 2.17 | 2.52 | 2.60 | 2.90 | 3.12 | 3.31 | 3.48 | 1.0 | | | | | | | | | | |
| 2.00 | 2.32 | 2.40 | 2.67 | 2.88 | 3.05 | 3.22 | 1.6 | 1.3 | 1.0 | | | | | | | | |
| 1.83 | 2.13 | 2.20 | 2.45 | 2.64 | 2.80 | 2.95 | 2.4 | 1.9 | 1.5 | 1.1 | | | | | | | |
| 1.67 | 1.94 | 2.00 | 2.23 | 2.40 | 2.54 | 2.68 | 3.7 | 2.8 | 2.2 | 1.6 | 1.2 | | | | | | |
| 1.50 | 1.74 | 1.80 | 2.01 | 2.16 | 2.29 | 2.41 | 5.6 | 4.2 | 3.1 | 2.3 | 1.7 | 1.3 | | | | | |
| 1.33 | 1.55 | 1.60 | 1.78 | 1.92 | 2.03 | 2.14 | 8.2 | 6.1 | 4.5 | 3.3 | 2.4 | 1.8 | 1.3 | | | | |
| 1.17 | 1.36 | 1.40 | 1.56 | 1.68 | 1.78 | 1.88 | 12 | 8.7 | 6.3 | 4.5 | 3.3 | 2.4 | 1.7 | 1.2 | | | |
| 1.00 | 1.16 | 1.20 | 1.34 | 1.44 | 1.53 | 1.61 | 17 | 12 | 8.7 | 6.1 | 4.3 | 3.1 | 2.2 | 1.6 | 1.1 | | |
| 0.83 | 0.97 | 1.00 | 1.11 | 1.20 | 1.27 | 1.34 | 24 | 17 | 12 | 8.1 | 5.6 | 3.9 | 2.8 | 2.0 | 1.4 | 1.0 | |
| 0.67 | 0.77 | 0.80 | 0.89 | 0.96 | 1.02 | 1.07 | 33 | 22 | 15 | 10 | 7.1 | 4.9 | 3.4 | 2.4 | 1.7 | 1.2 | |
| 0.50 | 0.58 | 0.60 | 0.67 | 0.72 | 0.76 | 0.80 | 43 | 28 | 19 | 13 | 8.5 | 5.8 | 4.0 | 2.8 | 1.9 | 1.4 | |
| 0.33 | 0.39 | 0.40 | 0.45 | 0.48 | 0.51 | 0.54 | 53 | 35 | 23 | 15 | 9.9 | 6.7 | 4.6 | 3.1 | 2.2 | 1.5 | |
| 0.17 | 0.19 | 0.20 | 0.22 | 0.24 | 0.25 | 0.27 | 62 | 40 | 26 | 17 | 11 | 7.4 | 5.0 | 3.4 | 2.4 | 1.6 | |
| 0.00 | 0.00 | 0.00 | 0.00 | 0.00 | 0.00 | 0.00 | 66 | 42 | 27 | 17 | 11 | 7.6 | 5.1 | 3.5 | 2.4 | 1.7 | |
| 50 | 100 | 120 | 250 | 500 | 1000 | >2500 | 40 | 45 | 50 | 55 | 60 | 65 | 70 | 75 | 80 | 85 | |
| Frequency [Hz] | | | | | | | Ambient temperature T_a [°C] | | | | | | | | | | |

I_R [A] Rated ripple current (120 Hz, rms) at upper category temperature, taken from data sheet

I [A] User ripple current

T_a [°C] Ambient temperature of capacitor

L Useful life multiplier

Regard L as a function of ambient temperature (x-axis) and of current (y-axis); use the current-axis according to the frequency.

Specifications are subject to change without notice.

All details in printed form are legally binding especially with respect to the provisions of §§463 and 480 II of the German Code of Civil Law after written confirmation only. The data indicated herein described the type of component and shall not be considered as assured characteristics.

The products listed in this catalog are not generally recommended for use in life support systems where a failure or malfunction of the component may directly threaten life or cause injury.

The user of products in such applications assumes all risks of such use and will agree to hold Vishay Intertechnology, Inc. and all the companies whose products are represented in this catalog, harmless against all damages.