



Features

- Dimensions of 6, 8 and 10mm
- Carbon element
- Open frame construction
- Vertical or horizontal adjustment

Applications

- Television sets
- Low cost receivers

TDB06/TDB08/TDB10 - Trimming Potentiometer

Electrical Characteristics

TaperB (linear)
 Standard Resistance Range
500 ohms to 1M ohm
 (see standard resistance table)
 Resistance Tolerance±30% std.
 Nominal Resistance Value
See standard resistance table
 Residual Resistance
Max. 100 ohms or ±5%

Environmental Characteristics

Power Rating
 TDB060.05 watt
 TDB08/100.1 watt
 Temperature+5% and -30%
 resistance change
 after 5 hours at 70°C
 Load5% resistance change max.
 after 3 hours rated load
 Humidity ...15% resistance change max.
 after 5 hours in 95% RH at 40°
 Load Life...20% resistance change max.
 after rated load for 350 hours in
 90% RH at 40°

Physical Characteristics

Mechanical Angle.....280 ± 20°
 Rotational Torque.....20-300
 Stop-End Strength5 kg/cm min
 Mechanical Strength Base.....1.1 cm min
 Contact Force270 mN
 Rotational Life15 resistance
 change max. after 10
 rotational life tests
 Soldering Condition60 sec max
 within 3 seconds

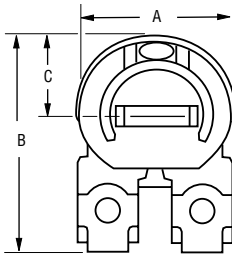
How To Order

TDB 08 - 3 103

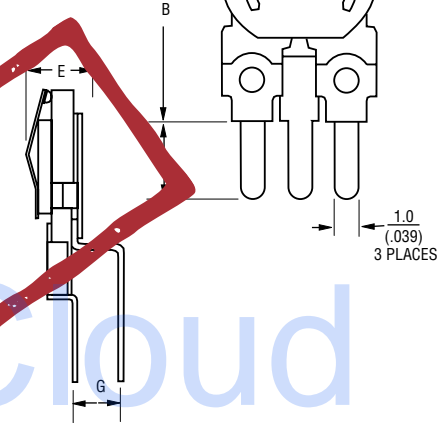
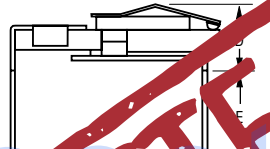
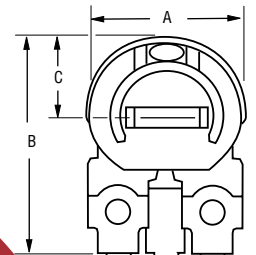
Model _____
 Size _____
 • 06 = 6.5mm
 • 08 = 8mm
 • 10 = 10mm
 Pin/Housing Style _____
 (Refer to drawing)
 Resistance Code _____
 (See table)

Consult factory for other available options.

TDB06-5
 TDB08-5
 TDB10-4

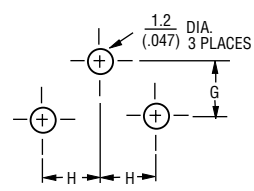
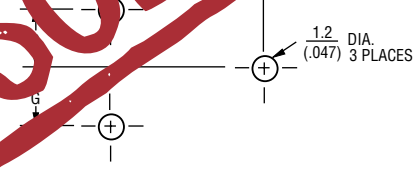


TDB06-6
 TDB08-3
 TDB10-8



RECOMMENDED PCB LAYOUT

RECOMMENDED PCB LAYOUT



Dimensions

	TDB-06-5	TDB-08-5	TDB-10-4
A	6.6 .260	8 .315	10 .394
B	7.2 .283	11 .433	15.3 .602
C	3.6 .142	4 .157	7.3 .278
D	3 .118	4 .157	5 .197
E	3.8 .150	4 .157	4 .157
F	6.9 .272	10 .394	15 .590
G	2.5 .089	2.5 .089	3.5 .138

Standard Resistance Table

Resistance (Ohms)	Resistance Code
500	501
1,000	102
2,000	202
5,000	502
10,000	103
20,000	203
50,000	503
100,000	104
200,000	204
500,000	504
1,000,000	105

Dimensions

	TDB-06-6	TDB-08-3	TDB-10-8
A	6.6 .260	8 .315	10 .394
B	7.2 .283	11 .433	15.3 .602
C	3.6 .142	4 .157	7.3 .278
D	3.5 .138	4 .157	7 .275
E	2.3 .090	3 .118	3.5 .138
F	2.5 .089	2.5 .089	1 .039
G	2.5 .089	2.5 .089	1 .039
H	2.5 .089	2.5 .089	5 .197

DIMENSIONS ARE: METRIC (INCHES)

Specifications are subject to change without notice.