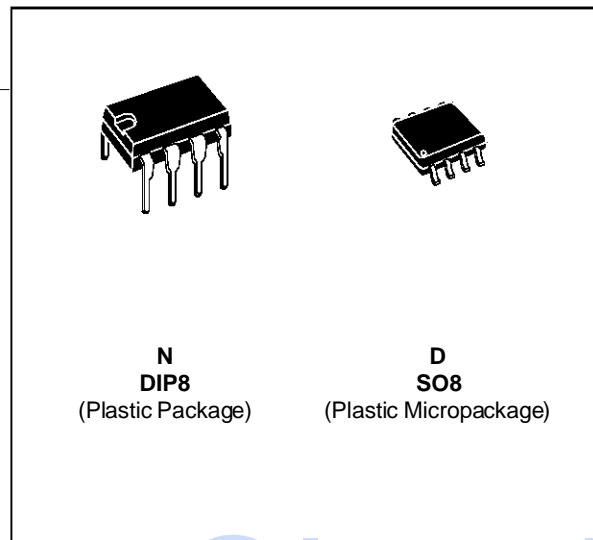


SINGLE OPERATIONAL AMPLIFIER

	LM101A LM201A	LM301A
■ INPUT OFFSET VOLTAGE	0.7mV	2mV
■ INPUT BIAS CURRENT	25nA	70nA
■ INPUT OFFSET CURRENT	1.5nA	2nA
■ SLEW RATE AS INVERTING AMPLIFIER	10V/μs	10V/μs



DESCRIPTION

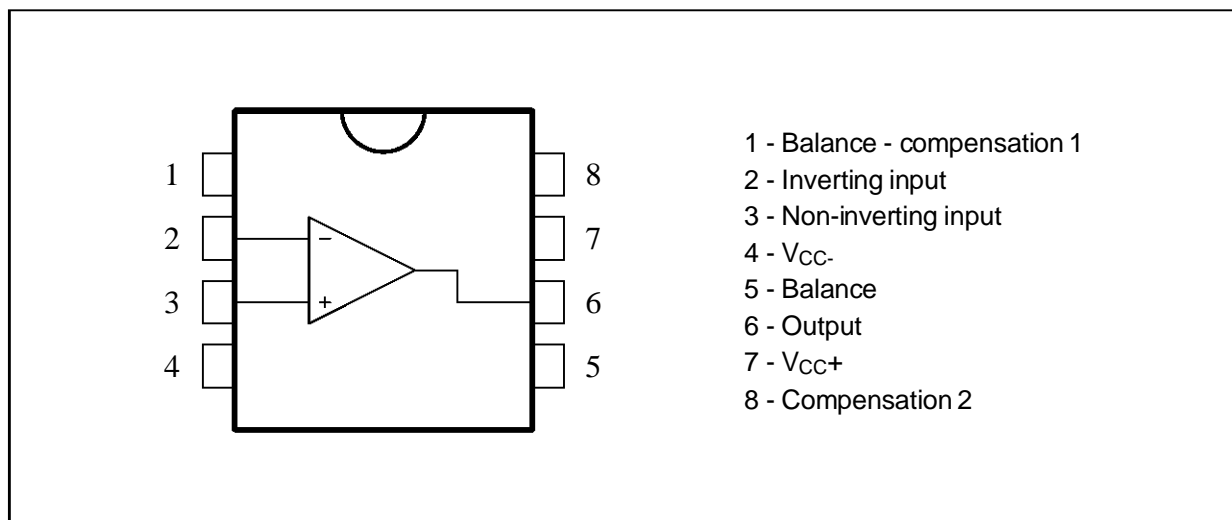
The LM101A is a general-purpose operational amplifier which offers many features : supply voltages from $\pm 5V$ to $\pm 22V$, low current drain, overload protection on the input and output, no latch-up when the common-mode range is exceeded, free from oscillations and compensation with a single 30pF capacitor. It has advantages over internally compensated amplifiers in that the compensation can be tailored to the particular application : slew rate of 10V/μs and bandwidth of 3.5MHz can be easily achieved.

ORDER CODES

Part Number	Temperature Range	Package	
		N	D
LM101A	-55°C, +125°C	•	•
LM201A	-40°C, +105°C	•	•
LM301A	0°C, +70°C	•	•

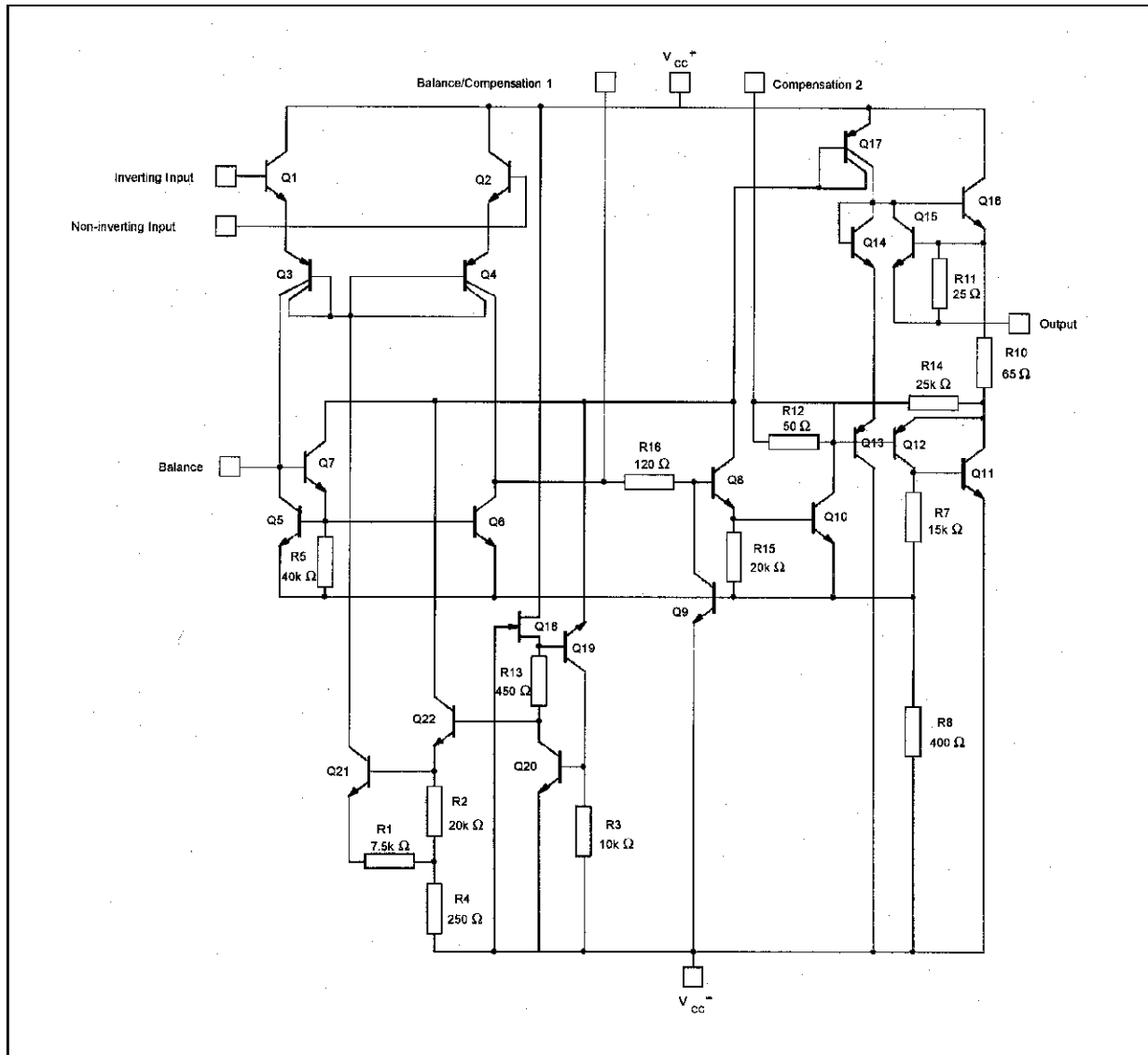
Example : LM201AN

PIN CONNECTIONS (top view)



LM101A - LM201A - LM301A

SCHEMATIC DIAGRAM



ABSOLUTE MAXIMUM RATINGS

Symbol	Parameter	LM101A	LM201A	LM301A	Unit
V_{cc}	Supply Voltage		± 22		V
V_{id}	Differential Input Voltage		± 30		V
V_i	Input Voltage		± 15		V
P_{tot}	Power Dissipation		500 300		mW
	Output Short-circuit Duration		Infinite		
T_{oper}	Operating Free Air Temperature Range	-55 to +125	-40 to +105	0 to +70	$^{\circ}\text{C}$
T_{stg}	Storage Temperature Range	-65 to +150	-65 to +150	-65 to +150	$^{\circ}\text{C}$

ELECTRICAL CHARACTERISTICS

LM301A $0^{\circ}\text{C} < T_{\text{amb}} < +70^{\circ}\text{C}$ $\pm 5\text{V} \leq V_{\text{CC}} \leq \pm 20\text{V}$ $C1 = 30\text{pF}$
LM201A $-40^{\circ}\text{C} < T_{\text{amb}} < +105^{\circ}\text{C}$ $\pm 5\text{V} \leq V_{\text{CC}} \leq \pm 20\text{V}$ $C1 = 30\text{pF}$
LM101A $-55^{\circ}\text{C} < T_{\text{amb}} < +125^{\circ}\text{C}$ $\pm 5\text{V} \leq V_{\text{CC}} \leq \pm 20\text{V}$ $C1 = 30\text{pF}$

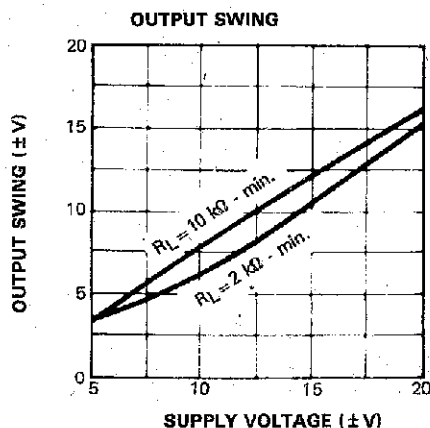
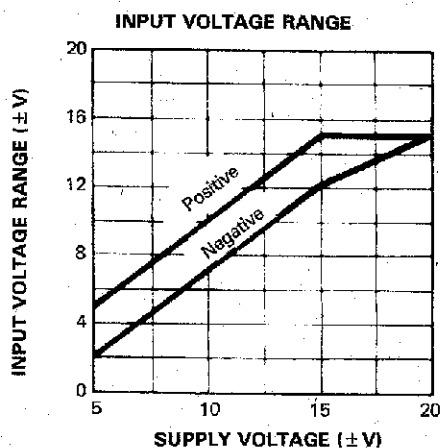
Symbol	Parameter	LM101A - LM201A			LM301A			Unit
		Min.	Typ.	Max.	Min.	Typ.	Max.	
V_{io}	Input Offset Voltage ($R_S \leq 10\text{k}\Omega$) $T_{\text{amb}} = +25^{\circ}\text{C}$ $T_{\text{min.}} \leq T_{\text{amb}} \leq T_{\text{max.}}$		0.7	2 3		2	7.5 10	mV
DV_{io}	Input Offset Voltage Drift $T_{\text{min.}} \leq T_{\text{amb}} \leq T_{\text{max.}}$		3	15		6	30	$\mu\text{V}/^{\circ}\text{C}$
I_{ib}	Input Bias Current $T_{\text{amb}} = +25^{\circ}\text{C}$ $T_{\text{min.}} \leq T_{\text{amb}} \leq T_{\text{max.}}$		25	75 100		70	250 300	nA
I_{io}	Input Offset Current $T_{\text{amb}} = +25^{\circ}\text{C}$ $T_{\text{min.}} \leq T_{\text{amb}} \leq T_{\text{max.}}$		1.5	10 20		2	50 70	nA
DI_{io}	Input Offset Current Drift $25^{\circ}\text{C} \leq T_{\text{amb}} \leq T_{\text{max.}}$ $T_{\text{min.}} \leq T_{\text{amb}} \leq T_{\text{max.}}$		10 20	100 200		10 20	300 600	$\text{pA}/^{\circ}\text{C}$
A_{vd}	Large Signal Voltage Gain * ($V_O \leq 10\text{V}$, $R_L = 2\text{k}\Omega$) $T_{\text{amb}} = +25^{\circ}\text{C}$ $T_{\text{min.}} \leq T_{\text{amb}} \leq T_{\text{max.}}$	50 25	100		25 15	100		V/mV
SVR	Supply Voltage Rejection Ratio ($R_S \leq 10\text{k}\Omega$) $T_{\text{amb}} = +25^{\circ}\text{C}$ $T_{\text{min.}} \leq T_{\text{amb}} \leq T_{\text{max.}}$	80 80	96		70 70	96		dB
I_{CC}	Supply Current, no load $T_{\text{amb}} = +25^{\circ}\text{C}$ $T_{\text{min.}} \leq T_{\text{amb}} \leq T_{\text{max.}}$		1.8	3 3		1.8	3 3	mA
V_{icm}	Input Common Mode Voltage Range ($V_{CC} = \pm 20\text{V}$) $T_{\text{amb}} = +25^{\circ}\text{C}$ $T_{\text{min.}} \leq T_{\text{amb}} \leq T_{\text{max.}}$	± 15 ± 15			± 15 ± 15			V
CMR	Common-mode Rejection Ratio ($R_S \leq 10\text{k}\Omega$) $T_{\text{amb}} = +25^{\circ}\text{C}$ $T_{\text{min.}} \leq T_{\text{amb}} \leq T_{\text{max.}}$	80 80	96		70 70	96		dB
I_{OS}	Output Short-circuit Current * $T_{\text{amb}} = +25^{\circ}\text{C}$	10	30	50	10	30	50	mA
$\pm V_{OPP}$	Output Voltage Swing * $T_{\text{amb}} = +25^{\circ}\text{C}$ $R_L = 10\text{k}\Omega$ $R_L = 2\text{k}\Omega$ $T_{\text{min.}} \leq T_{\text{amb}} \leq T_{\text{max.}}$ $R_L = 10\text{k}\Omega$ $R_L = 2\text{k}\Omega$	12 10 12 10	14 13		12 10 12 10	14 13		V

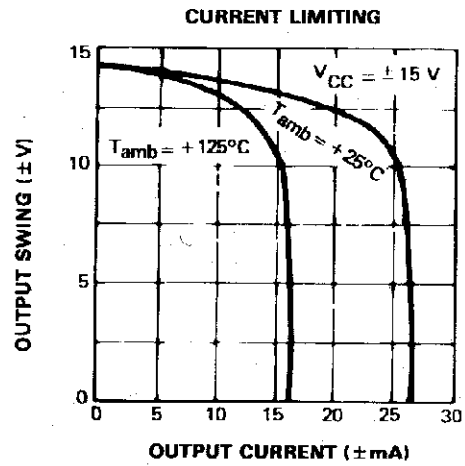
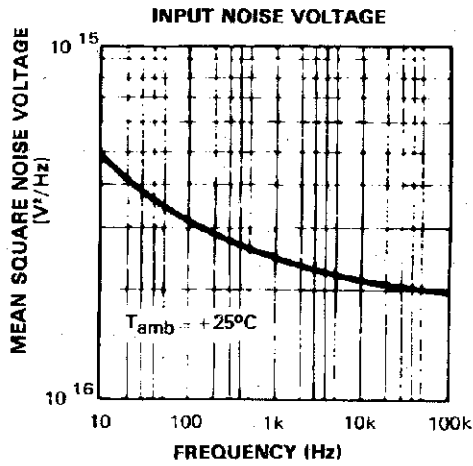
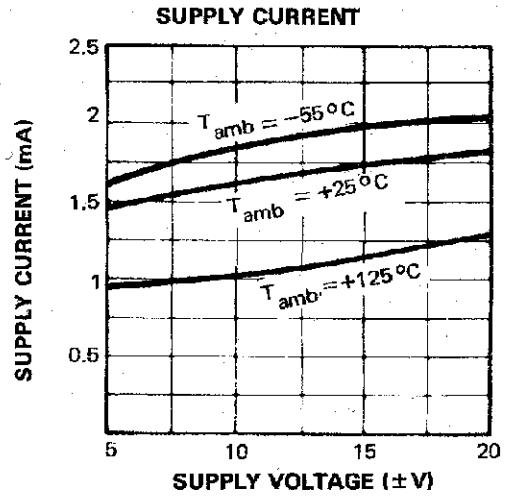
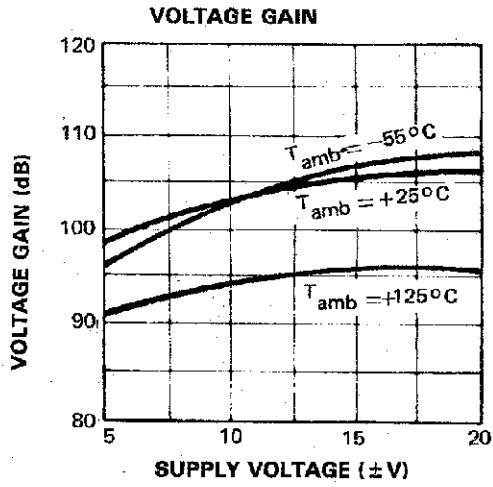
LM101A - LM201A - LM301A

ELECTRICAL CHARACTERISTICS (continued)

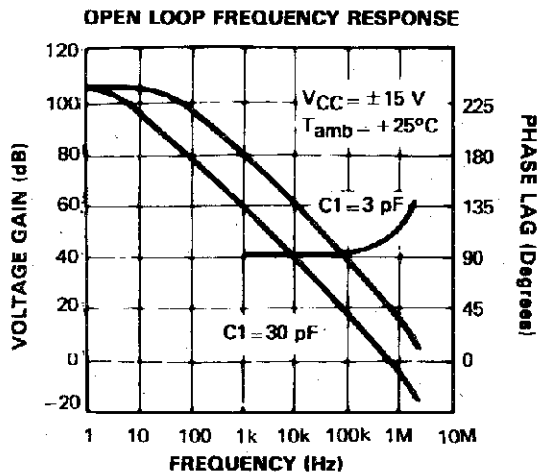
Symbol	Parameter	LM101A - LM201A			LM301A			Unit
		Min.	Typ.	Max.	Min.	Typ.	Max.	
SR	Slew Rate ($V_i = \pm 10V$, $R_L = 2k\Omega$, $C_L = 100pF$, $T_{amb} = 25^\circ C$, unity gain) - (note 1) *	0.25	0.5		0.25	0.5		V/ μs
t_r	Rise Time ($V_i = \pm 20\mu V$, $R_L = 2k\Omega$, $C_L = 100pF$, $T_{amb} = 25^\circ C$, unity gain) *		0.3			0.3		μs
Kov	Overshoot ($V_i = 20mV$, $R_L = 2k\Omega$, $C_L = 100pF$, $T_{amb} = 25^\circ C$, unity gain)		5			5		%
Z_i	Input Impedance *	1.5	4		1.5	4		M Ω
R_o	Output Resistance *		75			75		Ω
GBP	Gain Bandwidth Product * ($V_i = 10mV$, $R_L = 2k\Omega$, $C_L = 100pF$, $f = 100kHz$, $T_{amb} = 25^\circ C$)	0.5	1		0.5	1		MHz
THD	Total Harmonic Distortion ($f = 1kHz$, $A_V = 20dB$, $R_L = 2k\Omega$, $V_O = 2V_{PP}$, $C_L = 100pF$, $T_{amb} = 25^\circ C$)		0.015			0.015		%
e_n	Equivalent Input Noise Voltage ($f = 1kHz$, $R_s = 100\Omega$)		25			25		$\frac{nV}{\sqrt{Hz}}$

Notes : 1. May be improved up to 10V/ μs in inverting amplifier configuration
 * => $V_{CC} = \pm 15V$ $T_{amb} = +25^\circ C$ (unless otherwise specified)

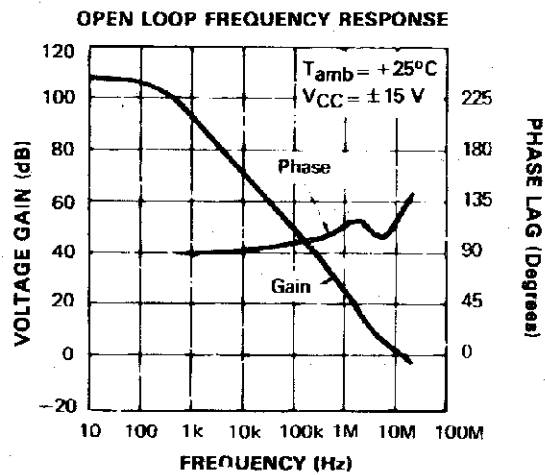




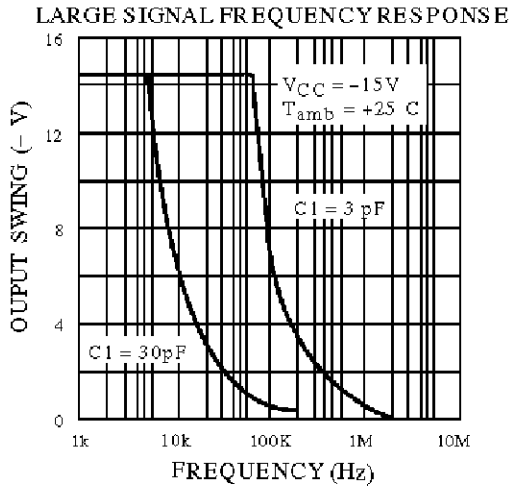
SINGLE POLE COMPENSATION



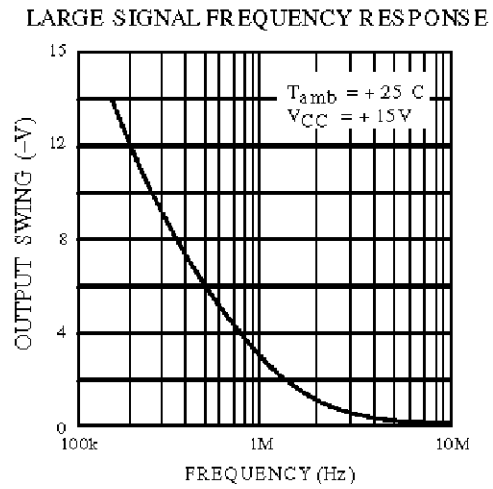
FEED FORWARD COMPENSATION



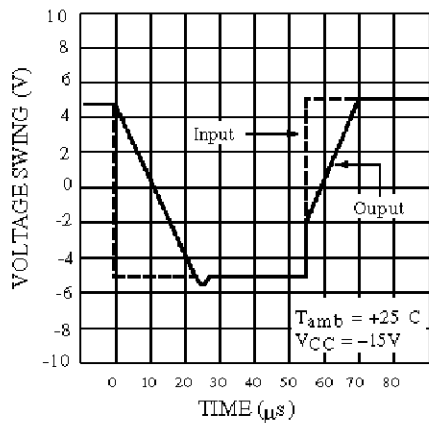
SINGLE POLE COMPENSATION



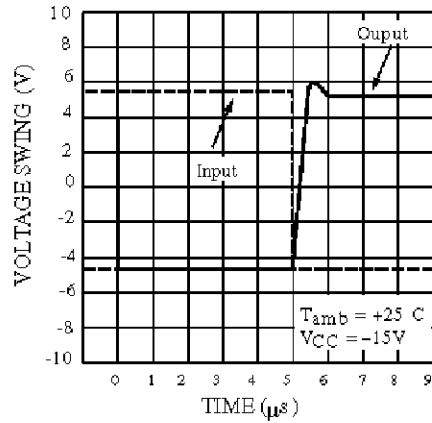
FEED FORWARD COMPENSATION



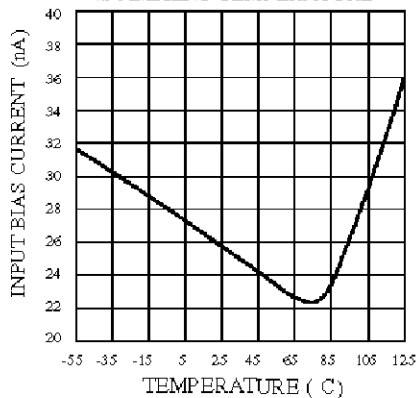
VOLTAGE FOLLOWER PULSE RESPONSE



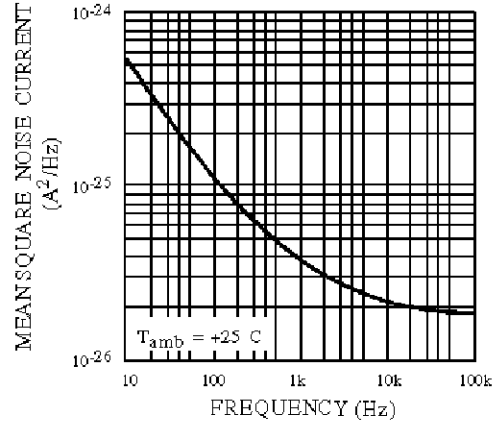
INVERTER PULSE RESPONSE



INPUT BIAS CURRENT vs AMBIENT TEMPERATURE

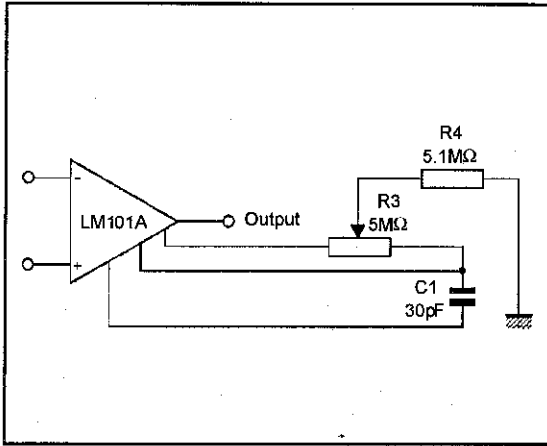


INPUT NOISE CURRENT

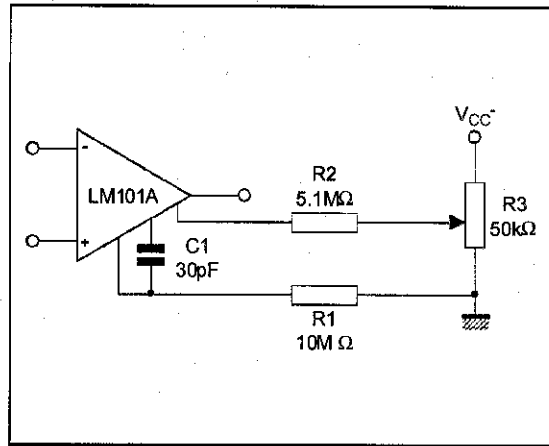


BASIC DIAGRAM

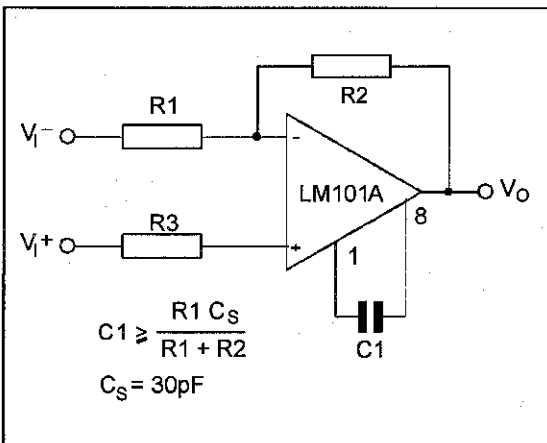
BALANCING CIRCUIT



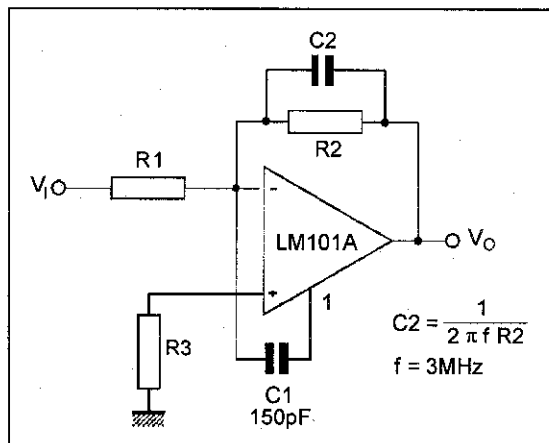
ALTERNATE BALANCING CIRCUIT



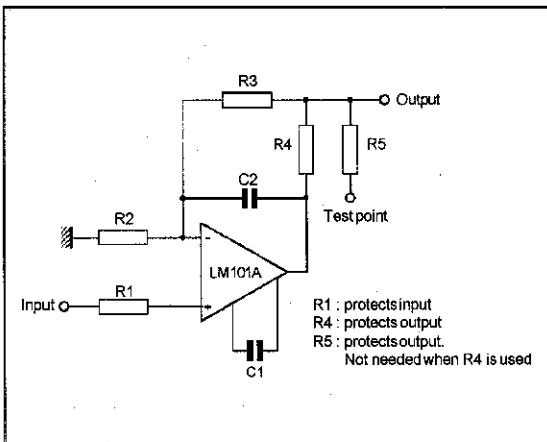
SINGLE POLE COMPENSATION



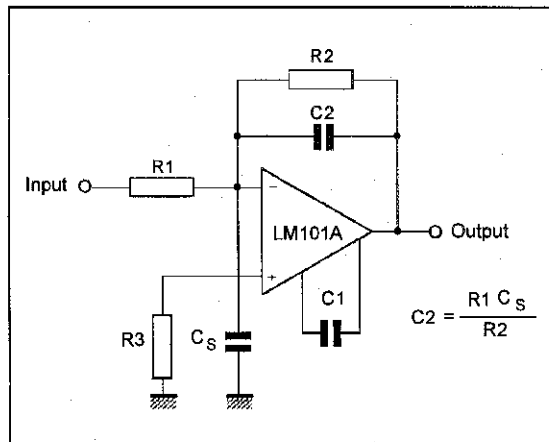
FEEDFORWARD COMPENSATION



PROTECTING AGAINST GROSS FAULT CONDITIONS

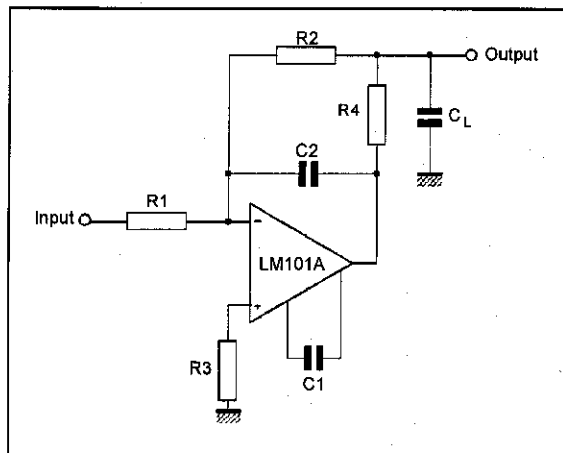


COMPENSATING FOR STRAY INPUT CAPACITANCES OR LARGE FEEDBACK RESISTOR

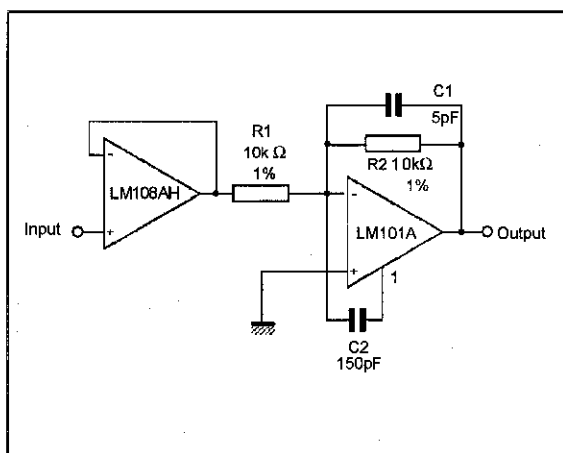


BASIC DIAGRAM (continued)

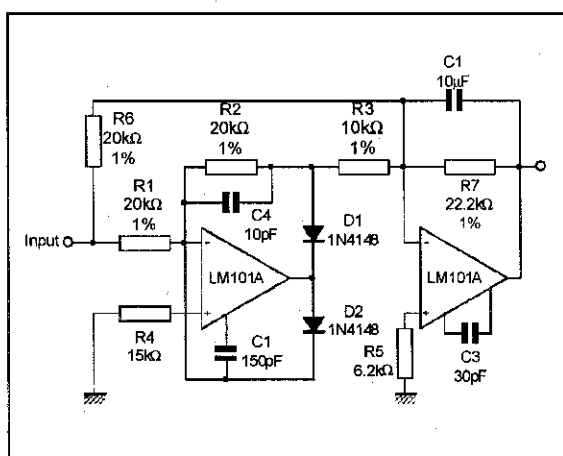
ISOLATING LARGE CAPACITIVE LOAD



FAST AMPLIFIER WITH HIGH INPUT IMPEDANCE

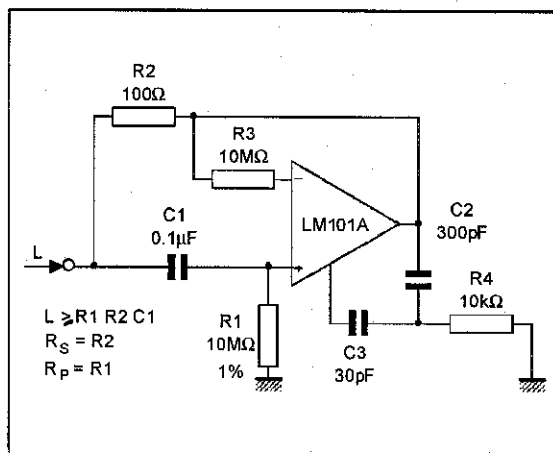


FAST AC/DC CONVERTER

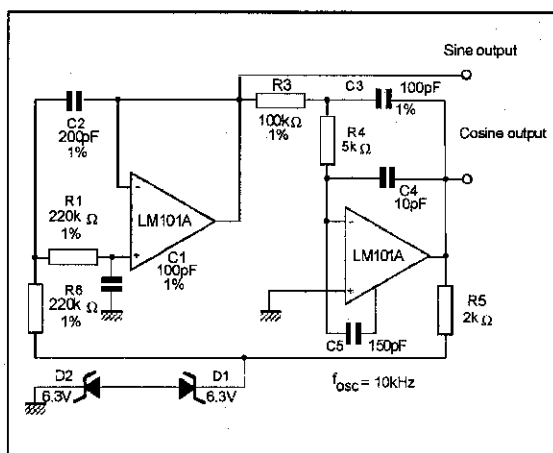


TYPICAL APPLICATIONS

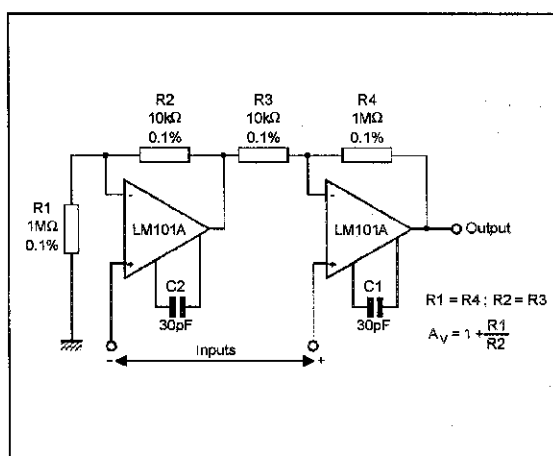
SIMULATED INDUCTOR



SINE WAVE OSCILLATOR

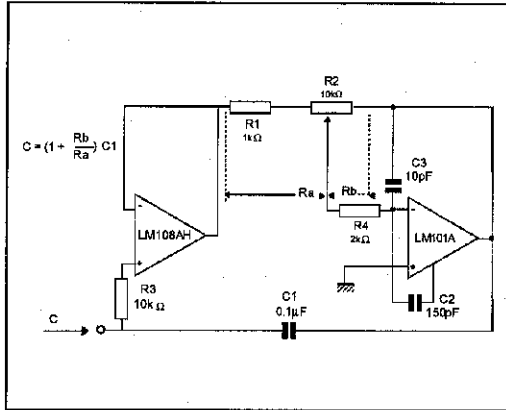


INSTRUMENTATION AMPLIFIER

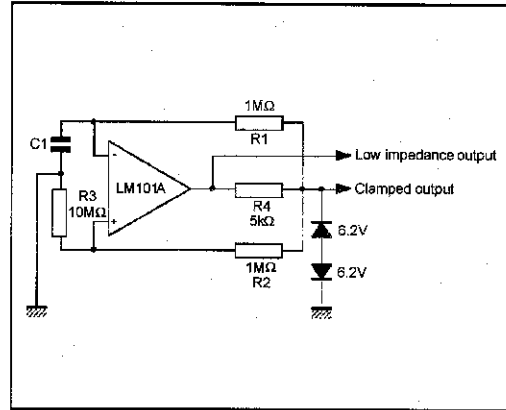


TYPICAL APPLICATIONS (continued)

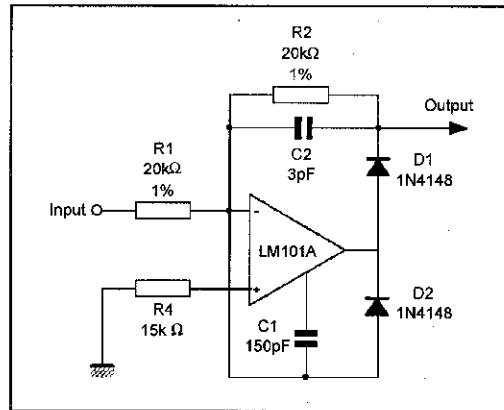
VARIABLE CAPACITANCE MULTIPLIER



LOW FREQUENCY SQUARE WAVE GENERATOR

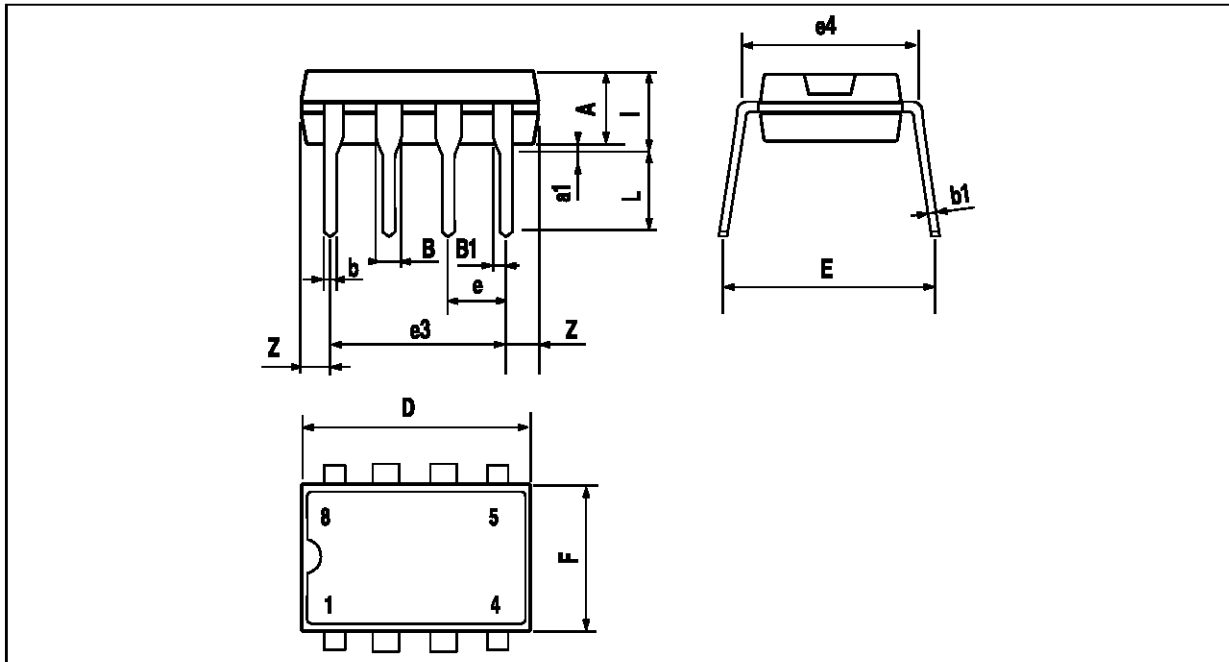


FAST HALF WAVE RECTIFIER



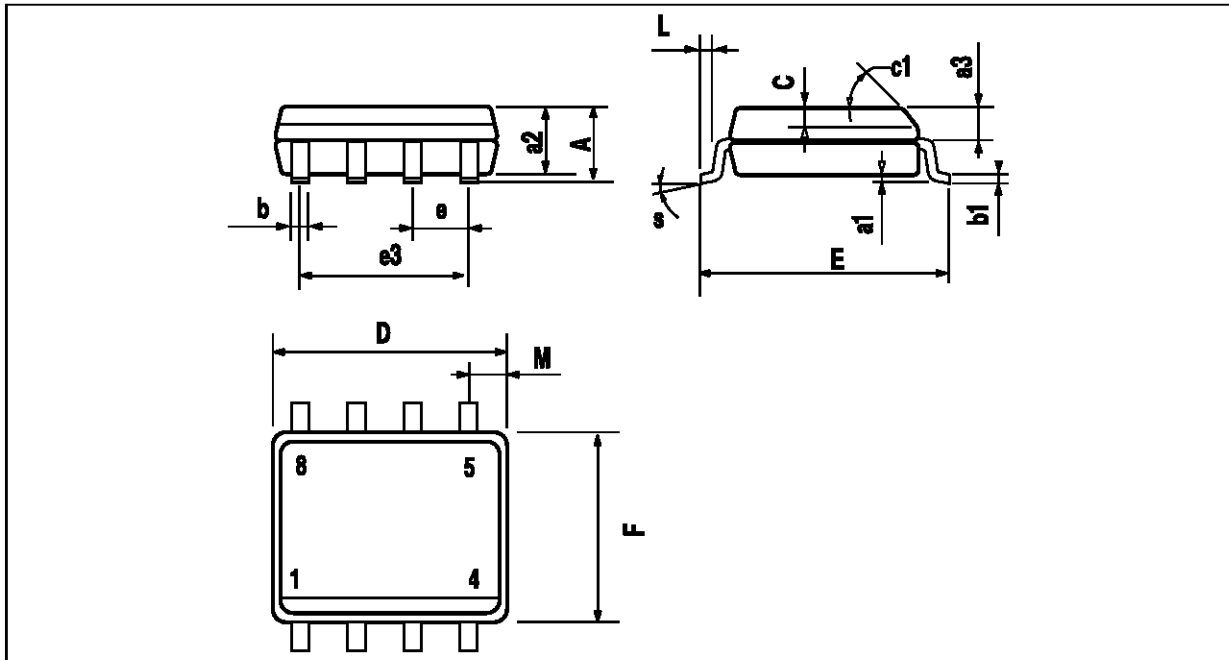
LM101A - LM201A - LM301A

PACKAGE MECHANICAL DATA
8 PINS - PLASTIC DIP



Dim.	Millimeters			Inches		
	Min.	Typ.	Max.	Min.	Typ.	Max.
A		3.32			0.131	
a1	0.51			0.020		
B	1.15		1.65	0.045		0.065
b	0.356		0.55	0.014		0.022
b1	0.204		0.304	0.008		0.012
D			10.92			0.430
E	7.95		9.75	0.313		0.384
e		2.54			0.100	
e3		7.62			0.300	
e4		7.62			0.300	
F			6.6			0.260
i			5.08			0.200
L	3.18		3.81	0.125		0.150
Z			1.52			0.060

PACKAGE MECHANICAL DATA
8 PINS - PLASTIC MICROPACKAGE (SO)



Dim.	Millimeters			Inches		
	Min.	Typ.	Max.	Min.	Typ.	Max.
A			1.75			0.069
a1	0.1		0.25	0.004		0.010
a2			1.65			0.065
a3	0.65		0.85	0.026		0.033
b	0.35		0.48	0.014		0.019
b1	0.19		0.25	0.007		0.010
C	0.25		0.5	0.010		0.020
c1	45° (typ.)					
D	4.8		5.0	0.189		0.197
E	5.8		6.2	0.228		0.244
e		1.27			0.050	
e3		3.81			0.150	
F	3.8		4.0	0.150		0.157
L	0.4		1.27	0.016		0.050
M			0.6			0.024
S	8° (max.)					

Information furnished is believed to be accurate and reliable. However, SGS-THOMSON Microelectronics assumes no responsibility for the consequences of use of such information nor for any infringement of patents or other rights of third parties which may result from its use. No license is granted by implication or otherwise under any patent or patent rights of SGS-THOMSON Microelectronics. Specification mentioned in this publication are subject to change without notice. This publication supersedes and replaces all information previously supplied. SGS-THOMSON Microelectronics products are not authorized for use as critical components in life support devices or systems without express written approval of SGS-THOMSON Microelectronics.

© 1995 SGS-THOMSON Microelectronics – Printed in Italy – All Rights Reserved

SGS-THOMSON Microelectronics GROUP OF COMPANIES
 Australia - Brazil - Canada - China - France - Germany - Hong Kong - Italy - Japan - Korea - Malaysia - Malta - Morocco
 The Netherlands - Singapore - Spain - Sweden - Switzerland - Taiwan - Thailand - United Kingdom - U.S.A.

ORDER CODE :