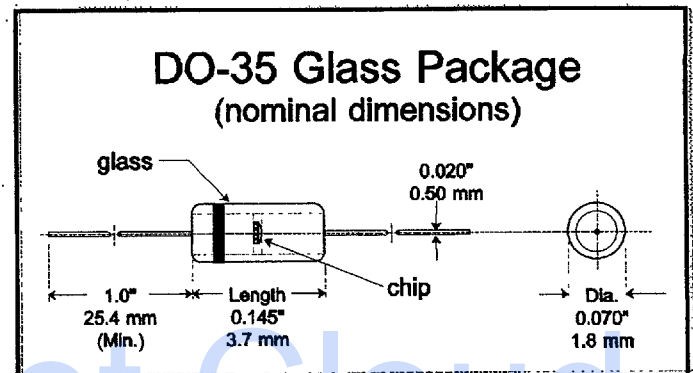


Use Advantages

- For use in clipping and stabilizing circuits, where real protection is needed.
- Competitive glass replacement for plastic DO-35 zener diodes.
- Compatible with all major automatic assembly equipment.
- May be used on ceramic boards along with high temperature IR solder reflow.

Features

- Six Sigma quality
- High surge capability
- Humidity proof glass
- Metallurgically bonded
- Thermally matched system
- No applications restrictions
- BKC's Sigma Bond™ plating for problem free solderability
- Military / Space versions available to Source Control Drawings
- LL-34/35 MELF (DO-213AA) SMD surface mount glass types available



Absolute Maximum Ratings	Symbol	Value	Unit
BKC Power Dissipation at 3/8" from the body, $T_L = 75^\circ\text{C}$	P_{tot}	0.5	Watt
BKC Junction Temperature	T_j	200	$^\circ\text{C}$
Operating and Storage Temperature Range	$T_{\text{Op \& St}}$	-65 to +200	$^\circ\text{C}$

Characteristics at $T = 25^\circ\text{C}$	Symbol	Limit	Unit
BKC Power derating at 3/8" from the body, $T_L = 75^\circ\text{C}$	P_{DR}	4.0 (Max)	mW/ $^\circ\text{C}$
Forward Voltage at $I_F = 200\text{ mA}$	V_F	1.1 (Max)	Volts

LL-34/35 MELF (DO-213AA) surface mount package available, substitute an LL prefix in place of 1N.

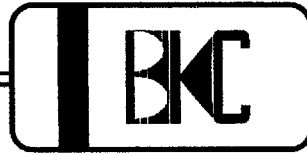
DETAILED SPECIFICATIONS ON REVERSE



6 Lake Street
Lawrence, MA
USA 01841

Telephone (508) 681-0392 • FAX (508) 681-9135

DO-35 glass 0.5 Watt



Zener Diodes

1N5225B thru
1N5282B

Detail
Specifications

Type	Nominal Zener Voltage (V _Z) @ I _{Z1} Volts	Test Current I _{Z1} mA	Maximum Zener Impedance		Typical Temperature Coefficient %/°C	Maximum Reverse Leakage Current		Maximum Regulator Current (I _{ZM}) mA
			(Z _{Z1}) @ I _{Z1} Ohms	(Z _{ZK}) @ I _{ZK} = 0.25mA Ohms		(I _R) μA	@ V _R Volts	
1N5225B	3.0	20	29	1600	-0.075	50	1.0	152
1N5226B	3.3	20	28	1600	-0.070	25	1.0	138
1N5227B	3.6	20	24	1700	-0.065	15	1.0	126
1N5228B	3.9	20	23	1900	-0.060	10	1.0	115
1N5229B	4.3	20	22	2000	-0.055	5	1.0	106
1N5230B	4.7	20	19	1900	+/-0.030	5	2.0	97
1N5231B	5.1	20	17	1600	+/-0.030	5	2.0	89
1N5232B	5.6	20	11	1600	0.038	5	3.0	81
1N5233B	6.0	20	7	1600	0.038	5	3.5	76
1N5234B	6.2	20	7	1000	0.045	5	4.0	73
1N5235B	6.8	20	5	750	0.050	3	5.0	67
1N5236B	7.5	20	6	500	0.058	3	6.0	61
1N5237B	8.2	20	8	500	0.062	3	6.5	55
1N5238B	8.7	20	8	600	0.065	3	6.5	52
1N5239B	9.1	20	10	600	0.068	3	7.0	50
1N5240B	10	20	17	600	0.075	3	8.0	45
1N5241B	11	20	22	600	0.076	2	8.4	41
1N5242B	12	20	30	600	0.077	1	9.1	38
1N5243B	13	9.5	13	600	0.079	0.5	9.9	35
1N5244B	14	9.0	15	600	0.082	0.1	10	32
1N5245B	15	8.5	16	600	0.082	0.1	11	30
1N5246B	16	7.8	17	600	0.083	0.1	12	28
1N5247B	17	7.4	19	600	0.084	0.1	13	27
1N5248B	18	7.0	21	600	0.085	0.1	14	25
1N5249B	19	6.6	23	600	0.086	0.1	14	24
1N5250B	20	6.2	25	600	0.086	0.1	15	23
1N5251B	22	5.6	29	600	0.087	0.1	17	21
1N5252B	24	5.2	33	600	0.087	0.1	18	19.1
1N5253B	25	5.0	35	600	0.089	0.1	19	18.2
1N5254B	27	4.6	41	600	0.090	0.1	21	16.8
1N5255B	28	4.5	44	600	0.091	0.1	21	16.2
1N5256B	30	4.2	49	600	0.091	0.1	23	15.1
1N5257B	33	3.8	58	700	0.092	0.1	25	13.8
1N5258B	36	3.4	70	700	0.093	0.1	27	13
1N5259B	39	3.2	80	800	0.094	0.1	30	12
1N5260B	43	3.0	93	900	0.095	0.1	33	10.5
1N5261B	47	2.7	105	1000	0.095	0.1	36	10
1N5262B	51	2.5	125	1100	0.096	0.1	39	9
1N5263B	56	2.2	150	1300	0.096	0.1	43	8
1N5264B	60	2.1	170	1400	0.097	0.1	46	7.5
1N5265B	62	2.0	185	1400	0.097	0.1	47	7
1N5266B	68	1.8	230	1600	0.097	0.1	52	6.6
1N5267B	75	1.7	270	1700	0.098	0.1	56	6
1N5268B	82	1.5	330	2000	0.098	0.1	62	5.5
1N5269B	87	1.4	370	2200	0.099	0.1	68	5.2
1N5270B	91	1.4	400	2300	0.099	0.1	69	5
1N5271B	100	1.3	500	2600	0.110	0.1	76	4.5
1N5272B	110	1.1	750	3000	0.110	0.1	84	4.1
1N5273B	120	1.0	900	4000	0.110	0.1	91	3.8
1N5274B	130	0.95	1100	4500	0.110	0.1	99	3.5
1N5275B	140	0.90	1300	4500	0.110	0.1	106	3.2
1N5276B	150	0.85	1500	5000	0.110	0.1	114	3
1N5277B	160	0.80	1700	5500	0.110	0.1	122	2.8
1N5278B	170	0.74	1900	5500	0.110	0.1	129	2.6
1N5279B	180	0.68	2200	6000	0.110	0.1	137	2.5
1N5280B	190	0.66	2400	6500	0.110	0.1	144	2.4
1N5281B	200	0.65	2500	7000	0.110	0.1	152	2.3

Voltage tolerance is ± 5%. Use suffix "A" for ± 10% tolerance, and non-suffix part numbers for ± 20% tolerance.

Other tolerances, non-standard and higher zener voltages upon request.

For MELF DO-213AA surface mount package, replace "1N" prefix with "LL".



6 Lake Street
Lawrence, MA
USA 01841

Telephone (508) 681-0392 • FAX (508) 681-9135